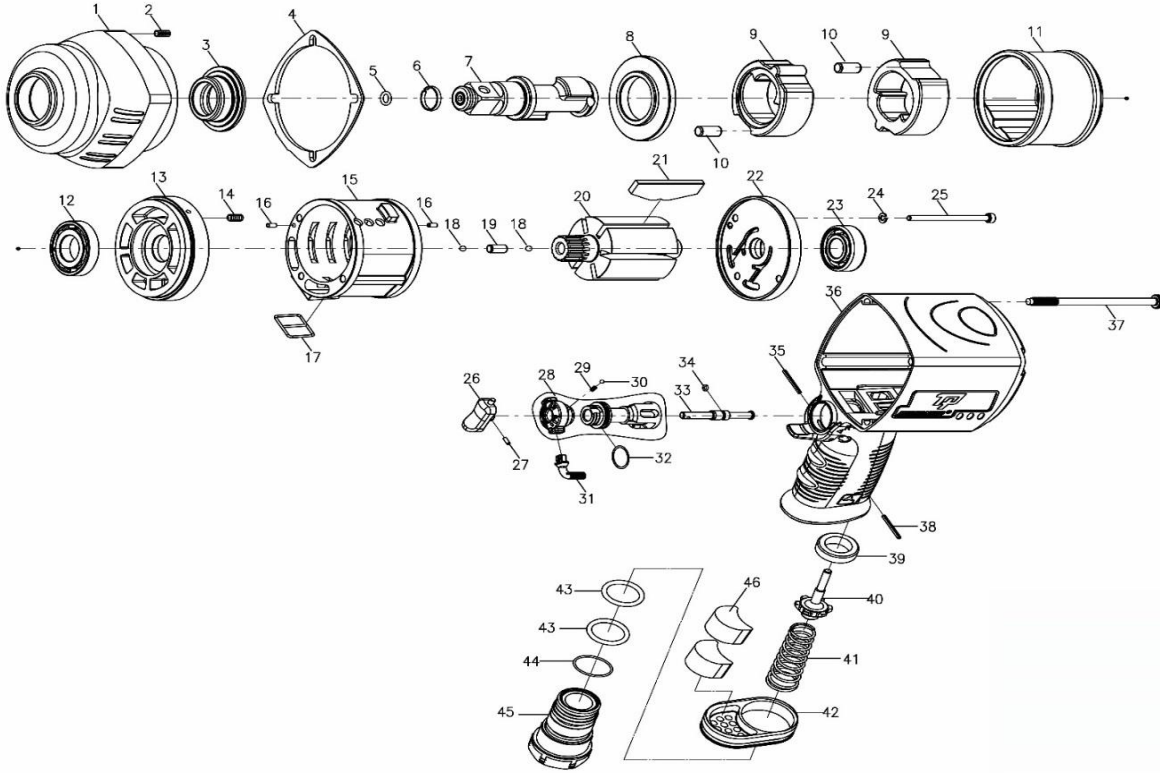


# 3/4" PROFESSIONAL AIR IMPACT WRENCH



TPT-2627-N

Index No.	Part No.	Description	Q'ty
1	2627-002	Hammer Case	1
2	00-4314	Helicoil(M6x1.5D)	4
3	285Q-010	Anvil Bushing	1
4	285Q-020	Front Gasket	1
5	00-4122	O-Ring( $\psi 10 \times \psi 2.1$ )	1
6	280-028	Anvil Collar	1
7	285Q-011A4	Anvil	1
	285Q-011B6	6" Anvil	1
8	285Q-019	Hammer Cage Cover	1
9	285Q-017	Hammer	2
10	0-3482	Pin( $\psi 8 \times 18L$ )	2
11	285Q-012	Hammer Cage	1
12	00-2373	Ball Bearing	1
13	285Q-005	Front End Plate	1
14	00-4301	Helicoil(M4)	3
15	285Q-006	Cylinder	1
16	00-3419	Pin( $\psi 3 \times 6L$ )	2
17	285B-030	Square Ring	1
18	00-3824	Steel Ball( $\psi 4$ )	2
19	00-3464	Pin( $\psi 8 \times 12L$ )	1
20	285Q-007	Rotor	1
21	278H-008D	Rotor Blade	6
22	285Q-009	Rear End Plate	1
23	00-2304	Ball Bearing(6202)	1
24	00-1809	Spring Washer(M4)	3
25	00-0164	Cap Screw(M4x65L)	3

Index No.	Part No.	Description	Q'ty
26	285Q-023	Trigger	1
27	00-3325	Spring Pin( $\psi 2 \times 6L$ )	1
28	285Q-034B	F/R Lever	1
	285B-021	R/F Valve	1
29	305Y-027	Spring	1
30	00-3816	Steel Ball( $\psi 2.5$ )	1
31	243Q-035B	Tab	1
32	00-41111	O-Ring( $\psi 16 \times \psi 1.5$ )	1
33	285Q-029	Trigger pin	1
34	00-4196	O-Ring( $\psi 5 \times \psi 1$ )	1
35	00-3351	Spring Pin( $\psi 2 \times 24L$ )	1
36	2627-001	Motor Housing	1
37	285Q-028	Screw	4
38	00-3306	Spring Pin( $\psi 3 \times 20L$ )	1
39	306-027-B	Bushing	1
40	306-026B	Valve Stem	1
41	285B-037	Spring	1
42	285B-035	Exhaust Deflector	1
43	00-4133	O-Ring ( $\phi 19.8 \times \phi 2.4$ )	2
44	00-4197	O-Ring ( $\phi 19 \times \phi 1$ )	1
45	285B-025A	Air Inlet (3/8"PF)	1
	285B-025B	Air Inlet (3/8"PT)	
	285B-025C	Air Inlet (3/8"NPT)	
46	285B-040B	Muffler	2