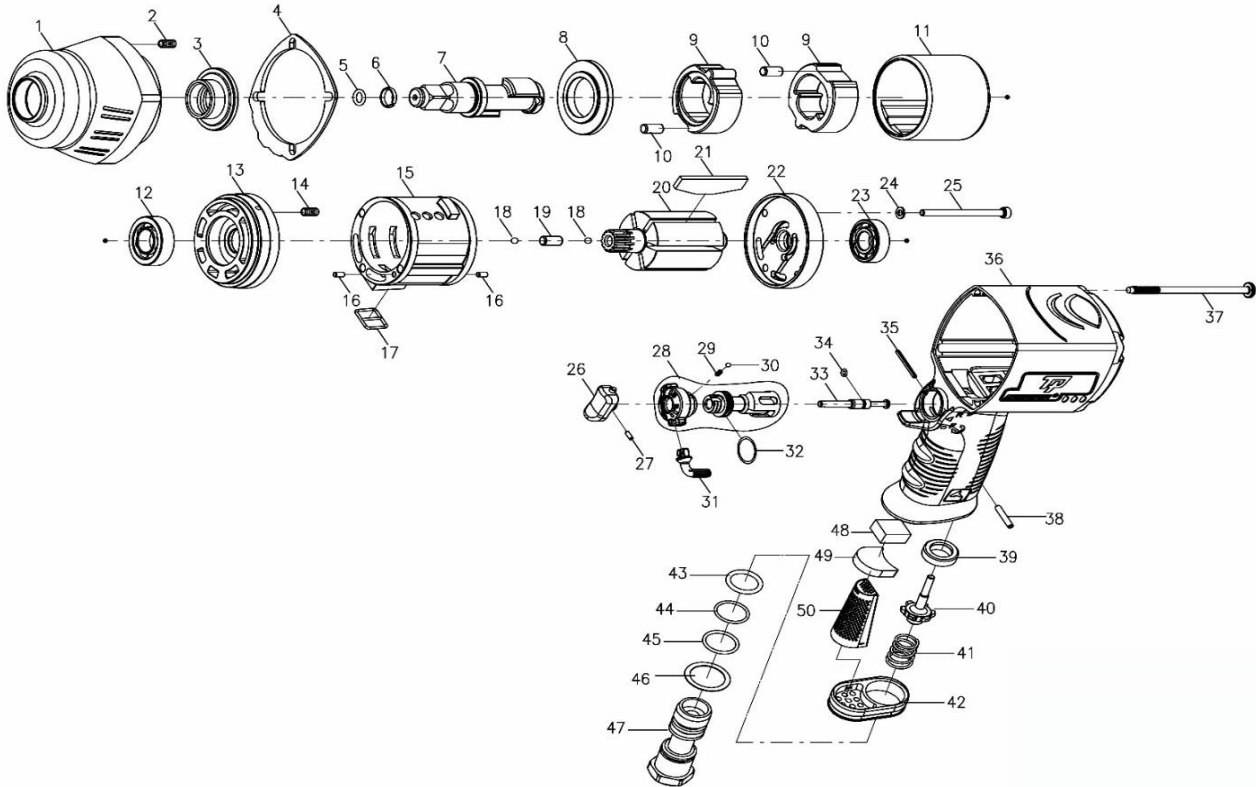


# 1/2" PROFESSIONAL AIR IMPACT WRENCH



TPT-2437-N

Index No.	Part No.	Description	Q'ty
1	2437-002	Hammer Case	1
2	00-4302	Helicoil(M5x1.5D)	4
3	301Q-010	Anvil Bushing	1
4	301Q-020	Front Gasket	1
5	00-4103	O-Ring(P7)	1
6	250-033	Anvil Collar	1
7	301Q-011NA4	Anvil	1
8	301Q-019	Hammer Cage	1
9	301Q-017	Hammer	2
10	00-3481	Pin(ψ7×15.6L)	2
11	301Q-012	Hammer Cage	1
12	00-2313	Ball Bearing(6002)	1
13	301Q-005	Front End Plate	1
14	00-4305	Helicoil(M4x1.5D)	3
15	301Q-006	Cylinder	1
16	00-3419	Pin(ψ3×6L)	2
17	301B-030	Square Ring	1
18	00-3824	Steel Ball(ψ4)	2
19	00-3480	Pin(ψ6×10L)	1
20	301Q-007	Rotor	1
21	305N-008D	Rotor Blade	6
22	301B-009	Rear End Plate	1
23	00-2305	Ball Bearing(6001)	1
24	00-1809	Spring Washer(M4)	3
25	00-0162	Cap Screw(M4x57L)	3
26	243Q-023	Trigger	1
27	00-3325	Spring Pin(ψ2×6L)	1

Index No.	Part No.	Description	Q'ty
28	301Q-034B	F/R Lever	1
	301B-021	R/F Valve(incl. F/R lever)	1
29	305Y-027	Spring	1
30	00-3816	Steel Ball(ψ2.5)	1
31	243Q-035B	Tab	1
32	00-41175	O-Ring(ψ13×ψ1.5)	1
33	301Q-029	Trigger pin	1
34	00-4190	O-Ring(ψ4×ψ1)	1
35	00-3351	Spring Pin(ψ2×24L)	1
36	2437-001	Motor Housing	1
37	301Q-028	Screw	4
38	00-3308	Spring Pin(ψ3×18L)	1
39	306-027-B	Bushing	1
40	306-026B	Valve Stem	1
41	305F-026B	Spring	1
42	305-021	Exhaust Deflector	1
43	00-4126	O-Ring (P16)	1
44	00-4143	O-Ring (Ø17×Ø1.5)	1
45	00-4121	O-Ring (Ø15×Ø1.5)	1
46	305F-032	Washer	1
47	305J-025A	Air Inlet (1/4"PF)	1
	305J-025B	Air Inlet (1/4"PT)	
	305J-025C	Air Inlet (1/4"NPT)	
48	306-035	Muffler	1
49	305V-027B	Muffler	1
50	305F-042	Muffler	1