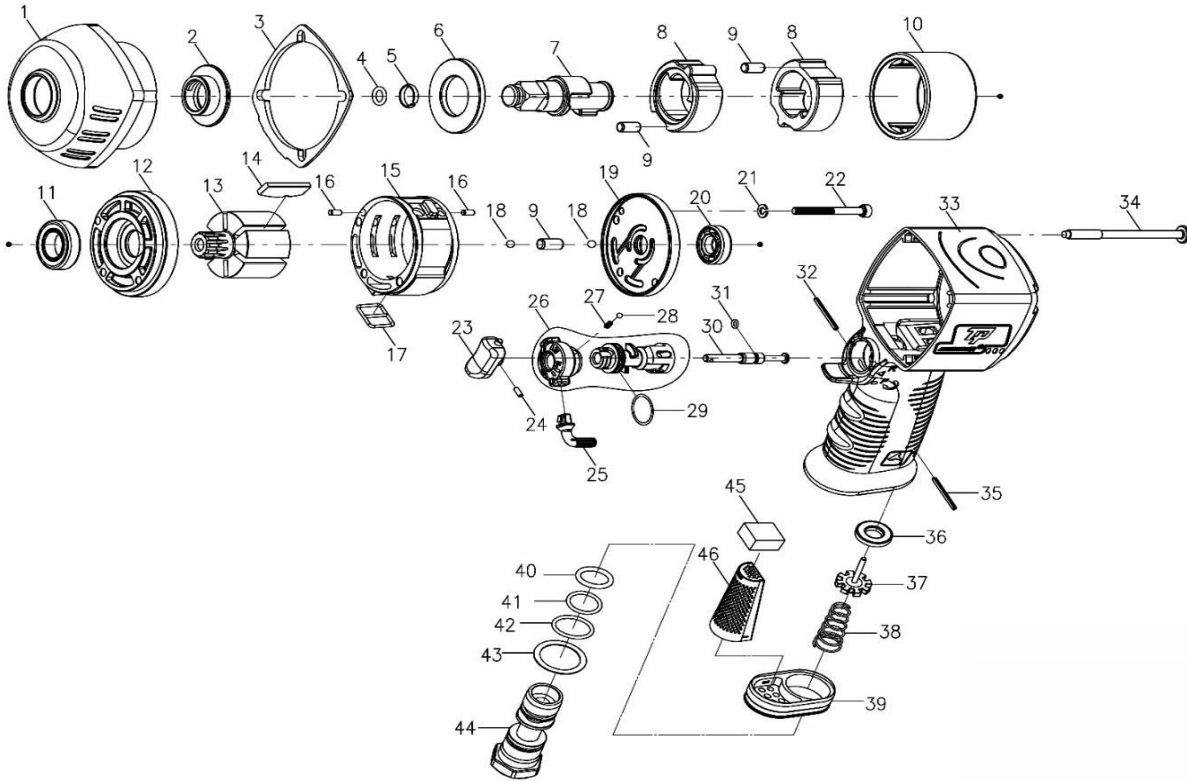


1/2" PROFESSIONAL AIR IMPACT WRENCH



TPT-2224

Index No.	Part No.	Description	Q'ty
1	2224-002	Hammer Case	1
2	243Q-010	Anvil Bushing	1
3	2224-020	Front Gasket	1
4	00-4103	O-Ring(P7)	1
5	250-033	Anvil Collar	1
6	243Q-019	Hammer Cage Cover	1
7	243Q-011NA4	Anvil	1
8	243Q-017	Hammer	2
9	00-3480	Pin($\psi 6 \times 10L$)	3
10	2224-012	Hammer Cage	1
11	00-2349	Ball Bearing(6902ZZ)	1
12	2224-005	Front End Plate	1
13	2224-007	Rotor	1
14	2224-008D	Rotor Blade	6
15	2224-006	Cylinder	1
16	00-3419	Pin($\psi 3 \times 6L$)	2
17	243D-030	Square Ring	1
18	00-3824	Steel Ball($\psi 4$)	2
19	2224-009	Rear End Plate	1
20	00-2326	Ball Bearing(6900)	1
21	00-1809	Spring Washer(M4)	3
22	00-0165	Cap Screw(M4x35L)	3
23	243Q-023	Trigger	1
24	00-3325	Spring Pin($\psi 2 \times 6L$)	1
25	243Q-035B	Tab	1

Index No.	Part No.	Description	Q'ty
26	243Q-034B	F/R Lever	1
	243D-021	R/F Valve(incl. F/R lever)	1
27	305Y-027	Spring	1
28	00-3816	Steel Ball($\psi 2.5$)	1
29	00-41175	O-Ring($\psi 13 \times \psi 1.5$)	1
30	243Q-029	Trigger pin	1
31	00-4190	O-Ring($\psi 4 \times \psi 1$)	1
32	00-3351	Spring Pin($\psi 2 \times 24L$)	1
33	2224-001	Motor Housing	1
34	2224-028	Screw	4
35	00-3308	Spring Pin($\psi 3 \times 18L$)	1
36	243D-024	Bushing	1
37	243D-025	Valve Stem	1
38	2224-027	Spring	1
39	305-021	Exhaust Deflector	1
40	00-4152	O-Ring ($\psi 13.8 \times \psi 2.4$)	1
41	00-41204	O-Ring ($\psi 14 \times \psi 1.78$)	1
42	00-4121	O-Ring ($\psi 15 \times \psi 1.5$)	1
43	305F-032	Washer	1
44	243D-026A	Air Inlet (1/4" PF)	1
	243D-026B	Air Inlet (1/4" PT)	
	243D-026C	Air Inlet (1/4" NPT)	
45	306-035	Muffler	1
46	305F-042	Muffler	1