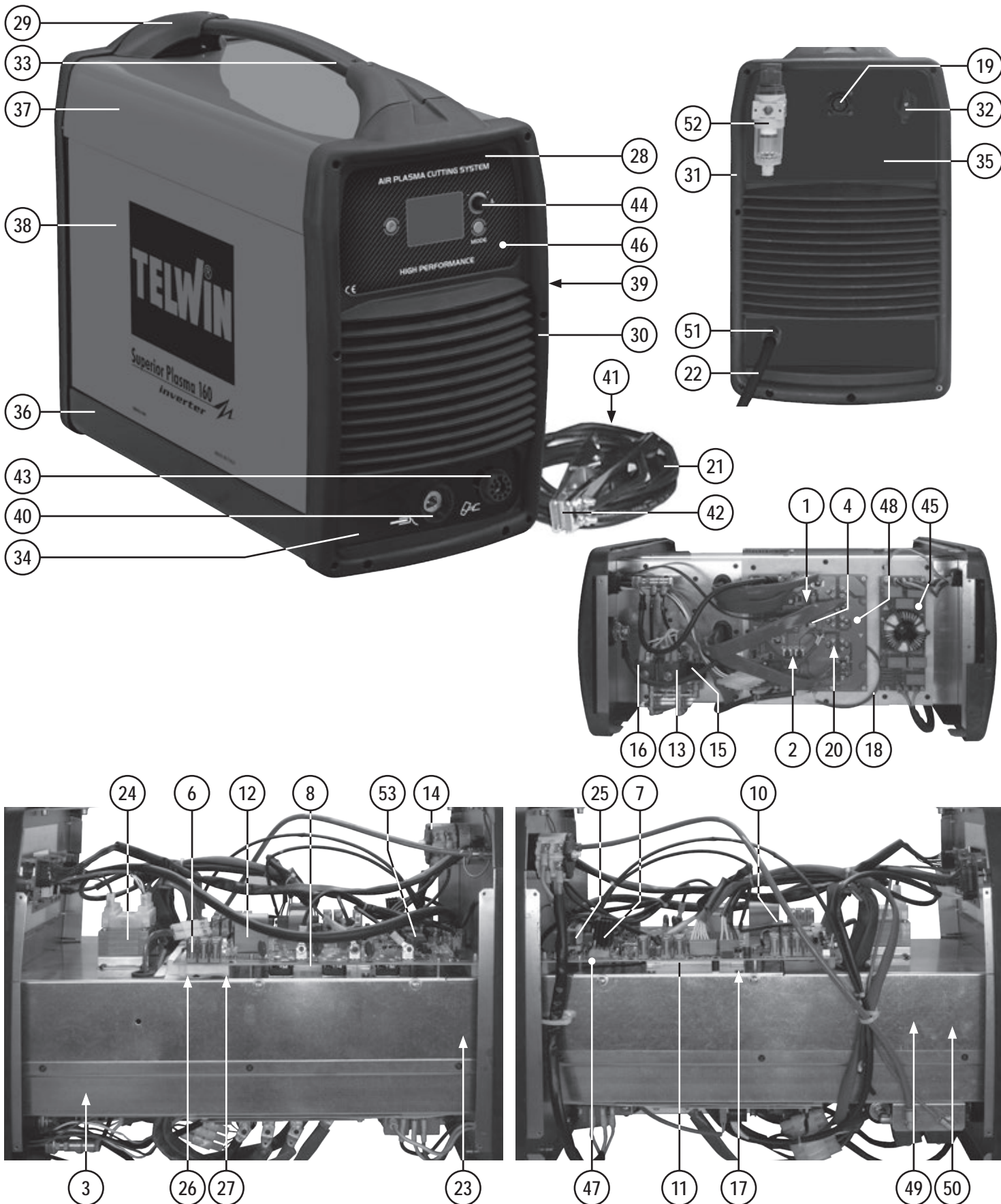


ELENCO PEZZI DI RICAMBIO
 LISTE PIECES DETACHEES
 SPARE PARTS LIST
 ERSATZTEILLISTE
 PIEZAS DE REPUESTO

SUPERIOR PLASMA 160



Esplso macchina, Dessin appareil, Machine drawing, Explosions Zeichnung des Geräts, Diseño seccionado maquina.

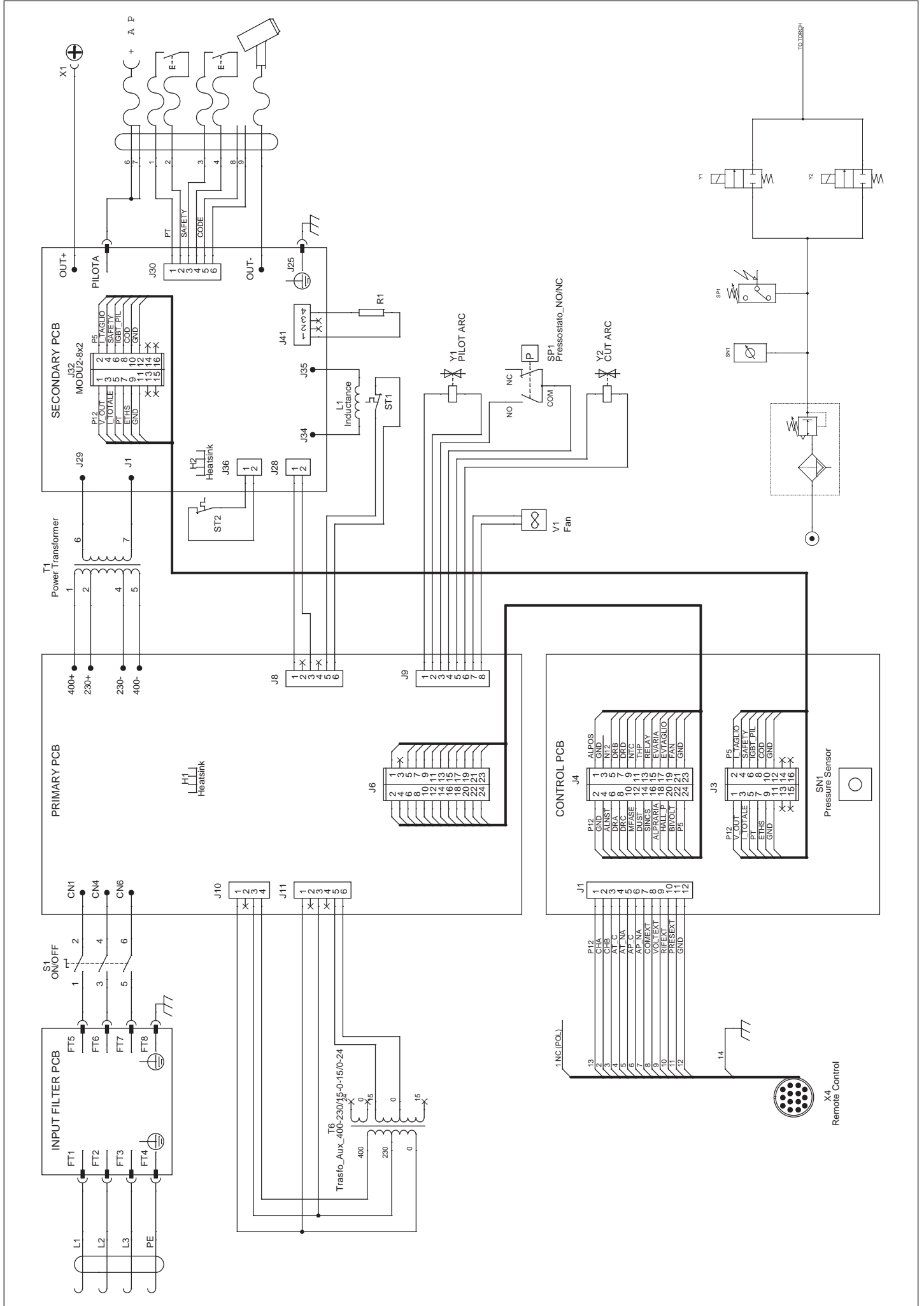


| REF. | ELENCO PEZZI DI RICAMBIO PIECES DETACHEES SPARE PARTS LIST ERSATZTEILLISTE PIEZAS DE REPUESTO | CODICE CODE KODE |
|------|--|------------------------|
| 1 | Igbt Igbt Igbt Igbt Igbt | 111193 |
| 2 | Sensore hall Capteur hall Sensor hall Messfühler hall Sensor hall | 111304 |
| 3 | Resistenza Resistance Resistance Widerstand Resistencia | 111354 |
| 4 | Diode Diode Diode Diode Diode | 112023 |
| 6 | Rele' Relais Relais Relais Relais | 113281 |
| 7 | Igbt Igbt Igbt Igbt Igbt | 111094 |
| 8 | Raddrizzatore Redresseur Rectifier Gleichrichter Rectificador | 116066 |
| 10 | Sensore hall Capteur hall Sensor hall Messfühler hall Sensor hall | 116836 |
| 11 | Kit igbt + diodi Kit igbt + diodes Kit igbt + diodes Kit igbt + dioden Kit igbt + diodos | 982210 |
| 12 | Condensatore Condensateur Condenser Kondensator Condensator | 116882 |
| 13 | Elettrovalvola Electrovanne Electro-valve Elektroventil Electrovalvula | 121803 |
| 14 | Commutatore Commutateur Switch Schalter Commutador | 121505 |
| 15 | Pressostato Pressostat Pressure switch Druckanzeige Presostato | 121750 |
| 16 | Elettrovalvola Electrovanne Electrovalve Elektroventil Electrovalvula | 121800 |
| 17 | Cablaggio ntc Cablage ntc Wire set ntc Kabelsatz ntc Cables ntc | 124228 |
| 18 | Termostato Thermostat Thermostat Thermostat Termostato | 124846 |
| 19 | Cablaggio comando a distanza Cable pour commande a distance Cable for remote control Fernreglerkabel Cable para mando a distancia | 124853 |
| 20 | Kit diodo Kit diode Kit diode Kit diode Kit diode | 990726 |
| 21 | Cavo 0,5 m - dinse Cable 0,5 m - dix Cable 0,5 m - dinse Kabel 0,5 m - dinse Cable 0,5 m - dinse | 124863 |
| 22 | Cavo alim. 4g06.00 L=03.00 Cable alim. 4g06.00 L=03.00 Mains cable 4g06.00 L=03.00 Netzkabel 4g06.00 L=03.00 Cable alim. 4g06.00 L=03.00 | 132361 |
| 23 | Ventilatore Ventilateur Fan Ventilator Ventilador | 152297 |

| REF. | ELENCO PEZZI DI RICAMBIO PIECES DETACHEES SPARE PARTS LIST ERSATZTEILLISTE PIEZAS DE REPUESTO | CODICE CODE KODE |
|------|--|------------------------|
| 24 | Trasformatore ausiliario Transformateur auxiliaire Auxiliary transformer Hilfstransformator Transformador auxiliar | 990598 |
| 25 | Trasformatore Transformateur complet Transformateur complet Trafo Transformateur complet | 169627 |
| 26 | Induttanza primario Inductance primaire Primary inductance Primaer drossel Induccion primario | 169881 |
| 27 | Induttanza Inductance Inductance Drossel Induccion | 169786 |
| 28 | Pannello Panneau Panel Tafel Panel | 315058 |
| 29 | Copertura manico Capot poignee Handlecover Handgriffsdeckel Copertura manija | 322848 |
| 30 | Frontale Partie frontal Front panel Geraetefront Frontal | 322872 |
| 31 | Retro Partie arriere Back panel Rueckseite Trasera | 322873 |
| 32 | Assieme manopola per commutatore Set poigne pour commutateur Switch knob set Umschaltergriff set Set manija para conmutador | 323101 |
| 33 | Manico Poignee Handle Handgriff Manija | 641005 |
| 34 | Frontale Partie frontal Front panel Geraetefront Frontal | 642472 |
| 35 | Retro Partie arriere Back panel Rueckseite Trasera | 642473 |
| 36 | Fondo Chassis Bottom Bodenteil Fondo | 645447 |
| 37 | Mantello Capot Cover Deckel Panel de cobertura | 651149 |
| 38 | Fianco destro Partie laterale droit Side panel right Seitenblech recht Panel derecho | 656178 |
| 39 | Fianco sx Partie lateral Side panel Linkes seitenteil Panel izquierdo | 656179 |
| 40 | Presa dinse dx 50 Prise dix dx 50 Dinse socket dx 50 Dinse steckdose dx 50 Enchufe dinse dx 50 | 712036 |
| 41 | Spina dinse dx 50 Fiche dinse dx 50 Dinse plug dx 50 Dinse stecker dx 50 Enchufe dinse dx 50 | 712040 |
| 42 | Toledo 300 pinza di massa 300a Toledo 300 borne de masse 300a Toledo 300 work clamp 300a Toledo 300 masseklemme 300a Toledo 300 borne de masa 300a | 712231 |
| 43 | Attacco torcia Attelage torche Torch connection Brenneranschluss Enganche soplete | 742642 |
| 44 | Kit manopola encoder Kit poignee encoder Encoder knob kit Encodergriff kit Kit manija encoder | 980520 |

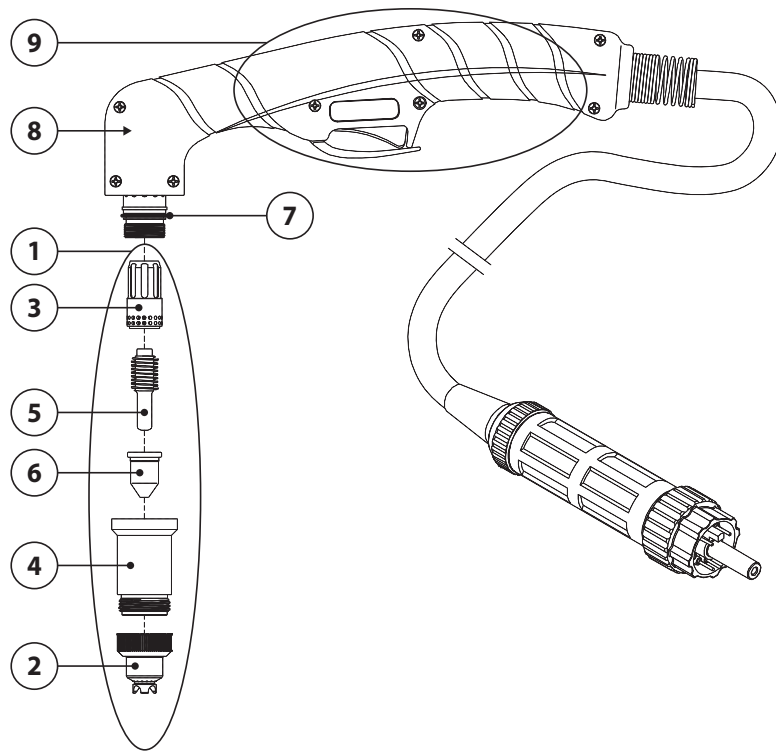
| REF. | ELENCO PEZZI DI RICAMBIO PIECES DETACHEES SPARE PARTS LIST ERSATZTEILLISTE PIEZAS DE REPUESTO | CODICE CODE KODE |
|------|--|------------------------|
| 45 | Kit scheda filtro ingresso Kit platine filtre input Input filter card kit Input filterkarte kit Kit tarjeta filtro input | 980947 |
| 46 | Kit ass. Pannello + scheda Kit panneau + fiche Panel + card kit Tafel + karte kit Panel + tarjeta kit | 981712 |
| 47 | Kit scheda primario Kit fiche primaire Primary pcb kit Primaertrafokarte kit Kit tarjeta primario | 981713 |
| 48 | Kit scheda secondario Kit fiche secondaire Secondary pcb kit Sekundaertrafokarte kit Kit tarjeta secundario | 981714 |
| 49 | Kit trasformatore potenza Kit transformateur puissance Power transformer kit Leistungstransformatorkit Kit transformador de potencia | 981715 |
| 50 | Kit induttanza uscita Kit inductance sortie Output inductance kit Ausgang drossel kit Kit induccion salida | 981716 |
| 51 | Kit pressacavo + ghiera Kit presse cable + embout Kit cable bushing + ring nut Kit kabelhalter + nutmutter Kit prensa cable + virola | 990046 |
| 52 | Riduttore pressione aria Reducteur de pression air Air pressure regulator Luftdruckminderer Reductor presion aire | 120203 |
| 53 | Trasformatore impulsi Transformateur pulsee Pulse transformer Pulse transformator Transformador pulsado | 152261 |

Schema elettrico, Schéma électrique, Diagram, Schaltplan, Esquema de conexiones.



Esploso torcia, Dessin torche, Torch drawing, Schlauchpaket - Explosionszeichnung, Diseño seccionado antorcha.

742653



| REF. | ELENCO PEZZI RICAMBIO TORCIA LISTE PIÉCES DETACHÉES TORCHE SPARE PARTS LIST TORCH ERSATZTEILLISTE SCLAUCHPAKET PIEZAS DE REPUESTO ANTORCHA | CODICE CODE KODE |
|------|--|------------------------|
| 1 | Starter Kit 45 A Kit Consumables 45 A Starter Kit 45 A Starter Kit 45 A Kit De Inicio 45 A | 802958 |
| 1 | Starter Kit 65 A Kit Consumables 65 A Starter Kit 65 A Starter Kit 65 A Kit De Inicio 65 A | 802959 |
| 1 | Starter Kit 85 A Kit Consumables 85 A Starter Kit 85 A Starter Kit 85 A Kit De Inicio 85 A | 802960 |
| 1 | Starter Kit 105 A Kit Consumables 105 A Starter Kit 105 A Starter Kit 105 A Kit De Inicio 105 A | 802961 |
| 1 | Starter Kit 125 A Kit Consumables 125 A Starter Kit 125 A Starter Kit 125 A Kit De Inicio 125 A | 802966 |
| 2 | Kit 2 Schermi 45-85 A Kit 2 Boucliers 45-85 A Kit 2 Shields 45-85 A Kit 2 Schutz 45-85 A Kit 2 Protecciones 45-85 A | 802963 |
| 2 | Kit 2 Schermi 100-150 A Kit 2 Boucliers 100-150 A Kit 2 Shields 100-150 A Kit 2 Schutz 100-150 A Kit 2 Protecciones 100-150 A | 802964 |
| 2 | Kit 3 Schermi Scricatura 125 A Kit 3 Boucliers Decricage 125 A Kit 3 Gouging Shields 125 A Kit 3 Fugenhobeln Schutz 125 A Kit 3 Protecciones Torchado125 A | 804016 |
| 3 | Kit 2 Diffusori 45-85 A Kit 2 Diffuseurs 45-85 A Kit 2 Diffusers 45-85 A Kit 2 Diffusoren 45-85 A Kit 2 Diffusores 45-85 A | 802888 |
| 3 | Kit 2 Diffusori 100-150 A Kit 2 Diffuseurs 100-150 A Kit 2 Diffusers 100-150 A Kit 2 Diffusoren 100-150 A Kit 2 Diffusores 100-150 A | 802891 |
| 4 | Kit 1 Puntale Torcia 45-85 A Kit 1 Embout Torche 45-85 A Kit 1 Torch Safety Cap 45-85 A Kit 1 Schutzkappe 45-85 A Kit 1 Puntale Antorcha 45-85 A | 802887 |
| 4 | Kit 1 Puntale Torcia 100-150 A Kit 1 Embout Torche 100-150 A Kit 1 Torch Safety Cap 100-150 A Kit 1 Schutzkappe 100-150 A Kit 1 Puntale Antorcha 100-150 A | 802890 |

| REF. | ELENCO PEZZI RICAMBIO TORCIA LISTE PIÉCES DETACHÉES TORCHE SPARE PARTS LIST TORCH ERSATZTEILLISTE SCLAUCHPAKET PIEZAS DE REPUESTO ANTORCHA | CODICE CODE KODE |
|------|---|------------------------|
| 5 | Kit 5 Elettrodi 45-150 A Kit 5 Electrodes 45-150 A Kit 5 Electrodes 45-150 A Kit 5 Elektroden 45-150 A Kit 5 Electrodoos 45-150 A | 802889 |
| 6 | Kit 5 Ugelli 45 A Kit 5 Buses 45 A Kit 5 Nozzles 45 A Kit 5 DÜsen 45 A Kit 5 Toberas 45 A | 802892 |
| 6 | Kit 5 Ugelli 65 A Kit 5 Buses 65 A Kit 5 Nozzles 65 A Kit 5 DÜsen 65 A Kit 5 Toberas 65 A | 802893 |
| 6 | Kit 5 Ugelli 85 A Kit 5 Buses 85 A Kit 5 Nozzles 85 A Kit 5 DÜsen 85 A Kit 5 Toberas 85 A | 802894 |
| 6 | Kit 5 Ugelli 105 A Kit 5 Buses 105 A Kit 5 Nozzles 105 A Kit 5 DÜsen 105 A Kit 5 Toberas 105 A | 802895 |
| 6 | Kit 5 Ugelli 125 A Kit 5 Buses 125 A Kit 5 Nozzles 125 A Kit 5 DÜsen 125 A Kit 5 Toberas 125 A | 802896 |
| 6 | Kit 5 Ugelli Scricatura 125 A Kit 5 Buses Decricage 125 A Kit 5 Gouging Nozzles125 A Kit 5 Fugenhobeln DÜsen 125 A Kit 5 Toberas Torquado 125 A | 804017 |
| 7 | Kit 10 O-ring - Torcia Px-pxa Kit 10 O-ring - Torche Px-pxa Kit 10 O-ring - Px-pxa Torch Kit 10 O-ring - Px-pxa Brenner Kit 10 O-ring - Antorcha Px-pxa | 804053 |
| 8 | Corpo Torcia Corps Torche Torch Body Schlauchpacketeil Cuerpo De Antorcha | 742748 |
| 9 | Impugnatura + Pulsante Poignee + Poussoir Handle + Pushbutton Handgriff + Druckknopf Empunadura + Pulsador | 742749 |

| REF. | ELENCO PEZZI RICAMBIO TORCIA LISTE PIÉCES DETACHÉES TORCHE SPARE PARTS LIST TORCH ERSATZTEILLISTE SCLAUCHPAKET PIEZAS DE REPUESTO ANTORCHA | CODICE CODE KODE |
|------|--|------------------------|
| | | |
| | | |
| | | |
| | | |
| | | |
| | | |
| | | |
| | | |
| | | |