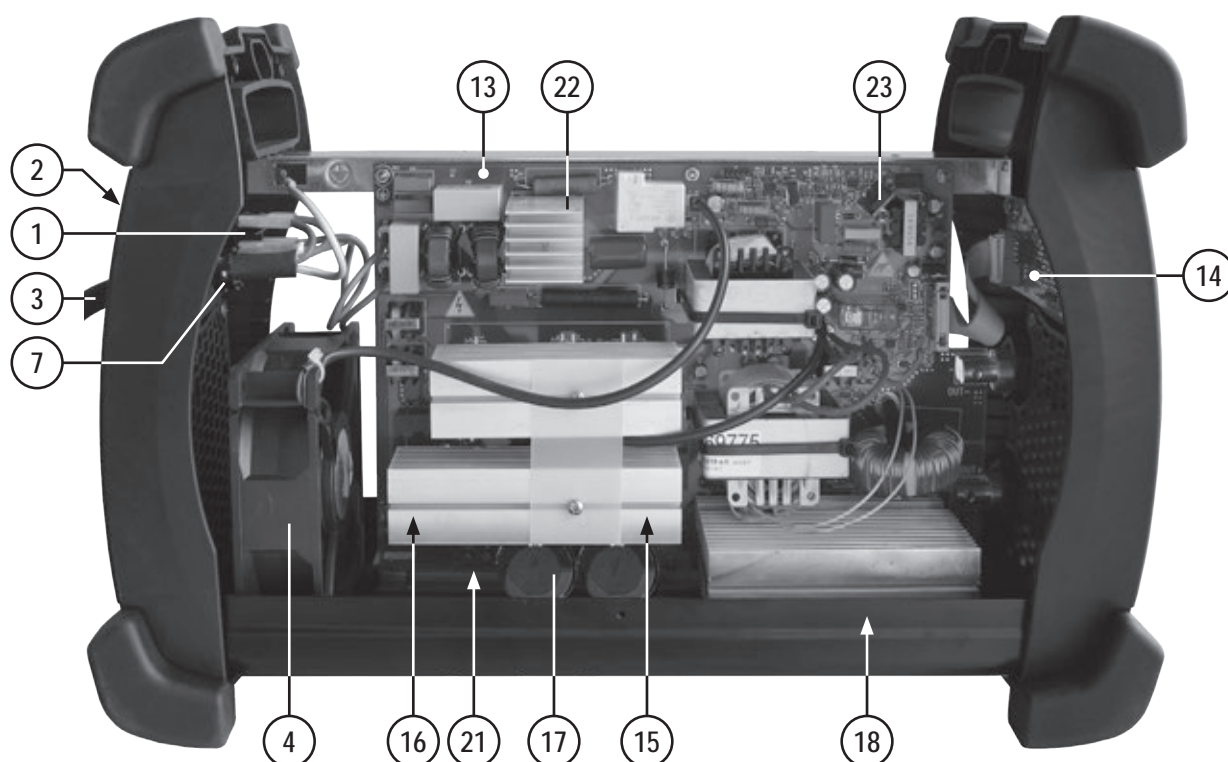


ELENCO PEZZI DI RICAMBIO
 LISTE PIECES DETACHEES
 SPARE PARTS LIST
 ERSATZTEILLISTE
 PIEZAS DE REPUESTO

ADVANCE 227 XT MV/PFC VRD



Esplodo macchina, Dessin appareil, Machine drawing, Explosions Zeichnung des Geräts, Diseño seccionado maquina.



REF.	ELENCO PEZZI DI RICAMBIO PIECES DETACHEES SPARE PARTS LIST ERSATZTEILLISTE PIEZAS DE REPUESTO	CODICE CODE KODE
1	Interruttore Interrupteur Switch Schalter Interruptor	121248
2	Copri interruttore Couvre interrupteur Switch cover Schalterdeckel Cubre interruptor	122353
3	Cavo alim. H07m-f 3g02.50 L=02.30 Cable alim. H07m-f 3g02.50 L=02.30 Mains cable h07m-f 3g02.50 L=02.30 Netzkabel h07m-f 3g02.50 L=02.30 Cable alim. H07m-f 3g02.50 L=02.30	132389
4	Ventilatore Ventilateur Fan Ventilator Ventilador	152323
7	Kit pressacavo + ghiera Kit presse cable + embout Kit cable bushing + ring nut Kit kabelhalter + nutmutter Kit prensa cable + virola	990046
8	Manico Poignee Handle Handgriff Manija	635011
9	Kit prese dx 50mmq Kit prises dix dx 50mmq Dx sockets kit 50mmq Dx stecker kit 50mmq Kit enchufe dx 50mmq	981878
10	Kit manopola encoder d.29 Kit poignee encoder d.29 Encoder knob kit d.29 Encodergriff kit d.29 Kit manija encoder d.29	982070
11	Kit mantello Kit capot Cover kit Deckel kit Kit panel de cobertura	982148
12	Kit fondo Kit chassis Bottom kit Bodenteil kit Kit fondo	982149
13	Kit scheda potenza Kit carte puissance Power board kit Leistungskartkit Kit tarjeta potencia	982150
14	Kit scheda pannello Kit platine frontal Front panel card kit Gerätefrontskarte kit Kit tarjeta frontal	982151

REF.	ELENCO PEZZI DI RICAMBIO PIECES DETACHEES SPARE PARTS LIST ERSATZTEILLISTE PIEZAS DE REPUESTO	CODICE CODE KODE
15	Kit igbt Kit igbt Kit igbt Kit igbt Kit igbt	982153
16	Kit igbt + diodi Kit igbt + diodes Kit igbt + diodes Kit igbt + dioden Kit igbt + diodos	982154
17	Kit condensatori Kit condensateurs Condenser kit Kondensator kit Kit condensatores	982155
18	Kit diodi Kit diodes Diodes kit Dioden kit Kit diodos	982156
19	Retro bumpers Partie arriere bumpers Bumpers back panel Bumpers rückseite Trasera bumpers	323107
20	Frontale bumpers Partie frontal bumpers Bumpers front panel Bumpers gerätefront Frontal bumpers	321335
21	Kit scheda controllo Kit fiche de controle Control pcb kit Kontrollkarte kit Kit tarjeta de control	981230
22	Kit ponte monofase Kit pont monophasé Single phase bridge kit Einphasige brücke kit Kit puente monofasico	981581
23	Kit mosfet flyback Kit mosfet flyback Mosfet flyback kit Mosfet flyback kit Kit mosfet flyback	981585

REF.	ELENCO PEZZI DI RICAMBIO PIECES DETACHEES SPARE PARTS LIST ERSATZTEILLISTE PIEZAS DE REPUESTO	CODICE CODE KODE

Schema elettrico, Schéma électrique, Diagram, Schaltplan, Esquema de conexiones.

