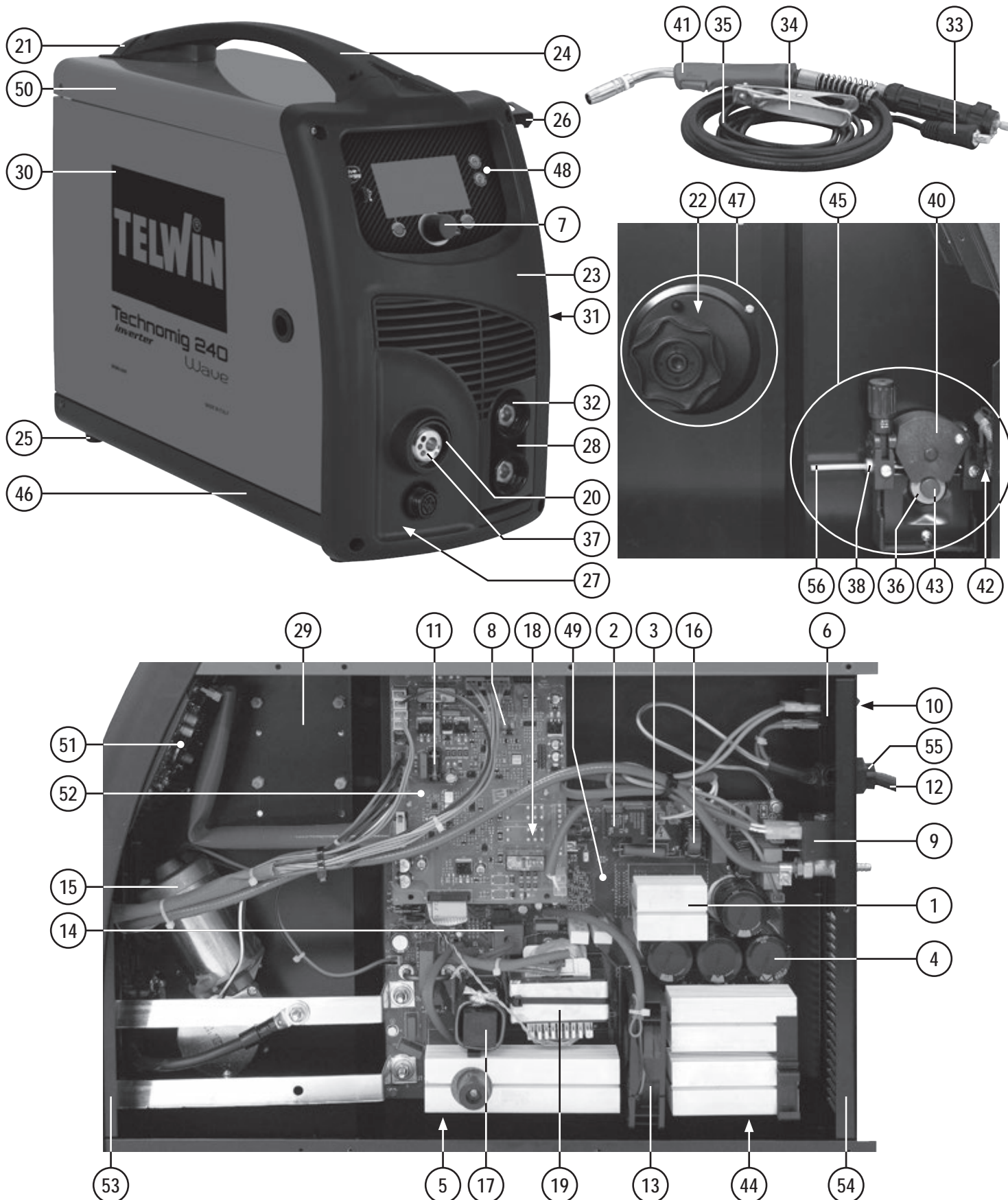


ELENCO PEZZI DI RICAMBIO  
 LISTE PIECES DETACHEES  
 SPARE PARTS LIST  
 ERSATZTEILLISTE  
 PIEZAS DE REPUESTO

# TECHNOMIG 240 WAVE



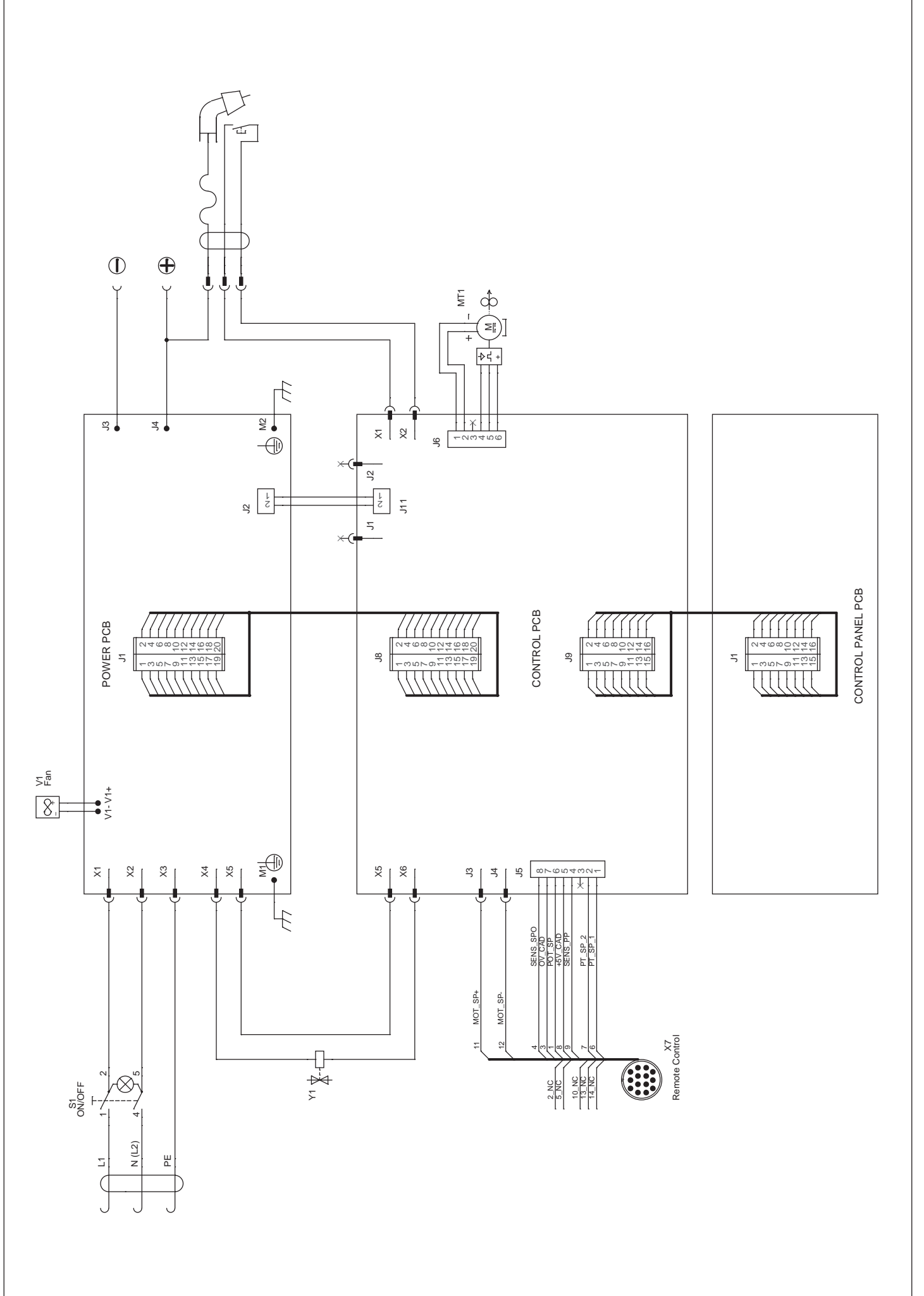
Esplso macchina, Dessin appareil, Machine drawing, Explosions Zeichnung des Geräts, Diseño seccionado maquina.



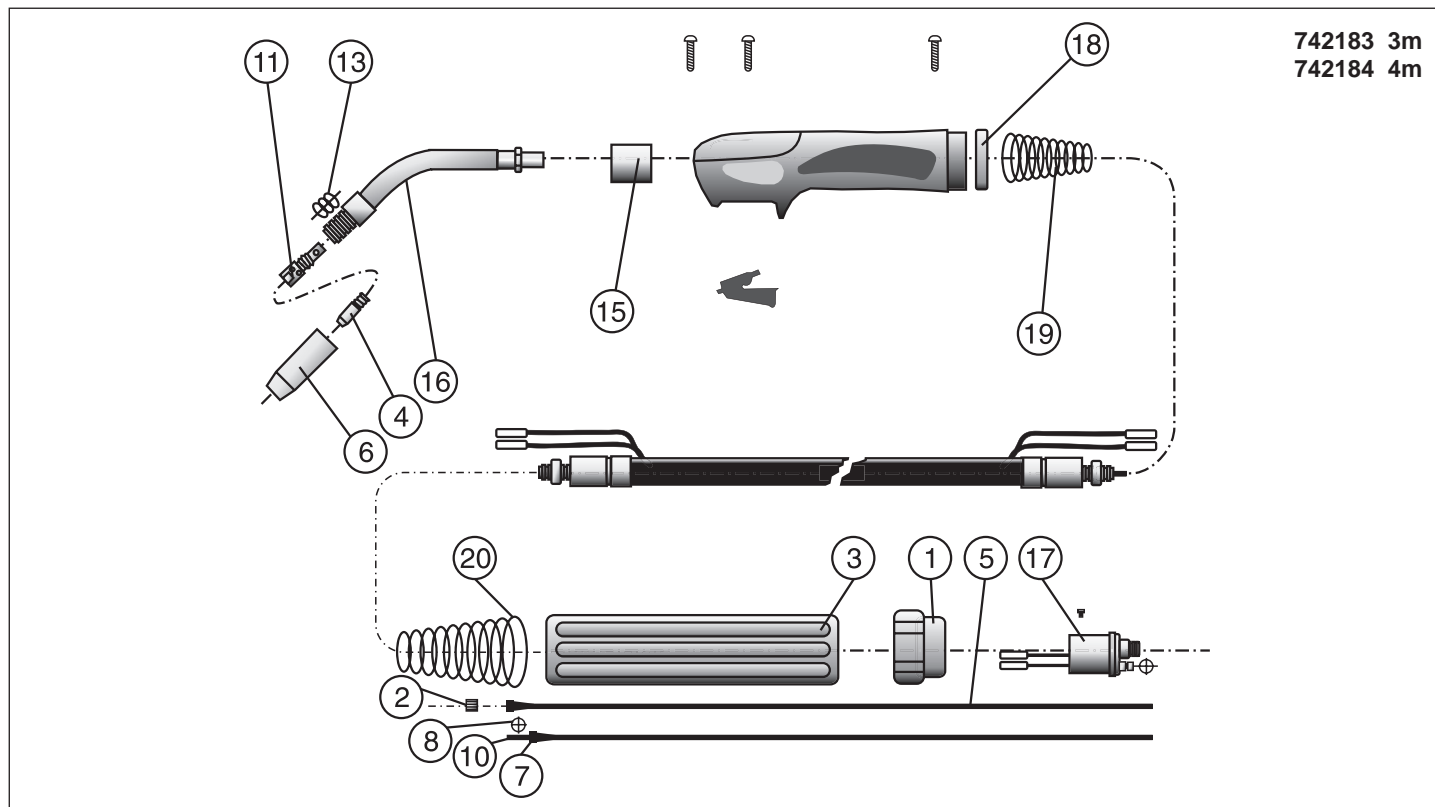
REF.	ELENCO PEZZI DI RICAMBIO PIECES DETACHEES SPARE PARTS LIST ERSATZTEILLISTE PIEZAS DE REPUESTO	CODICE CODE KODE
1	Ponte monofase Pont monophase Single phase bridge Einfasige brücke Puente monofasico	111017
2	Rele Relais Relais Conectador	111211
3	Resistenza Resistance Resistance Widerstand Resistencia	112048
4	Condensatore Condensateur Capacitor Kondensator Condensador	112694
5	Diode Diode Diode Diode Diode	116839
6	Interruttore Interrupteur Switch Schalter Interruptor	121248
7	Kit manopola encoder d.29 Kit poignee encoder d.29 Encoder knob kit d.29 Encodergriff kit d.29 Kit manija encoder d.29	982070
8	Fusibile Fusible Fuse Sicherung Fusible	121456
9	Elettrovalvola Electrovanne Electrovalve Elektroventil Electrovalvula	121800
10	Copri interruttore Couvre interrupteur Switch cover Schalterdeckel Cubre interruptor	122353
11	Fusibile Fusible Fuse Sicherung Fusible	122434
12	Cavo alimentazione Cable de reseau Mains cable Netzkabel Cable de alimentation	132157
13	Ventilatore Ventilateur Fan Ventilator Ventilador	152006
14	Ta Ta Ta Ta Ta	152296
15	Motoriduttore 24vdc + sensore hall Motoriducteur 24vdc + sonde hall Motoreducer 24vdc + hall sonde Motoriduktor 24vdc + hall probe Motoriductor 24vdc + sonda hall	153053
16	Induttanza filtro Inductance filter Filter inductance Filter drossel Induccion filtro	164741
17	Induttanza uscita Inductance output Output inductance Output drossel Induccion output	169808
18	Trasformatore flyback ausiliario Transformateur flyback auxiliaire Flyback auxiliary transformer Flyback hilfstransformator Transformador flyback auxiliar	169862
19	Trasformatore potenza Transformateur puissance Power transformer Leistungstransformator Transformador de potencia	169924
20	Protezione attacco torcia Support isolant torche Torch connection protection Brennersolierlager Sosten isolator antorcha	312105
21	Copertura manico Capot poignee Handlecover Handgriffsdeckel Copertura manija	321142

REF.	ELENCO PEZZI DI RICAMBIO PIECES DETACHEES SPARE PARTS LIST ERSATZTEILLISTE PIEZAS DE REPUESTO	CODICE CODE KODE
22	Distanziale per aspo Entretroise pour support bobine Reel spacer Distanzstueck Espaciador por aspa	321210
23	Frontale Partie frontal Front panel Gerätefront Frontal	321367
24	Manico Poignee Handle Handgriff Manija	322883
25	Piedino Embout Foot Fuss Pie	323001
26	Gancio appendi torcia Accrocheur torche Torch hook Haken fuer brenner Gancho fijacion antorcha	645704
27	Supporto presa Supporto presa Supporto presa Supporto presa Supporto presa	645714
28	Supporto dinse Support dinse Dinse holder Dinse halterung Sosten dinse	645728
29	Diaframma Diaphragme Diaphragm Diaphragma Diafragma	645921
30	Sportello Guichet Door Tuer Portezuela	656255
31	Fianco Fianco Fianco Fianco Fianco	656256
32	Presa dinse dx 50 Prise dix dx 50 Dinse socket dx 50 Dinse steckdose dx 50 Enchufe dinse dx 50	712036
33	Spina dinse dx 50 Fiche dinse dx 50 Dinse plug dx 50 Dinse stecker dx 50 Enchufe dinse dx 50	712040
34	Toledo 300 pinza di massa 300a Toledo 300 borne de masse 300a Toledo 300 work clamp 300a Toledo 300 masseklemme 300a Toledo 300 borne de masa 300a	712231
35	Cavo 25mmq 3m-pinza massa-dx 50 Cable 25mmq 3m-pince masse-dx 50 Cable 25mmq 3m-work clamp-dx 50 Kabel 25mmq 3m-massezange-dx 50 Cable 25mmq 3m-pinza masa-dx 50	713192
36	Rullino d. 0,6-0,8 Mm fe Galet d. 0,6-0,8 Mm fe Feed roll d. 0,6-0,8 Mm fe Vorschubrolle d. 0,6-0,8 Mm fe Roldana d. 0,6-0,8 Mm fe	722112
37	Attacco torcia Attelage torche Torch connection Brenneranschluss Enganche soplete	723229
38	Entrata guidafile Entree guide fil Wire guide inlet Drahtfuehrungsseeleingang Entrata vaina guaidera alambre	742064
39	Rullino d. 0,8-1 Mm al Galet d. 0,8-1 Mm al Feed roll d. 0,8-1 Mm al Vorschubrolle d. 0,8-1 Mm al Roldana d. 0,8-1 Mm al	742090
40	Ancora controrullino Ancre contre-galet Anchor for pressure roller Anker für gegenrolle Ancora para contra roldana	742096
41	Mt25 torcia mig 3 m Mt25 torche mig 3 m Mt25 mig torch 3 m Mt25 mig brenner 3 m Mt25 antorcha mig 3 m	742183
42	Tubo capillare ø 2x5 Tuyau capillaire ø 2x5 Wire conduit ø 2x5 Kapillarrohr ø 2x5 Tubo capilar ø 2x5	742365

REF.	ELENCO PEZZI DI RICAMBIO PIECES DETACHEES SPARE PARTS LIST ERSATZTEILLISTE PIEZAS DE REPUESTO	CODICE CODE KODE
43	Vite bloccarullino Vis ferme galet Rollerfixing screw Rollerhalterschraube Tornillo bloque roldana	742397
44	Kit igbt + diodo Kit igbt + diode Kit igbt + diode Kit igbt + diode Kit igbt + diode	981293
45	Kit traino due rulli Kit devoidir 2 roleaux Kit 2 rolls wrefeeder Kit 2 raeder drahtvorschub Kit alimentador de hilo 2 rollos	981496
46	Kit fondo Kit chassis Bottom kit Bodenteil kit Kit fondo	981498
47	Kit aspo 15kg Kit support bobine 15kg Reel kit 15kg Wickler kit 15kg Kit aspa 15kg	981703
48	Kit supporto display Kit support display Display holder kit Display halterung kit Kit soporte display	981810
49	Kit scheda potenza Kit carte puissance Power board kit Leistungskarte Kit tarjeta potencia	981925
50	Kit mantello Kit capot Cover kit Deckel kit Kit panel de cobertura	981996
51	Kit scheda tft Kit platine tft Tft card kit Tft karte kit Kit tarjeta tft	982043
52	Kit scheda controllo Kit carte controle Control board kit Steuerungskarte kit Kit tarjeta control	982044
53	Kit frontale Kit partie frontal Front panel kit Gerätefront kit Kit frontal	982189
54	Kit retro Kit partie arriere Back panel kit Rückseite kit Kit trasera	982190
55	Kit pressacavo + ghiera Kit presse cable + embout Kit cable bushing + ring nut Kit kabelhalter + nutmutter Kit prensa cable + virola	990046
56	Kit guaina entrata motore Kit gaine entree moteur Gas hose kit Drahtfuehrungsseelekit Kit vaina guaidera alambre	990097



## Esploso torcia, Dessin torche, Torch drawing, Schlauchpaket - Explosionszeichnung, Diseño seccionado antorcha.



742183 3m  
742184 4m

REF.	ELENCO PEZZI RICAMBIO TORCIA LISTE PIECES DETACHEES TORCHE SPARE PARTS LIST TORCH ERSATZTEILLISTE SCLAUCHPAKET PIEZAS DE REPUESTO ANTORCHA	CODICE CODE KODE
1	Ghiera Fissaggio Embout Fixage Ring Nut Nutmutter Virola Por Fijacion	722007
2	Dado Fissaggio Guaina Ecrou Fixage Gaine Liner Nut Befestigungsmutter Dado Por Fijacion Vaina	722013
3	Attacco Torcia Attelage Torche Torch Connection Schlauchpaketanschluss Enganche Antorcha	742175
4	Tube Contact D. 0,6 Mm Contact Tip D. 0,6 Mm Kontaktroehrrchen D. 0,6 Mm Tubito De Contacto D. 0,6 Mm	722415
4	Tube Contact Al/flux D. 1 Mm Al/flux Contact Tip D. 1 Mm Al/flux Kontaktroehrrchen D.1 Mm Tubito De Contacto Al/flux D. 1 Mm	722552
4	Tube Contact Al/flux D. 1,2 Mm Al/flux Contact Tip D. 1,2 Mm Al/flux Kontaktroehrrchen D.1,2 Mm Tubito De Contacto Al/flux D. 1,2 Mm	722553
4	Tube Contact D.0,8 Contact Tip D.0,8 Kontaktroehrrchen D.0,8 Tubito De Contacto D.0,8	722680
4	Tube Contact D. 1 Mm Contact Tip D. 1 Mm Kontaktroehrrchen D. 1 Mm Tubito De Contacto D. 1 Mm	722681
4	Tube Contact D. 1,2 Mm Contact Tip D. 1,2 Mm Kontaktroehrrchen D. 1,2 Mm Tubito De Contacto D. 1,2 Mm	722682
5	Guaina Guidafile D. 0,6-0,8 3M Gaine Pour Fil D. 0,6-0,8 3M Liner D. 0,6-0,8 3M Drahtfuehrungsseele D. 0,6-0,8 3M Vaina Guia Hilo D. 0,6-0,8 3M	722437
5	Guaina Guidafile D. 1-1,2 Mm Al Gaine Guide Fil D. 1-1,2 Mm Al Wire Guide Hose D. 1-1,2 Mm Al Drahtfuehrungsseele D. 1-1,2 Mm Al Vaina Guadera Alambre D. 1-1,2 Mm Al	722516
5	Guaina Guidafile D. 1-1,2 Mm 3 M Gaine Pour Fil D. 1-1,2 Mm 3 M Liner D. 1-1,2 Mm 3 M Drahtfuehrungsseele D. 1-1,2 Mm 3 M Vaina Guia Hilo D. 1-1,2 Mm 3 M	722689

REF.	ELENCO PEZZI RICAMBIO TORCIA LISTE PIECES DETACHEES TORCHE SPARE PARTS LIST TORCH ERSATZTEILLISTE SCLAUCHPAKET PIEZAS DE REPUESTO ANTORCHA	CODICE CODE KODE
6	Ugello Cilindrico Buse Cylindrique Cylindrical Nozzle Zylindrische Duese Injecteur Cilindrico	722684
6	Ugello Conico Buse Conique Conical Nozzle Konische Duese Injecteur Conico	722685
6	Ugello Testa Fine Buse A Tete Fine Thin Headed Nozzle Verengte Duese Injecteur Cabeza Fina	722686
6	Ugello Per Puntatura D. 18 Mm Buse Pointage D. 18 Mm Spot Welding Nozzle D. 18 Mm Punktschweissduese D. 18 Mm Injecteur Por Puntos D. 18 Mm	722687
7	Nipples Ferma Guaina Nipples Serre Gaine Wire Guide Locking Nipples Drahtseeleklammnippel Nipples De Bloqueo Vaina	722598
8	Anello Or Bague Or Or Ring Or Ring Anillo Or	722601
8	Anello Or Anneau Or Or Ring Or Ring Anillo Or	722606
10	Tube Contact D. 1 Mm Tuyau Serre Gaine Wire Guide Locking Tube Drahtseeleklammrohr Tubito De Bloqueo Vaina	722600
11	Diffusore Gas Diffuseur Gaz Gas Diffuser Gasdiffusor Diffusor Gas	722688
13	Molla Per Ugello Ressort Pour Buse Nozzle Spring Duesefeder Muelle Por Injecteur	722690
15	Isolante Corpo Torcia Isolant Corps De Torche Torch Connection Insulation Brenneranschlussblock Isolierteil Aislador Cuerpo De Antorcha	722693
16	Lancia Lance Swan Neck Brennerhals Encorvado	722696

REF.	ELENCO PEZZI RICAMBIO TORCIA LISTE PIECES DETACHEES TORCHE SPARE PARTS LIST TORCH ERSATZTEILLISTE SCLAUCHPAKET PIEZAS DE REPUESTO ANTORCHA	CODICE CODE KODE
17	Corpo Torcia Corp De Torche Torch Assy Brennerskupplung Enganche Antorcha	722441
18	Ghiera Per Torcia Embout Pour Torche Torch Ring Nut Brennernutmutter Virola Antorcha	742171
19	Supporto + Molla Torcia Support + Ressort Torche Torch Holder + Spring Brennerhalter + Feder Sosten Antorcha + Muelle	742173
20	Molla Torcia Ressort Torche Torch Spring Brennerfeder Muelle Antorcha	742174