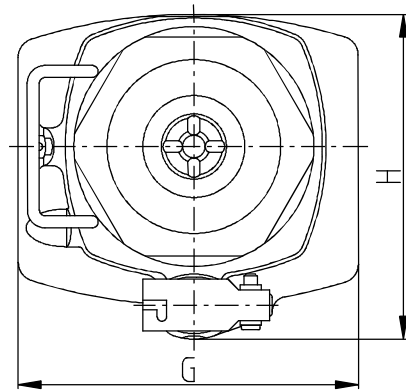


Single piston design



Telescopic piston design

Name	Capacity ton	Length of lever, mm	Handle	A mm	B mm	C mm	D mm	E mm	F Ømm	G mm	H mm	J mm	Weight (including lever), kg
H20-1	2	345	---	165	102	50	317	---	25	100	108	48	2,8
H40-1	4	450	---	180	116	70	366	---	27,5	110	116	60	4
H60-1	6	450	---	195	127	70	392	---	31,5	115	123	70	5
H80-1	8	600	---	200	130	70	400	---	34,5	125	131	75	6,2
H80-300-1	8	600	---	300	220	80	600	---	43,5	145	145,5	89	9,9
H100-1	10	600	---	220	140	70	430	---	34,5	135	138	82	7,3
H120-1	12	600	---	220	140	80	440	---	43,5	145	145,5	89	8,5
H150-1	15	600	*	225	130	80	435	---	43,5	155	153,5	95	9,6
H200-1	20	600	*	240	145	80	465	---	55	170	170	114	13,6
H300-1	30	1240	*	280	178	---	---	458	62	200	212	140	11,5

H20T-1	2	450	---	160	187	50	397	---	25	115	123	70	4,1
H40T-1	4	450	---	175	200	70	445	---	27,5	135	138	82	5,9
H60T-1	6	450	---	175	194	70	439	---	31,5	150	141,5	95	7,6
H100T-1	10	600	**	175	187	70	432	---	34,5	180	172	127	11,5

4	H100T-1 was H100T-187	12-08-24	AN
4	H20T-1, H40T-1, H60T-1 added	12-08-24	AN
4	H80-300-1 and H300-1 added	12-08-24	AN
3	H100T-187 added	11-12-16	AN
3	H80-300, H20T, H40T withdrawn	11-12-16	AN
3	Redrawn and changed to english	11-12-16	AN
Pos.	Ändring	Datum	Sign.

Material		Ämne/dimension		Värmebehandling		Ytbehandling	
Tillräna måttavvikelser där ej annat anges		Gjutna det.		Smältvetsade konstr.		Ytjämnhet där ej annat anges	
Bärrbetade det. enl.SS-ISO-2768-1		enl.SS-ISO-8062		enl.SMS 723		Ra µm	
Konstr.	Ritad	Datum		Produkt		Tolksystem enl. ISO	
Prodгод:	HB	MN	06-02-13	BOTTLE JACKS		Ersätter	
06-04-06	06-04-06	AN	1:2	Benämning		Ersatt av	
<b>REHOBOT</b>				DIMENSIONAL DRAWING			
B-46981							