



CAR FILLING



FUEL MANAGEMENT SYSTEMS



KITS



PUMPS



METERS



METERED NOZZLES

# SUZZARABLUE 3 PRO

## FEATURES

- **STURDY DESIGN**
- **RELIABILITY AND PERFORMANCE EVEN IN SUB-OPTIMAL SITUATIONS**
- **DISPENSIGN ALWAYS GUARANTEED**
- **ADBLUE® IS NEVER CONTAMINATED**
- **PERFECT FOR ALL CONDITION AND APPLICATIONS**
- **ERGONOMIC CONNECTION TO IBC**
- **WIDE RANGE OF CONFIGURATION POSSIBILITIES**
- **PIUSI METER (SB325\_X METER OR K24)**

## PERFORMANCE

<b>UP TO</b> <b>35 L/MIN</b>	<b>AC/DC</b> <b>VOLTAGE</b>
FLOW RATE	POWER
<b>6M</b>	<b>20 MIN</b>
DELIVERY HOSE	DUTY CYCLE

SUZZARABLUE 3 PRO is the top of the PIUSI range for the transfer of AdBlue® from an IBC tank. Suitable for all working conditions and all commercial vehicles, it adds to the technical and performance characteristics of the SUZZARABLUE 3 BASIC version the precision of the K24 meter for AdBlue® or the SB325\_X METER metered nozzle for precise dispensing.



SUZZARABLUE 3 PRO

## PACKAGING

CODE	WEIGHT		PACKAGING		
	KG	LBS	MM	INCH	PCS/BOX
FO0101510	14,5	32	480X390X310	19,3X15,4X12,2	1
FO0101390	14,5	32	480X390X310	19,3X15,4X12,2	1
FO0101500	14,5	32	480X390X310	19,3X15,4X12,2	1
FO0101440	14,5	32	480X390X310	19,3X15,4X12,2	1
FO0101449	14,5	32	480X390X310	19,3X15,4X12,2	1
FO0101560	14,5	32	480X390X310	19,3X15,4X12,2	1
FO0101430	14,5	32	480X390X310	19,3X15,4X12,2	1
FO010100A	14,5	32	480X390X310	19,3X15,4X12,2	1
FO010101A	14,5	32	480X390X310	19,3X15,4X12,2	1



NOZZLES



FILTRATION



TANK MONITORING



HOSE REEL



ACCESSORIES



MERCHANDISE



AIR



ANTIFREEZE



AdBlue®



BIODIESEL



DIESEL



FOOD



GASOLINE



GREASE



KEROSENE



OIL

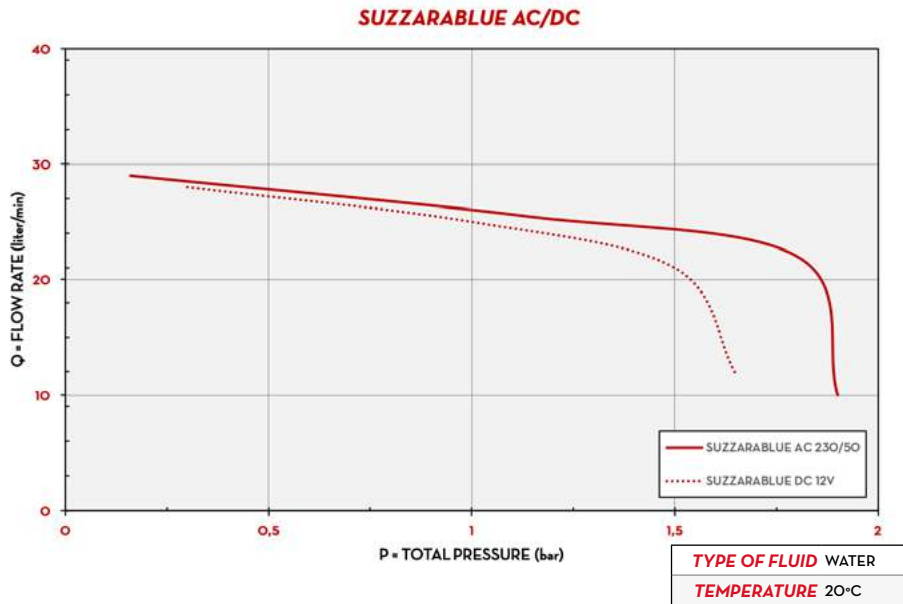


WATER

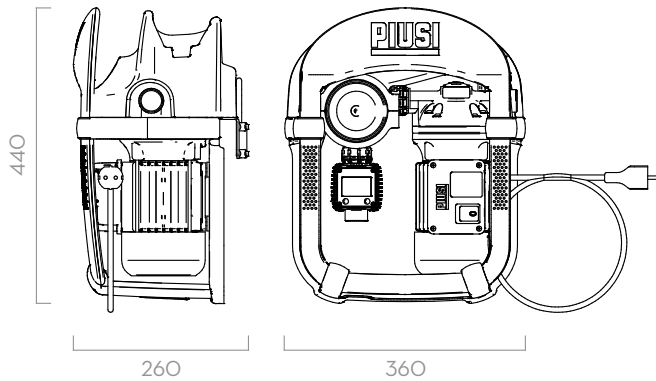


WINDSCREEN

## CHART



## DIMENSIONS



Dimensions expressed in millimeters

## IN THE BOX

- SUZZARABLU 3 UNIT
- SUCTION & DELIVERY HOSE
- MANUAL/AUTOMATIC NOZZLE
- K24 METER (ON SELECTED VERSION)
- SEC CONNECTOR (\*)
- 3D FILTER (ON SELECTED VERSION)
- INSTRUCTION MANUAL

## DETAILS



## COMPONENTS

- **PUMPS:**  
SUZZARABLU PUMP AC PAG. 70  
SUZZARABLU PUMP DC PAG. 72
- **NOZZLE:**  
SB325\_X PAG. 116  
SUZZARABLU A60 PAG. 118  
SUZZARABLU MANUAL NOZZLE PAG. 120
- **FILTER:**  
3D FILTER PAG. 126
- **METER:**  
K24 PAG. 94  
SB325\_X METER PAG. 106

## TECHNICAL DATA

CODE	DESCRIPTION	FLUIDS TYPE	FLOW RATE		VOLTAGE	METER	NOZZLE	3D FILTER	IBC CONNECTOR	HOSE	
			L/MIN	GPM						SUCTION Ø 3/4	DELIVERY
FOO101510	SUZZ.BLUE3 PRO PURE 12V SB325M	Ad W	35	9,3	12V	SB325_X METER	SB325_X	YES	SEC	1,5 M Ø20	6 M Ø20
FOO101390	SUZZ.BLUE3 PRO 12V A60	Ad W	35	9,3	12V	K24	A60	NO	SEC	1,5 M Ø20	6 M Ø20
FOO101500	SUZZ.BLUE3 PRO PURE 12V A60	Ad W	35	9,3	12V	K24	A60	YES	SEC	1,5 M Ø20	6 M Ø20
FOO101440	SUZZ.BLUE3 PRO 230/50 A60	Ad W	35	9,3	230V 50HZ	K24	A60	NO	SEC	1,5 M Ø20	6 M Ø20
FOO101490	SUZZ.BLUE3 PRO PURE 230/50 A60	Ad W	35	9,3	230V 50HZ	K24	A60	YES	SEC	1,5 M Ø20	6 M Ø20
FOO101560	SUZZ.BLUE3 PRO 230/50 M.NOZ	Ad W	35	9,3	230V 50HZ	K24	MANUAL	NO	SEC	1,5 M Ø20	6 M Ø20
FOO101430	SUZZ.BLUE3 PRO 230/50 SB325	Ad W	35	9,3	230V 50HZ	K24	SB325_X	NO	SEC	1,5 M Ø20	6 M Ø20
FOO10100A	SUZZ.BLUE3 PRO PURE 230/50 SB325	Ad W	35	9,3	230V 50HZ	K24	SB325_X	YES	SEC	1,5 M Ø20	6 M Ø20
FOO10101A	SUZZ.BLUE3 PRO PURE 230/50 SB325M	Ad W	35	9,3	230V 50HZ	SB325_X METER	SB325_X	YES	SEC	1,5 M Ø20	6 M Ø20

\*OTHER CONNECTORS AVAILABLE: AF2/EXTERNAL SUCTION

\*\* OTHER NOZZLE AVAILABLE: SB325\_X, SUZZARABLU A 60

# SUZZARABLU 3 PRO

IBC

57