

Release Jun. 2018

SB325_X
NOZZLE & NOZZLE METER for AdBlue®

made by

PIUSI
MADE IN ITALY

®

piusi.com



SB325_X & SB325_X METER for AdBlue[®]

The Piusi SB325 is the patented automatic nozzle by Piusi for AdBlue[®], equipped with break-away system and stainless steel spout. Designed in compliance with International Standards ISO/ FDIS 22241-4:2009, it also features a reliable, ergonomic, and flexible shell that protects the nozzle against weathering and UV radiation.

MAIN CHARACTERISTICS

- high flow rate: up to 45 l/min,
- heavy duty,
- light and ergonomic,
- quick and easy spout replacement,
- misfilling Kit available,
- efficient break-away system in the nozzle spout,
- the meter version has an easy to read and comprehensive multifunctional display.





PATENTED PRODUCT

REINFORCED NOZZLE END

NEW NOZZLE LEVER

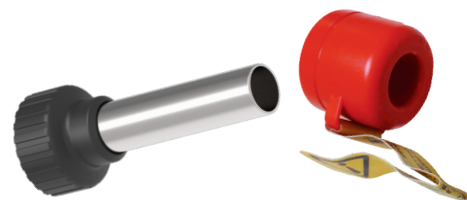
NEW NOZZLE SPOUT

**BREAK-AWAY
SYSTEM**



REINFORCED NOZZLE AIR CONDUIT

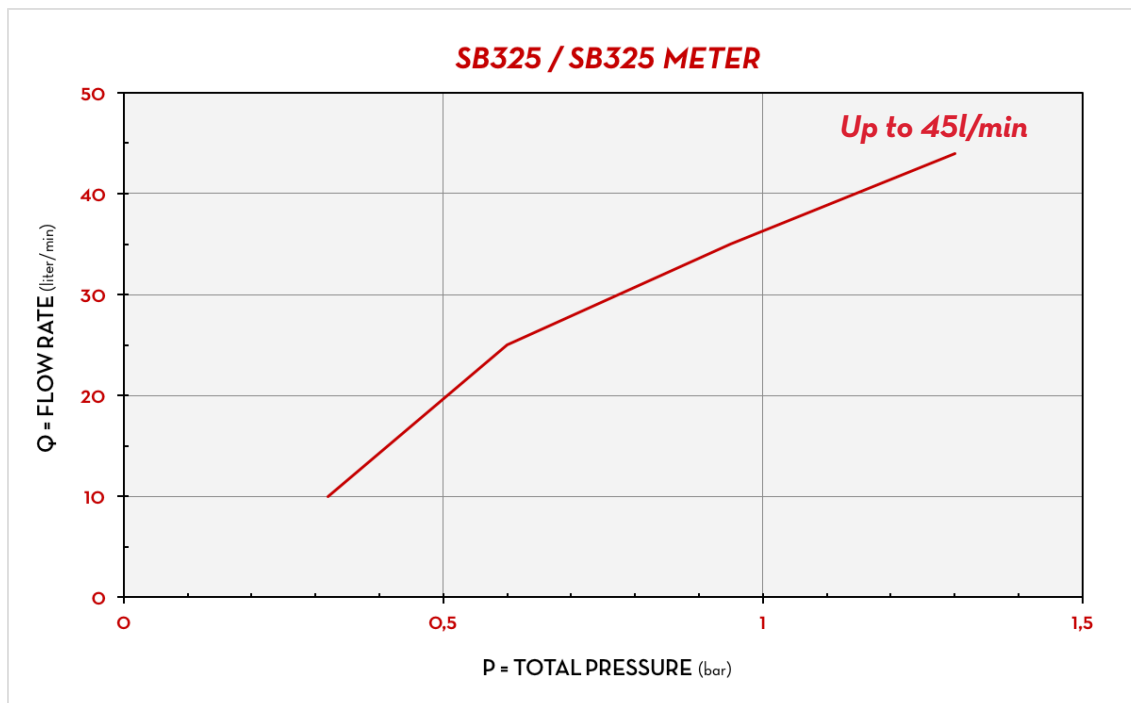
**STAINLESS
STEEL SPOUT**



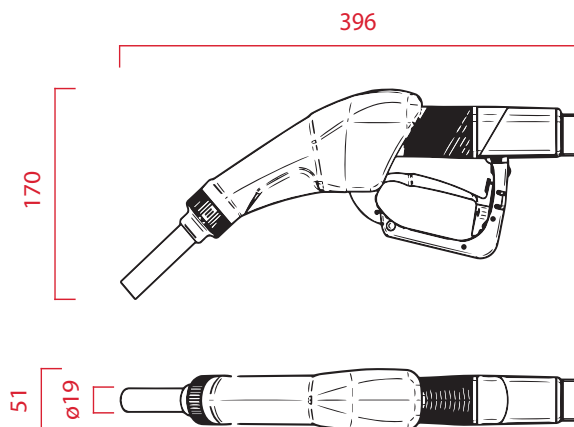
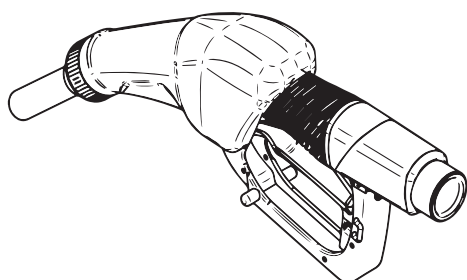
**MISFILLING
KIT SPOUT**



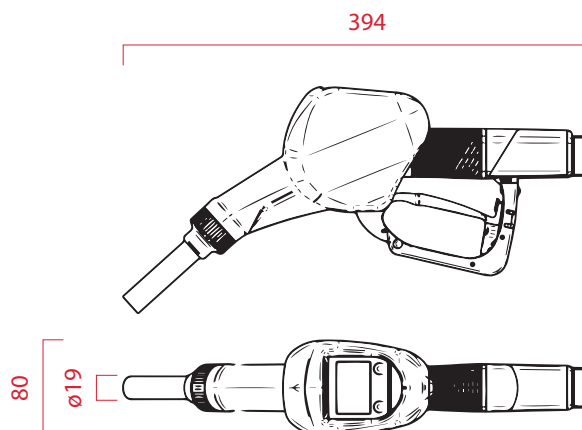
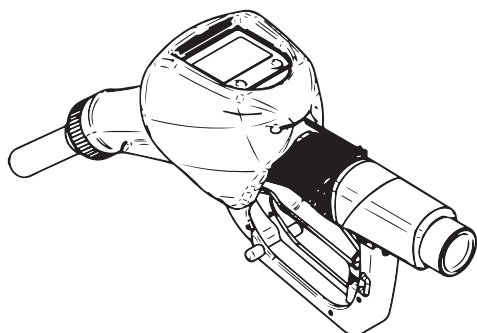
PRESSURE DROP MEASUREMENTS



SB325_X




SB325_X METER








NOZZLE METERS ACCESSORIES

SB325_X METER

STAINLESS STEEL SPOUT	CODE	DESCRIPTION
	R1917200A	MISFILLING SPOUT
	R1917300A	STANDARD SPOUT

MISFILLING KIT SPOUT	CODE	DESCRIPTION
	F1917400A	MISFILLING KIT SPOUT (MIS. SPOUT + PIUSI MAGN. ADAPT.)

CANISTER ADAPTOR	CODE	DESCRIPTION
	F18400000	PIUSI MAGNETIC ADAPTOR

TANK ADAPTOR	CODE	DESCRIPTION
	F15165000	TANK MAGNETIC ADAPTOR