



CAR FILLING



DISPENSERS



PUMPS



METERS



NOZZLE METERS



NOZZLES

PIUSI HAND PUMP

FEATURES

- **STURDY CONNECTOR**
- **HEAVY DUTY LEVER**
- **HIGH EFFICIENCY**
- **ADJUSTABLE SUCTION PIPE**
- **SELECTED MATERIALS**
- **BUILT-IN NON RETURN VALVE**

The Piusi HAND PUMP is a rotary vane pump suitable for transferring AdBlue®. Entirely designed, manufactured and certified in Italy, this sturdy pump guarantees a professional performance and it is indicated for all drum applications.

PERFORMANCE

UP TO

38 L

PER 100 REV

A



PIUSI HAND PUMP



PACKAGING

CODE	WEIGHT		PACKAGING		N. BOXES/EUROPALLET	
	KG	LBS	MM	PCS/BOX		
WITHOUT HOSE						
FO0332A0A	2,1	4,6	350X170X140	1	50	100
FO0332A1A	2,1	4,6	350X170X140	1	50	100
FO0332A4A	2,1	4,6	350X170X140	1	50	100
FO0332A6A	2,1	4,6	350X170X140	1	50	100
WITH HOSE						
FO0332A2A	3,2	7	300X300X180	1	50	100
FO0332A3A	3,2	7	300X300X180	1	50	100
FO0332A5A	3,2	7	300X300X180	1	50	100
FO0332A7A	3,2	7	300X300X180	1	50	100



FILTRATION



FLUID MONITORING



HOSE REELS



ACCESSORIES



MERCHANDISE



AIR



ANTIFREEZE



AdBlue®



BIODIESEL



DIESEL



FOOD



GASOLINE



GREASE



KEROSENE



OIL

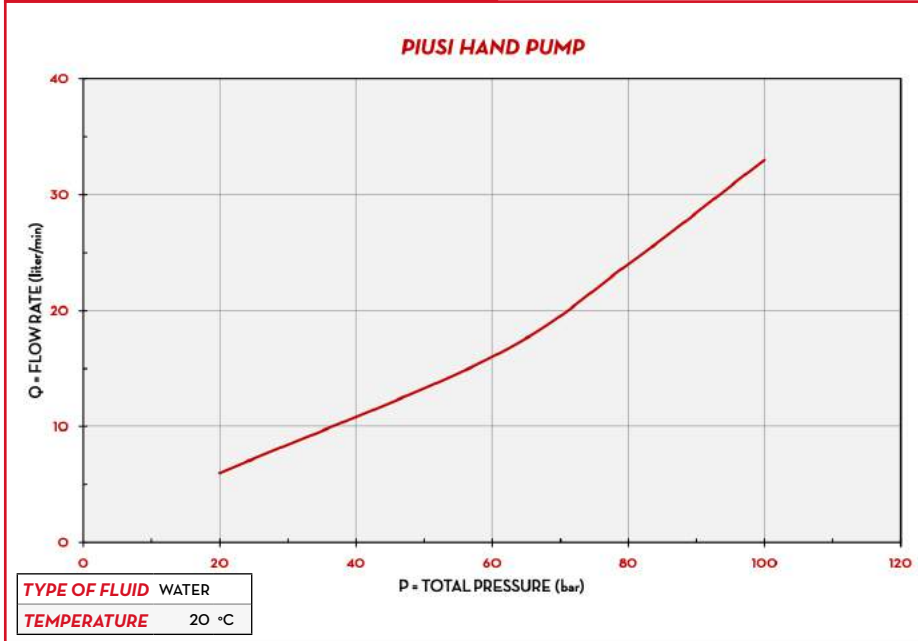


WATER



WINDSCREEN

CHARTS



IN THE BOX

- PIUSI HAND PUMP
- DRUM CONNECTOR
- SUCTION PIPE
- DELIVERY HOSE
- INSTRUCTION MANUAL

DETAILS



DRUM CONNECTOR

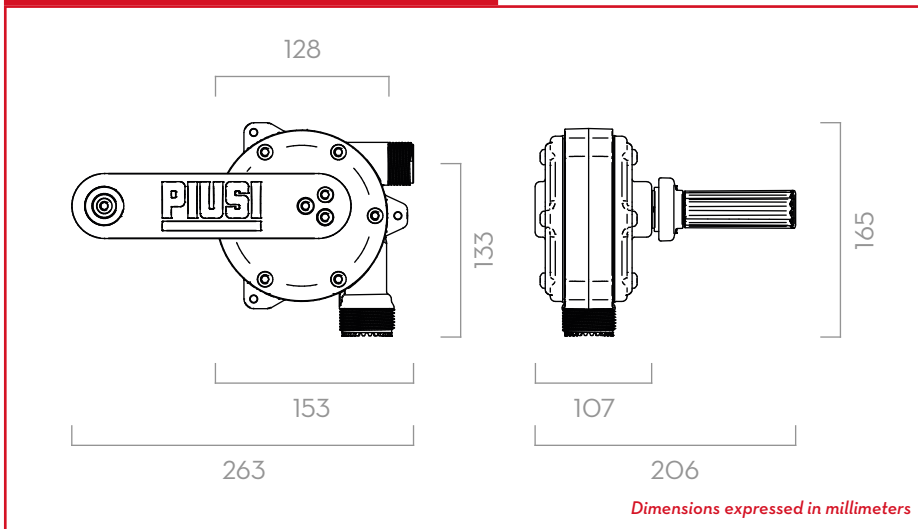


SUCTION PIPE



STAINLESS STEEL SPOUT

DIMENSIONS



MATERIALS

- BODY: STAINLESS STEEL, TECHNOPOLYMER
- ROTOR: TECHNOPOLYMER
- VANES: TECHNOPOLYMER

TECHNICAL DATA

CODE	DESCRIPTION	FLUIDS TYPE	CAPACITY PER 100 REVOLUTIONS		DRUM CONNECTOR	SUCTION TUBE	DELIVERY HOSE LENGHT	
			L	USG			M	
WITHOUT HOSE								
FO0332A0A	PIUSI HAND PUMP 56X4		38	10	56X4	YES	-	-
FO0332A1A	PIUSI HAND PUMP 2" BUTTRESS		38	10	2" BUTTRESS	YES	-	-
FO0332A4A	PIUSI HAND PUMP 2" BSP		38	10	2" BSP	YES	-	-
FO0332A6A	PIUSI HAND PUMP 70X6		38	10	70X6	YES	-	-
WITH HOSE								
FO0332A2A	KIT PIUSI HAND PUMP 56X4 WITH HOSE		38	10	56X4	YES	2,5	
FO0332A3A	KIT PIUSI HAND PUMP 2" BUTTRESS WITH HOSE		38	10	2" BUTTRESS	YES	2,5	
FO0332A5A	KIT PIUSI HAND PUMP 2" BSP WITH HOSE		38	10	2" BSP	YES	2,5	
FO0332A7A	KIT PIUSI HAND PUMP 70X6 WITH HOSE		38	10	70X6	YES	2,5	

PIUSI HAND PUMP