



GENERATING SET GE 6000 YDM

The images are for reference



FEATURES

- Manual recoil
- Output sockets: 1x230V 32A 2P+T CEE
1x230V 16A 2P+T CEE
- Circuit breaker
- Protective frame
- Portable
- Meets EC directives of safety



Air cooling



diesel



single-phase



manual recoil

POWER RATINGS

| | |
|-------------------------------|---------------------------------|
| * Stand-by single-phase power | 5.7 kVA (5.1 kW) / 230V / 24.7A |
| * PRP single-phase power | 5 kVA (4.5 kW) / 230V / 21.7A |
| * COP single-phase power | / |
| Frequency | 50 Hz |
| Cos φ | 0.9 |

* Output powers according to ISO 8528

DEFINITIONS

Valid declared powers up to the followings environmental conditions: temperature 25°C, altitude 100 meters above sea level)

LTP stand-by power: Maximum available power for use with variable loads for a yearly number of hours limited at 500 h. No overload is admitted.

PRP power: Continue power with variable loads. Maximum power for use with variable loads for a yearly unlimited numbers of hours.

COP power: COP Power: continuous power with constant load. Maximum power for use with constant loads for a yearly unlimited numbers of hours.

3000 RPM ENGINE

4-STROKE, DIRECT INJECTION, NATURAL ASPIRATED

| | |
|--|------------------------------------|
| Model | YANMAR L 100 N |
| * Stand-By net power | 6.5 kWm (8.8 hp) |
| * PRP net power | 5.7 kWm (7.7 hp) |
| * COP net power | / |
| Cylinders/ Displacement | 1 / 435 cm ³ (0.27 lt.) |
| Bore / Stroke | 86 / 75 (mm) |
| Compression ratio | 20 : 1 |
| BMEP (Brake Mean Effective Pressure : LTP - PRP) | / |
| Speed governor type | Mechanical |
| FUEL CONSUMPTION | |
| 110 % (Stand-By power) | 200 g/kWh - 1.5 lt./h |
| 100 % of PRP | 200 g/kWh - 1.3 lt./h |
| 75 % of PRP | 200 g/kWh - 1 lt./h |
| 50 % of PRP | 220 g/kWh - 0.75 lt./h |
| COOLING SYSTEM | |
| Total system cap. - only engine | / |
| Fan air flow | / |
| LUBRIFICATION SYSTEM | |
| Total oil system capacity | / |
| Oil capacity in sump | 1.6 lt. |
| Oil consumption at full load | / |

* Output powers according to ISO 3046-1

EXHAUST SYSTEM

| | |
|--------------------------------|--|
| Maximum exhaust gas flow | / |
| Max. exhaust gas temp. | / |
| Maximum back pressure | 3.3 kPa (0,033 bar - 330 mmH ₂ O) |
| External diameter exhaust pipe | / |

ELECTRICAL SYSTEM

| | |
|----------------------------------|-----|
| Starter motor power | / |
| Battery charging alternator cap. | / |
| Cold star | 0°C |

Cold start aids

| | |
|-----------------|---|
| Cold start aids | / |
|-----------------|---|

AIR FILTER

| | |
|------------|-----|
| Air filter | Dry |
|------------|-----|

COMBUSTION AIR FLOW

| | |
|---------------------|---|
| Combustion air flow | / |
|---------------------|---|

HEAT REJECTED AT FULL LOAD

| | |
|-------------------|---|
| To exhaust system | / |
| To water and oil | / |
| Radiated to room | / |
| To charge cooler | / |

ALTERNATOR

| SYNCHRONOUS, SINGLE-PHASE, SELF-EXCITED, SELF-REGULATED, BRUSHLESS | |
|--|---------------------------------|
| Continuous power | 6 kVA |
| Stand-By power | 6.6 kVA |
| Single phase voltage | 230 Vac |
| Frequency | 50 Hz |
| Cos φ | 1 |
| Model A.V.R. | / |
| Voltage regulation acc | $\pm 5\%$ |
| Sustained short circuit current | 3 In |
| Transient dip (100% load) | < 15 % |
| Recovery time | / |
| Efficiency at 100% load | 77.5 % (230V - Cos φ 1) |
| Insulation | Class H |
| Connection - Terminals | Series - N°4 |
| Electromagnetic compatibility (R.F.I. suppr.) | EN55011 |
| Waveform distorsion - THD | < 6 % |
| Telephone interference - THF | / |

| REACTANCES (6 KVA - 230 V) | |
|-----------------------------------|---------------------------|
| Direct axis synchronuos - Xd | / |
| Direct axis transient - X'd | / |
| Direct axis subtransient - X''d | / |
| Quadrature axis synchronuos. - Xq | / |
| Quadr. axis subtransient - X''q | / |
| Negative sequence - X2 | / |
| Zero sequence - X0 | / |
| TIME CONSTANTS | |
| Transient - T'd | / |
| Subtransient - T''d | / |
| Open circuit - T'do | / |
| Armature - Ta | / |
| Short-circuit ratio Kcc | / |
| IP protection degree | IP 23 |
| Cooling air flow | 0.06/ m ³ /sec |
| Coupling - Bearing | Direct J609b - N°1 |

GENERAL SPECIFICATION

| | |
|---------------------------|---------|
| Tank capacity | 5.5 lt. |
| Running time (75% of PRP) | 5.5 h |
| Start battery | / |
| IP protection degree | IP 23 |

| | |
|--|--------------------------|
| * Measured acoustic power LwA (pressure LpA) | 99 dB(A) (74 dB(A) @ 7m) |
| Performance class | G2 |

* Acoustic power according to European Directive 2000/14/CE

CONTROL PANEL

- Output sockets: 1x 230V 32A 2P+T CEE
1x 230V 16A 2P+T CEE
- Thermal circuit breaker for 230V/16A sockets
- Voltmeter
- Circuit breaker
- Earth terminal (PE)

WEIGHT - DIMENSIONS AND ACCESSORIES

GE 6000 YDM

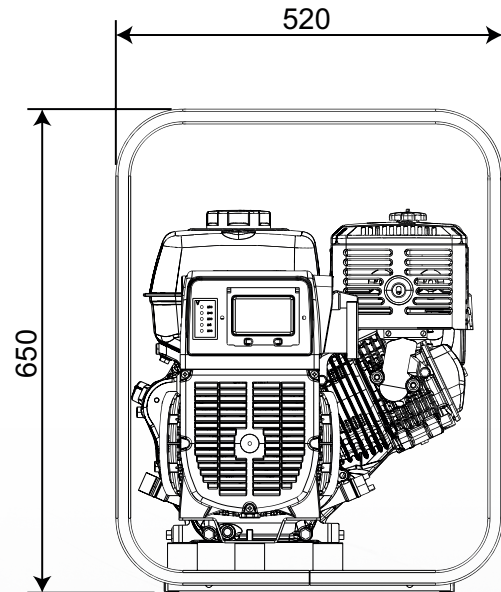
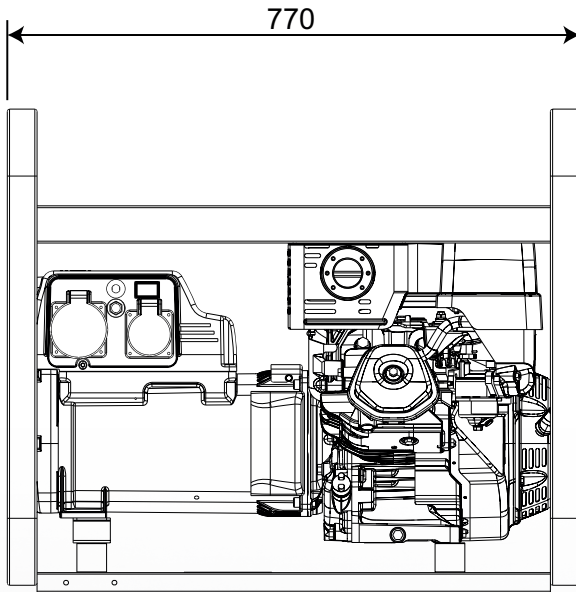


DRY WEIGHT OF MACHINE:
• 93 kg

Generating set reSocketstnted may include optional accessories.



DIMENSIONS PICTURE



OPTIONS ON REQUEST

- Earthing kit
- Moving trolley CM8

VERSIONS ON REQUEST

- /

FACTORY INSTALLATION OPTIONS

- ELCB-GFI (Ground Fault Interruptor)

GENERAL INFORMATION

COMPLIANCE GENERATING SETS WITH EC DIRECTIVES AND STANDARDS

- 2006/42 / EC (Machines Directive)
- 2014/35 / EU (Low Voltage Directive)
- 2014/30 / EU (EMC Directive)
- 2000/14 / EC (Directive Acoustic Emission for machines for use outdoors)
- ISO 8528 (Reciprocating internal combustion engine driven alternating current generating sets)



ISO 9001:2008 - Cert. 0192

WARRANTY

All devices are covered by the manufacturer's warranty.

The company reserves the right to change this specification without notice. For further information please contact the sales department.

© MOSA - Viale Europa, 59 - 20090 Cusago (Milano) - Italy - phone +39-0290352.1 - fax + 39-0290390466 E-mail: info@mosa.it Web site: www.mosa.it

