

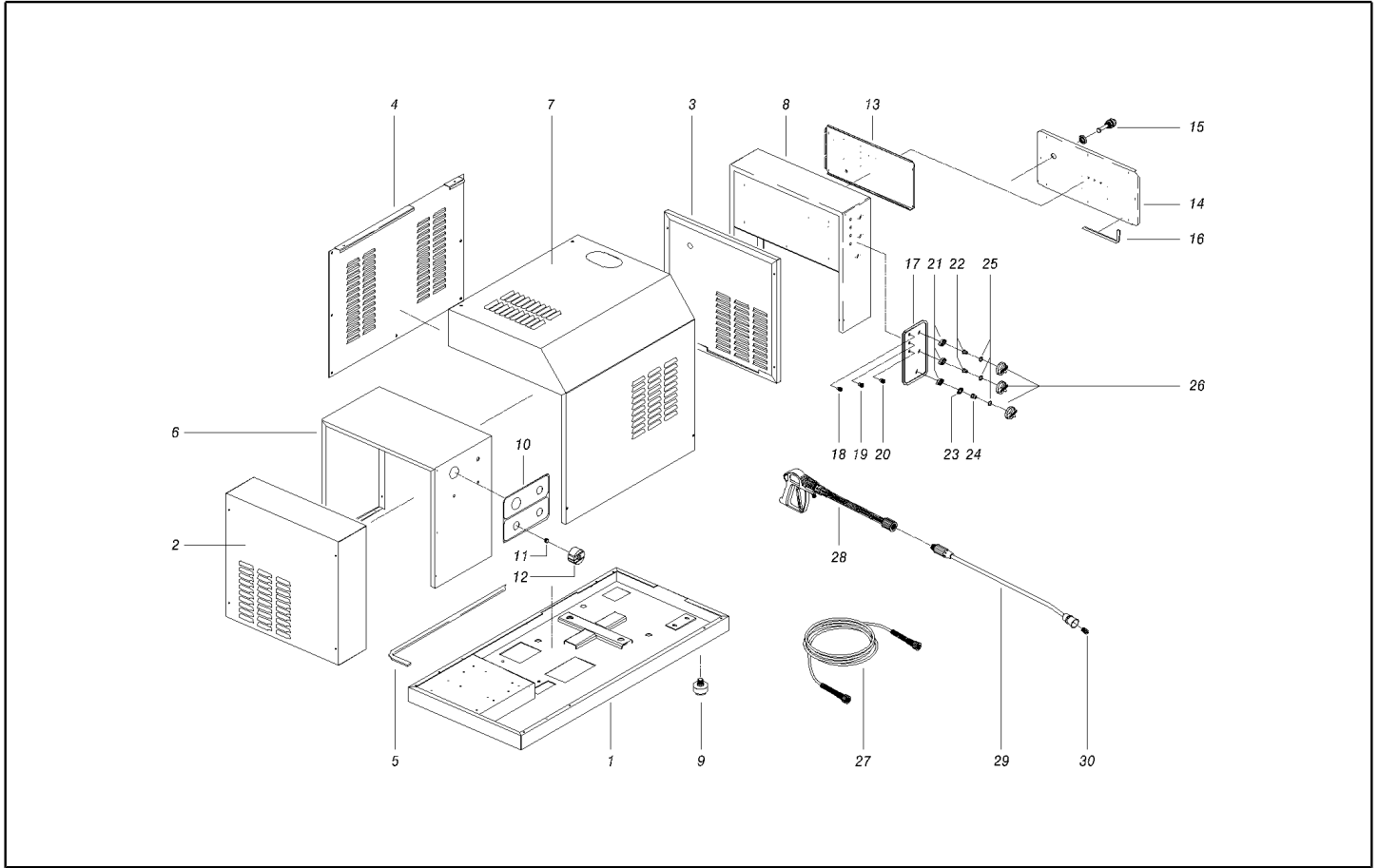


**IPC**

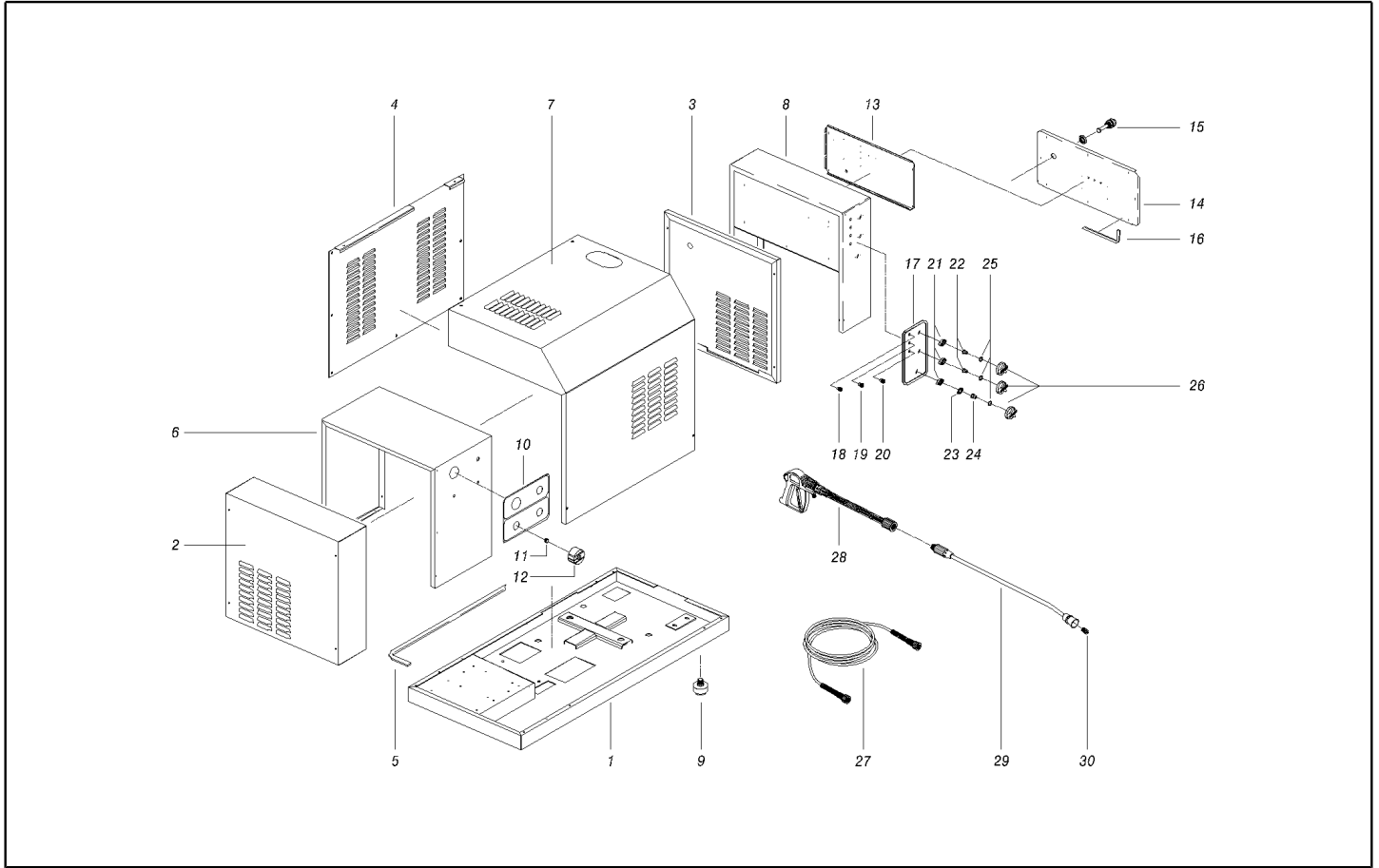
**Spare parts list**

Ref: IDAC48041

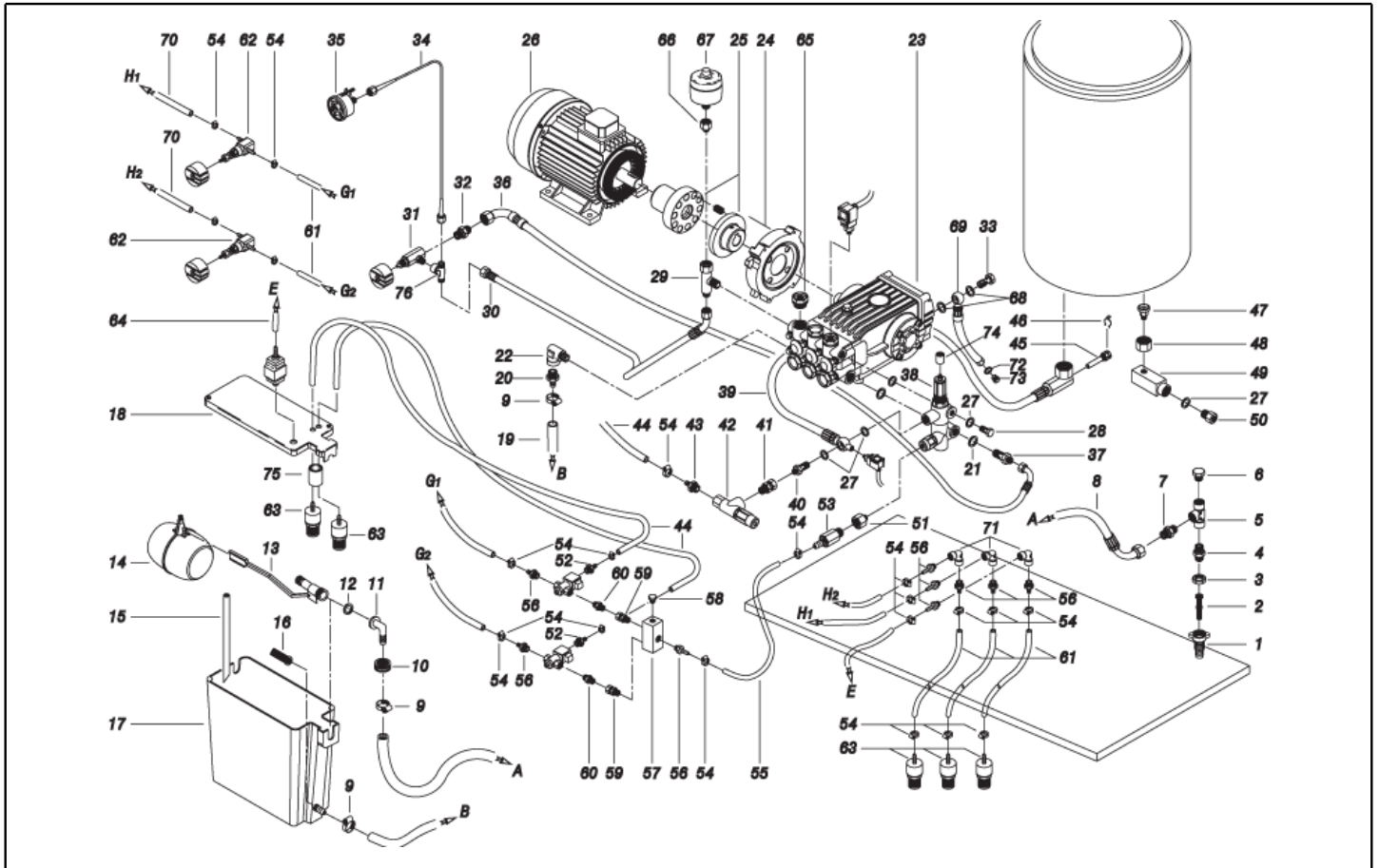
Model: H.P. CLEANER IWD-H D2021Pi T400/50 IPC



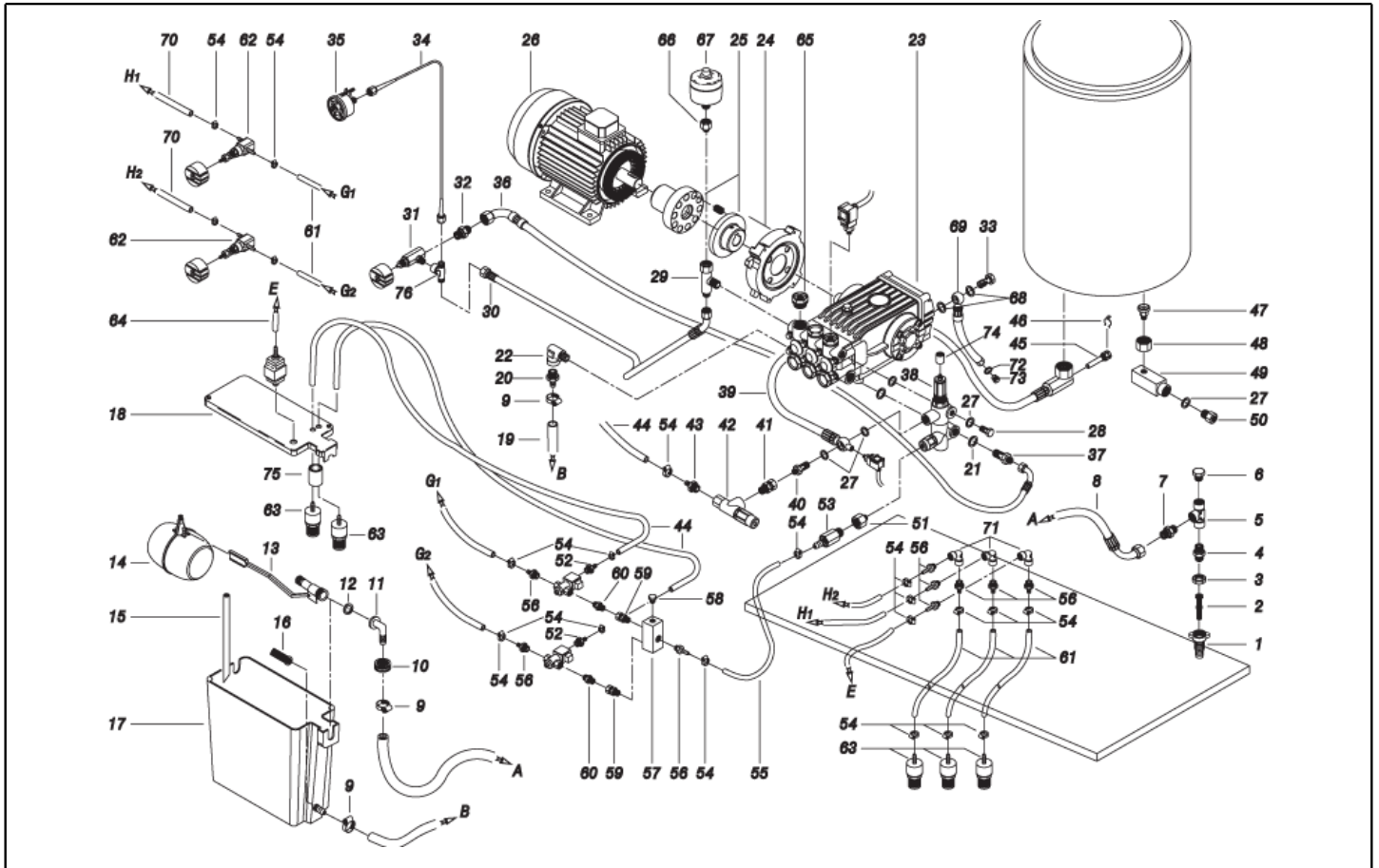
Ref. K	Part n.	Part n. 2	Description	Quantity	Validity		Price
					From	To	
0001	LAFN48178		BASE IDROWAND D/2	1,00			--
0002	LAFN48166		LAT. PANEL IWD/2 SX L.140 INX	1,00			--
0003	LAFN48165		LAT. PANEL IWD/2 DX-SX L.20 INX	1,00			--
0004	LAFN48162		BACK PANEL IWD/2 INX	1,00			--
0005	GUVR00408		EDGE H=14	0,55			--
0006	LAFN48171		BAND IWD/2 LT.SX INX	1,00			--
0007	LAFN48163		ANT. PANEL IWD/2 -40MT INX	1,00			--
0008	LAFN48170		BAND IWD/2 LT.DX INX	1,00			--
0009	ABGO33796		VIBRATION DAMP. 40X30-M 8X12+M 8F-60+5SH	4,00			--
0010	ETET48196		LABEL IWD/2 IDR.	1,00			--
0011	MPVR74070		INSERT FOR STEAM CRANK	2,00	01/03/2017		--
0011	MPVR74070		INSERT FOR STEAM CRANK	3,00		28/02/2017	--
0011	LAFN40923		INSERT CH.13 L.7 OT.	1,00	01/03/2017		--
0012	MPVR40584		KNOB	3,00			--
0013	LAFN40496		PLATE IWD/2 2V. CPL.	1,00	01/11/2012		--
0013	LAFN48494		PLATE IWD/2 ZC.	1,00		31/10/2012	--
0014	LAFN48167		BOX COVER IWD/2 INX	1,00			--
0015	MEVR48192		BUTTON ID2 IWD/2 L.27	1,00			--
0016	GUGO27129		JOINT 10X3	1,50			--
0017	ETET48195		LABEL IWD/2 ELETT.	1,00			--
0018	MELF40938		LAMP SOCKET D.12 GREE. SLX51	1,00			--
0019	MELF40937		LAMP SOCKET D.12 ORAN. SLX51	1,00			--
0020	MELF48381		LAMP SOCKET D.12 RED. SLX51	1,00			--
0021	MPVR23487		THICKNESS THERM. - INT. TUV	3,00			--
0022	MPVR23482		SWITCH TANG TEC. TUV	2,00			--
0023	MPVR41903		THICKNESS TERM.IM.PA66	1,00			--
0024	MPVR23484		TAIL PIECE THERM.KSM TUV	1,00			--
0025	GUGO25527		O-RING D. 14 X 3 NBR 70SH	3,00			--
0026	MPVR45423		GREY KNOB P176-M.RACE PA6	3,00		04/05/2008	--
0026	MPVR89723		GREY KNOB P176-MR C/F.FS.	3,00	05/05/2008		--
0027	TBAP15632		H.P. HOSE R2 MT 10 3/8" IRV F-SWIV	1,00			--
0027	RCIN17663		SWIVEL ST 44 1/4M INX	1,00		31/10/2005	--
0027	TBAP08543		H.P. HOSE R2 MT 10 3/8"	1,00		14/03/2007	--
0027	TBAP40010		H.P. HOSE R2 MT 10 3/ 8" C/2 IRV IX	1,00	15/03/2007		--
0028	IPPR12973		GRIP ST 2000 - P 330 - M22 M V	1,00		14/03/2007	--
0028	IPPR89429		GRIP G 4500 - P.330 -M22SW.M V	1,00	15/03/2007	16/04/2014	--
0028	IPPR40016		GRIP G 5000+P.330 +M22 SW.M V2	1,00	17/04/2014	31/01/2016	--
0028	IPPR40020		GRIP G 6000+P.330 +M22 SW.M V	1,00	01/02/2016	14/06/2018	--
0028	IPPR40025		GRIP G 6000+P.330 +M22 SW.M 2V	1,00	15/06/2018		--
0029	LCPR12976		EXTENSION P 70	1,00		30/11/2016	--
0029	LCPR40087		EXTENSION P 70 -P20.IX700 M22 M	1,00	01/12/2016	31/08/2017	--
0029	LCPR40159		EXTENSION P 70 -P20.IX700 M22 M 0°	1,00	01/09/2017		--
0030	UGLN02304		NOZZLE 1/4 25065	1,00		02/05/2006	--
0030	UGLN49995		NOZZLE LECH 1/4 25065	1,00	03/05/2006		--



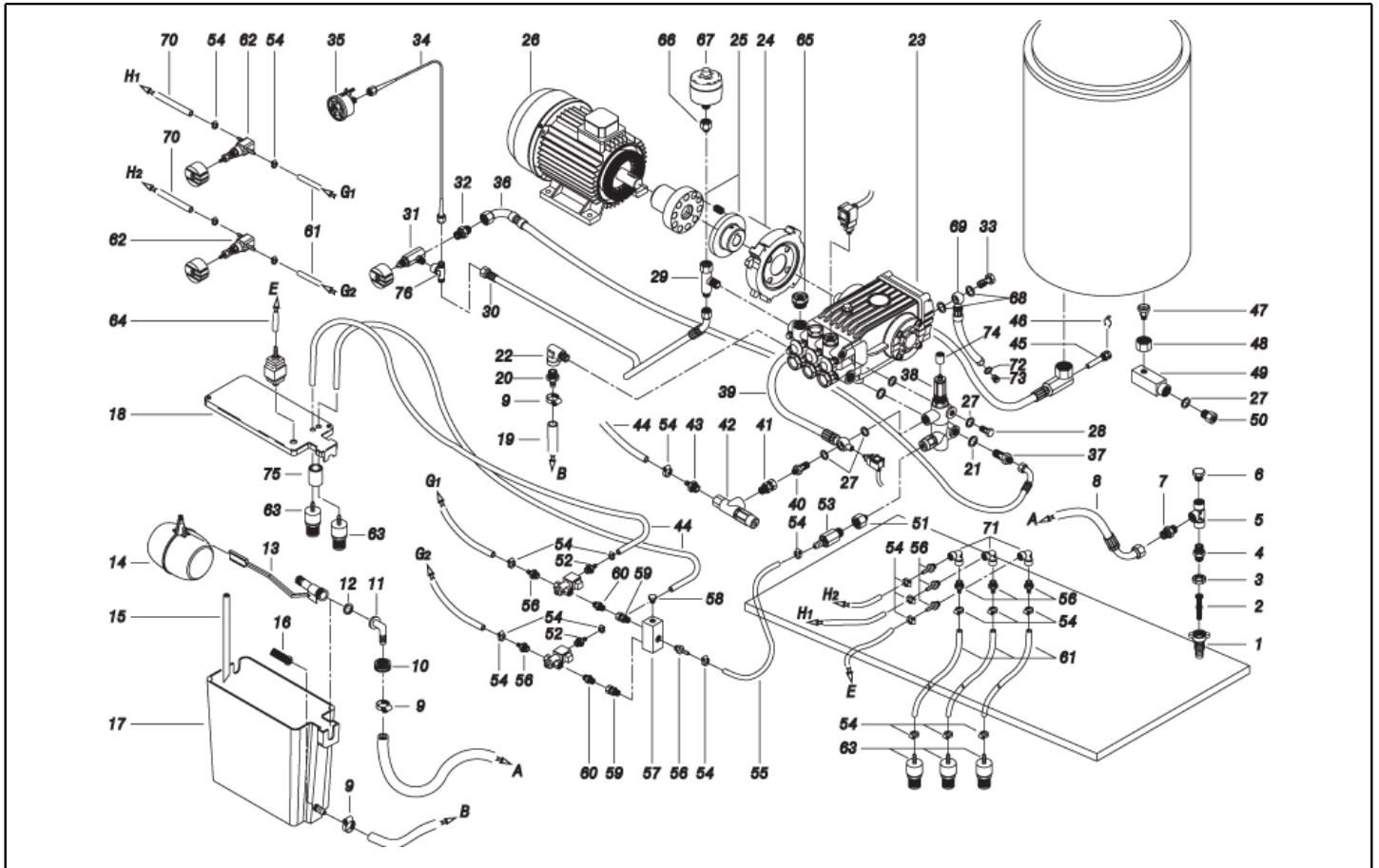
Ref. K	Part n.	Part n. 2	Description	Quantity	Validity		Price
					From	To	
0031	MEVR27264		FUSE-HOLDER 031-1081	3,00			--
9999	KTRI48113		KIT P 35- 30	1,00			--



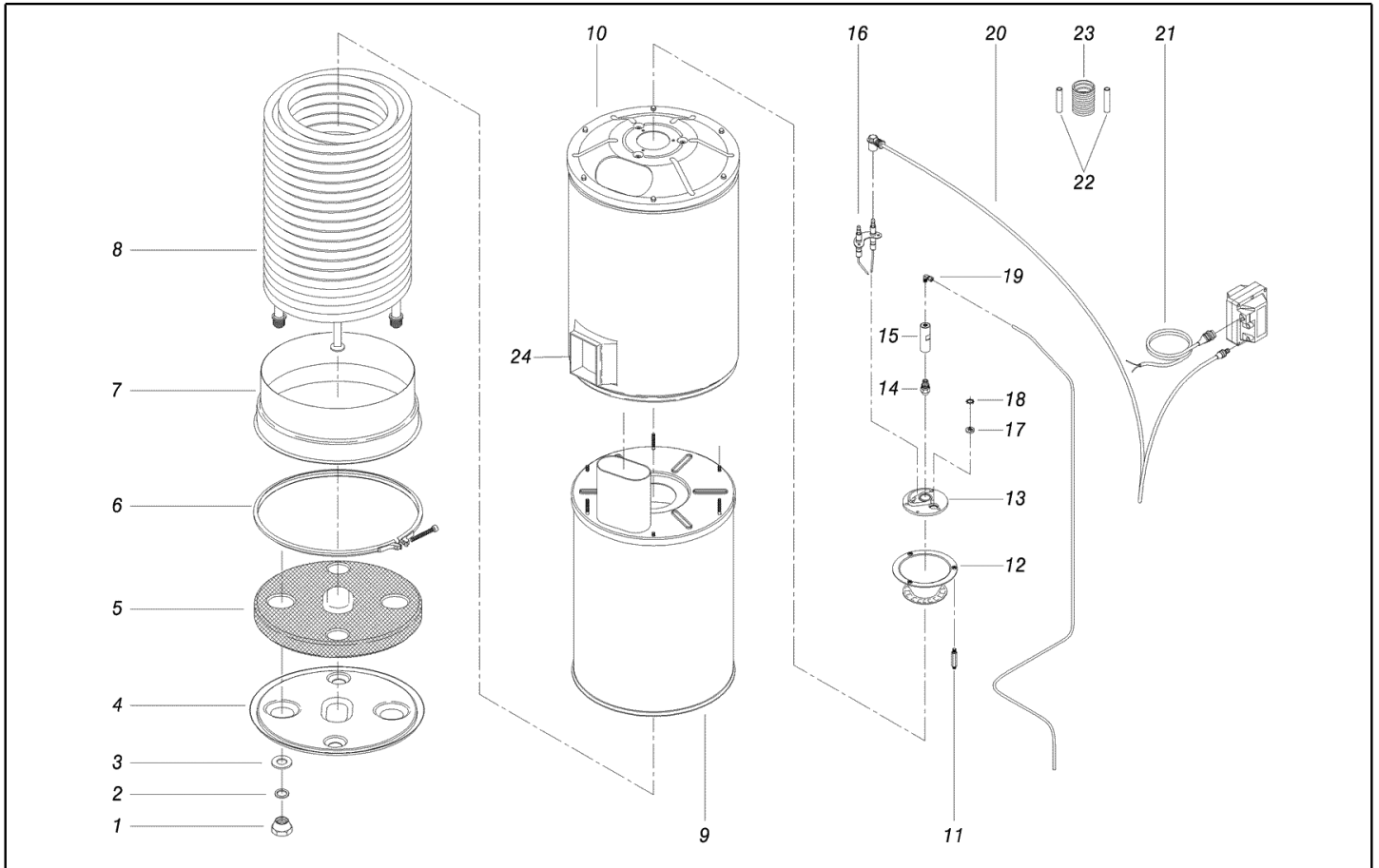
Ref. K	Part n.	Part n. 2	Description	Quantity	Validity		Price
					From	To	
0001	RCVR29600		SOCKET PTC 3/4 F	1,00			--
0002	FTAC30214		FILTER D.15X67	1,00			--
0003	RCVR59738		LOCKNUT G 3/4	1,00			--
0004	RCDS48179		NIPPLE 3/4 - 1/2 D.15 L.70 OT.	1,00			--
0005	RCVR00670		TEE UNION 1/2 F/F/F	1,00			--
0006	RCDS01091		CAP 1/2X10 M	1,00			--
0007	RCDS48469		NIPPLE 3/4 - 1/2 CB D.12.0	1,00			--
0008	TBBP48182		L.P. HOSE L=600 3/4F 90°	1,00			--
0009	FSVR00431		CLAMP D. 16-25	1,00			--
0010	RCDS10356		RING NUT FUT	1,00			--
0011	RCDS10357		HOSE FITTING FUT 90°	1,00			--
0012	VTRS00548		WASHER D.17,5X23X1,5 (3/8)RM	1,00			--
0013	RCGR10358		TAP UG. D. 7	1,00			--
0014	RCGR01387		PLASITC BALL D.104	1,00			--
0015	TBBP17436		L.P. HOSE D.12-14 RILSAN NT.	0,17			--
0016	FTDT21315		FILTER D.20X45 18LT	1,00			--
0017	MPVR22117		WATER TANK FUT PPL BK.	1,00			--
0018	MPVR48194		TANK COVER IWD/2 ABS	1,00			--
0019	TBBP15656		L.P. HOSE D.16-26 20BAR	0,24			--
0020	RCDS48463		HOSE FITTING 1/2 M D.10-16 OT	1,00		07/05/2008	--
0020	RCDS89632		HOSE FITTING 3/8 M D. 9.0 CLB OT.	1,00	08/05/2008		--
0020	RCVR02605		REDUCTION 1/2-3/8 M/F	1,00	08/05/2008		--
0021	VTRS00549		WASHER D.21,5X27X1,5 (1/2) RM	2,00			--
0022	RCVR00575		ELBOW 1/2" M/F A10	1,00			--
0023	PPAP05103		PUMP WS102 SX LT 21-100 BAR	1,00			--
0024	MFVR10551		FLANGE HP10 WS202	1,00		19/10/2008	--
0024	MFVR40003		FLANGE HP 15 H132	1,00	20/10/2008		--
0025	FGGT05729		FLEX. COUPLING HP10 G112 24-38	1,00	17/10/2006	19/10/2008	--
0025	FGGT40001		FLEX. COUPLING IP W S.66 H132	1,00	20/10/2008		--
0026	MOTR12986		3PH MOTOR B3-B14 HP10 50HZ 230-400V	1,00		28/04/2005	--
0026	MOTR88938		3PH MOTOR B3-B14 HP10 50 230-400 ED	1,00	29/04/2005		--
0027	VTRS00548		WASHER D.17,5X23X1,5 (3/8)RM	1,00			--
0027	VTRS00548		WASHER D.17,5X23X1,5 (3/8)RM	1,00			--
0027	VTRS12492		WASHER 3/8	2,00		30/11/2015	--
0027	VTRS40026		WASHER 3/8 ZC + NBR 85SH	2,00	01/12/2015		--
0028	RCDS40065		SCREW G 3/8 - 1/8F L=48.5 INX	1,00	12/10/2011		--
0028	RCDS40551		SCREW G 3/8 - 1/8F L=48.5	1,00		11/10/2011	--
0029	RCDS40589		CONNECTOR T 3/8M - 1/4 M/F OT.	1,00	05/02/2008		--
0030	TBAP48180		HOSE-FITTING 1/4 R1 L=480 0-90° 1/4 F	1,00			--
0031	VVSF40587		PRESSURE VALVE REG.D.1.5 MHDS	1,00			--
0032	RCVR03535		NIPPLE 1/4 - 1/8 CN	1,00			--
0033	RCDS02612		SCREW G 1/4 A.P.	1,00			--
0034	TBAP40004		POLYAMIDE HOSE L=260 1/4 F-F	1,00	15/04/2007		--
0034	TBAP42069		POLYAMIDE HOSE L=260 1/4-1/4 F-F	1,00		14/04/2007	--



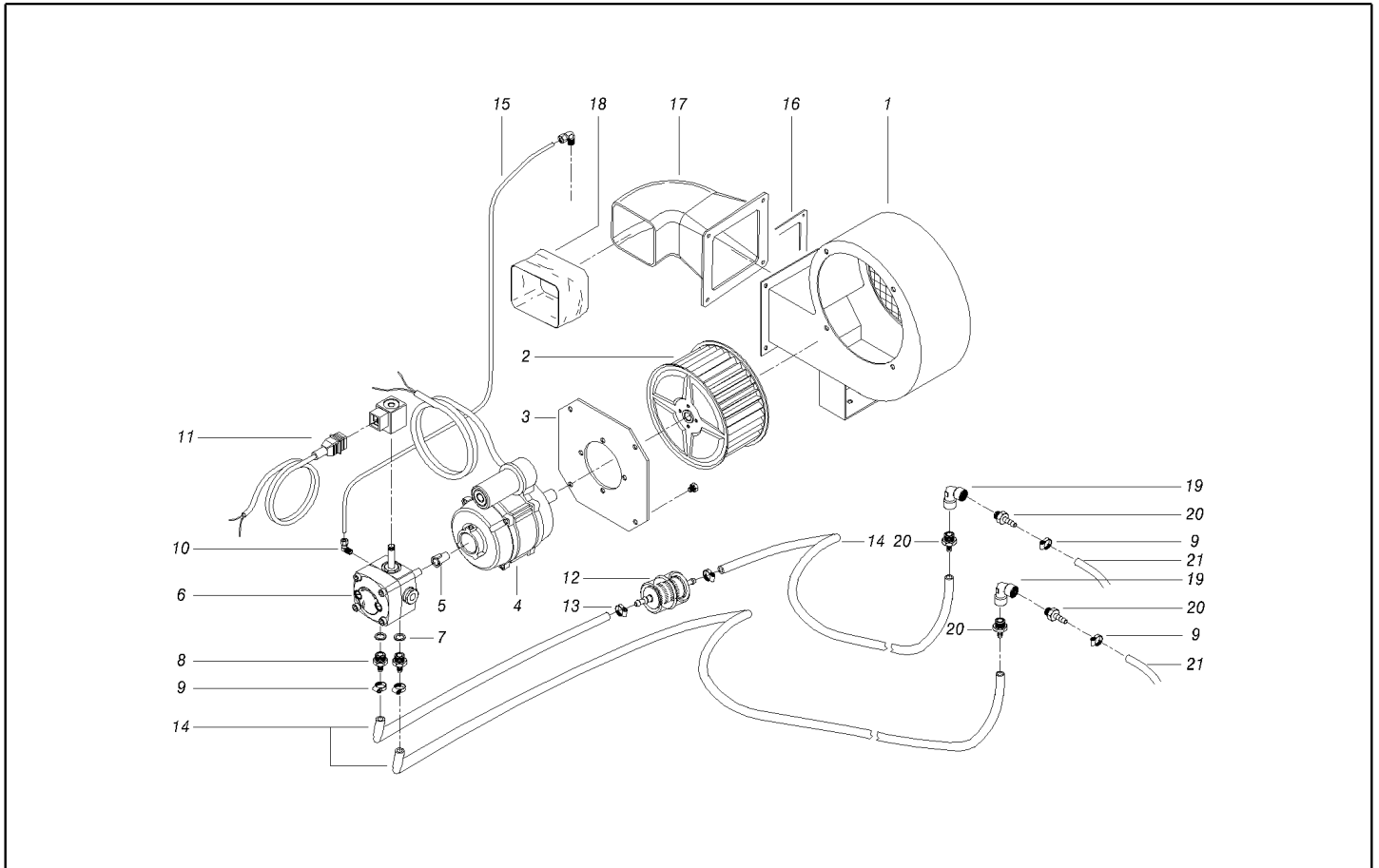
Ref. K	Part n.	Part n. 2	Description	Quantity	Validity		Price
					From	To	
0035	MNMN07992		PRESSURE GAUGE 0-250 D.50	1,00		18/11/2003	--
0035	MNMN49621		PRESSURE GAUGE 0-250 D.50 INOX	1,00	19/11/2003		--
0036	TBAP48181		HOSE-FITTING 1/4 R1 L=780 90-90° 1/4F	1,00			--
0037	RCDS40128		SCREW G 1/2 -1/4M D.8 L=48.5 IX	1,00	12/10/2011		--
0037	RCDS48465		SCREW G 1/2 -1/4M D. 8 L=48.5	1,00		11/10/2011	--
0038	VVAZ46720		VALVE MV 625 W151 AC S/IN. REG.	1,00		30/11/2012	--
0038	VVAZ40033		VALVE VRF-2 IP-W AC S/IN.	1,00	01/12/2012	31/01/2014	--
0038	VVAZ40040		VALVE VRF-2 IP-W AC S/IN. REG.	1,00	01/02/2014		--
0039	TBAP48184		HOSE-FITTING 3/8 R2 L=730 3/8O-1/2PMG	1,00			--
0040	RCDS11778		SCREW G 3/8 + 3/8M	1,00		11/10/2011	--
0040	RCDS40092		SCREW G 3/8 + 3/8M INX	1,00	12/10/2011		--
0041	RCVR00563		SWIVEL RACCORD 3/8 M/F	1,00			--
0042	VVSC21627		VALVE VS 220 G3/8	1,00		19/06/2010	--
0042	VVSC40005		VALVE MR 401 G3/8	1,00	20/06/2010		--
0043	RCDS03514		HOSE FITTING 3/8 M D. 5- 7	1,00			--
0044	TBBP04917		L.P. HOSE D. 6- 9	0,40		30/04/2012	--
0044	TBBP93804		L.P. HOSE D. 6- 9	0,40	01/05/2012		--
0044	TBBP04917		L.P. HOSE D. 6- 9	1,00		30/04/2012	--
0044	TBBP93804		L.P. HOSE D. 6- 9	1,00	01/05/2012		--
0045	RCDS00593		SUMP IM 0-120 L=50	1,00			--
0046	MLML02623		SPRING IMT	1,00			--
0047	RCDS21118		CONNECTOR KSM	1,00		11/12/2005	--
0047	RCDS89560		CONNECTOR IWD/2 M14X1.5 ZC.	1,00	12/12/2005		--
0048	RCDS29100		RING NUT M26X1.5 RB.	1,00			--
0049	RCDS19322		BLOC BODY 3/8F-M14	1,00			--
0050	RCIN09348		MALE COUPLING 3/8M L=32	1,00			--
0051	RCVR02606		REDUCTION 1/2-1/4 M/F	1,00			--
0052	RCDS29082		HOSE FITTING 1/8 F D. 7 EL.KS 610	2,00			--
0053	VVSF46712		VALVE 1/4M -PG. D.3X7.5	1,00			--
0054	FSVR00427		CLAMP D. 12 CLIC 66-110	4,00			--
0055	TBBP00051		DETERGENT HOSE D. 6-12	0,20			--
0056	RCDS00626		HOSE FITTING 1/4 M D. 5- 7	10,00			--
0057	RCDS48462		BLOCK 4V. 4X1/4F IWD-2V.	1,00			--
0058	RCDS01088		CAP 1/4X 9 M WW90	1,00			--
0059	RCVR00562		SWIVEL RACCORD 1/4 M/F	2,00			--
0060	RCDS00607		NIPPLE 1/4 - 1/4 SV	2,00			--
0061	TBBP00051		DETERGENT HOSE D. 6-12	1,60			--
0062	RCGR40583		DETERGENT TAP	2,00			--
0063	FTDT04648		FILTER PG. D.6 PLS	2,00			--
0064	TBBP00058		L.P. HOSE D. 4- 7	0,70			--
0065	RCDS09059		CAP M24X2X16 + 1/4F OTT	1,00	05/02/2008		--
0066	RCDS13818		SLEEVE 1/4-M14X1.5 M/F	1,00		04/02/2008	--
0066	RCDS33713		SLEEVE 1/4-M14X1.5 M/F D. 4.5	1,00	05/02/2008		--
0067	ACID08195		ACCUMULATOR M 14X1.5 30BAR	1,00			--



Ref. K	Part n.	Part n. 2	Description	Quantity	Validity		Price
					From	To	
0068	VTRS04931		WASHER COPPER D.13X19X1.5	2,00			--
0069	TBBP48183		L.P. HOSE L= 350 1/4OC.- 3/8F 0°	1,00			--
0070	TBBP04917		L.P. HOSE D. 6- 9	1,60		30/04/2012	--
0070	TBBP93804		L.P. HOSE D. 6- 9	1,60	01/05/2012		--
0071	RCVR00581		ELBOW 1/4" F A9	5,00			--
0072	RCVR12243		CAP 3/8M L=10	1,00	29/04/2003		--
0072	VTRS00548		WASHER D.17,5X23X1,5 (3/8)RM	1,00			--
0072	GUGO01035		O-RING D. 13.95 X 2.62 NBR 70SH	1,00	19/09/2005		--
0072	VTRS00548		WASHER D.17,5X23X1,5 (3/8)RM	1,00	29/04/2003	18/09/2005	--
0073	RCDS28310		CAP 3/8 M PLS	1,00	19/09/2005		--
0073	RCVR12243		CAP 3/8M L=10	1,00	29/04/2003	18/09/2005	--
0074	PVVR40273		ADAPTER VRF-2 RG.	1,00	01/12/2012	31/01/2014	--
0075	RCDS15346		WEIGHT DET.	1,00	04/02/2015		--
0076	RCVR26495		CONNECTOR T 1/4 M/F/M A17	1,00	01/03/2017		--

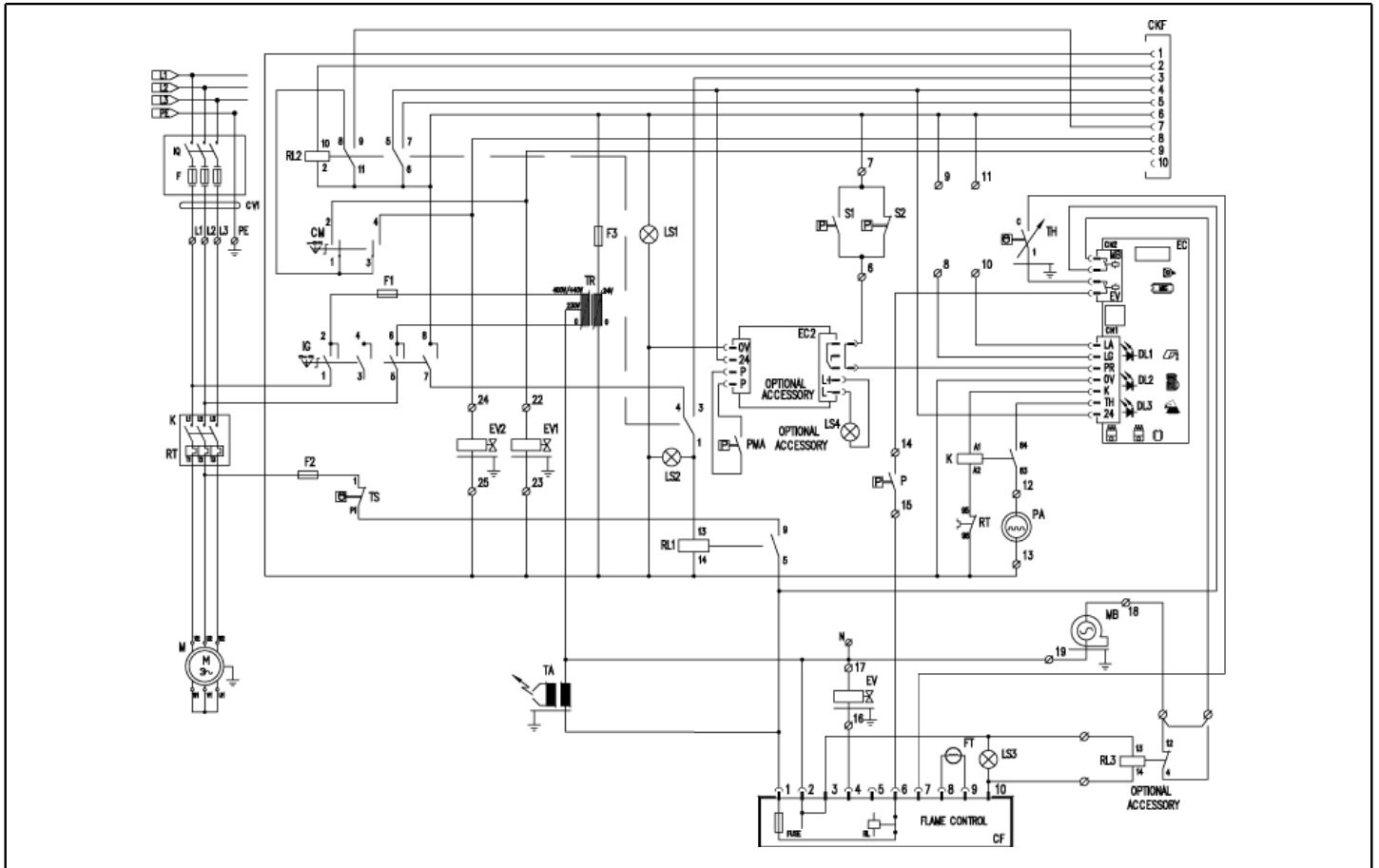


Ref. K	Part n.	Part n. 2	Description	Quantity	Validity		Price
					From	To	
0001	RCDS21120		RING NUT M 26 X 1,5	2,00			--
0002	GUGO21222		O-RING D. 15.54 X 2.62 VIT 80SH	2,00			--
0003	GUVR21021		ANTI-EXTR.RING D. 21 X17 TEF.	2,00			--
0003	LAFN43244		CHIMNEY EXTENS. KSM H.70 INX	1,00			--
0004	LAFN44149		BOILER BOTTOM P176	1,00	01/11/2007		--
0005	ITTE44175		BOTTOM P176 C.TE	1,00	01/11/2007		--
0006	LAFN40037		RING D.342 P176 ZN 2V.CPL.	1,00	01/11/2007		--
0006	LAFN44150		RING D.345 P176 ZN	1,00		30/06/2007	--
0007	LAFN44151		BAND P176 INX	1,00	01/11/2007		--
0008	LAGR44873		DOUBLE COIL M26X1.5 P176 40MT.	1,00	01/11/2007		--
0009	LAFN46226		INT. CYLINDER P176 40.CP.INX	1,00	01/11/2007		--
0010	LAFN40035		EXT. CYLINDER P176-FR/2 40.CP.	1,00	01/11/2007		--
0010	LAFN46224		EXT. CYLINDER P176-FBX 40.CP.	1,00		31/10/2007	--
0011	LAFN44159		PIN CH.10 X 75.7 M5M/M5M P176	3,00	15/05/2007	31/10/2007	--
0012	LAFN44244		BAFFLE P176 30M INX	1,00			--
0013	MFVR48191		ELECTR.HOLDER P176 P/CT.FMM.	1,00			--
0014	UGBR31344		BURNER NOZZLE 1.75 60 S	1,00			--
0015	RCDS07642		NOZZLE HOLDER FUT	1,00			--
0016	MECA12525		ELECTRODE FUT	1,00			--
0017	MPVR18228		OIL WARN-LIGHT D.17 X3	1,00			--
0018	VTAE22633		SEEGER 0.4 X18,30X10,5	1,00			--
0019	RCLR08954		ELBOW 1/8"-4 B5	1,00			--
0020	MECV35336		CABLE A.T. 9,8-23KOHM/M L= 750P	2,00			--
0021	MECB34463		CABLE BT L=800 SP. FD	1,00			--
0022	LAFN48187		SPACER D. 6- 8 L=43 INX	2,00			--
0023	MPVR31720		PROTECTOR 22 X 44	1,00			--
0024	MPVR40013		CONVEYOR P176-FBX PA6 BK.	1,00	01/01/2010		--

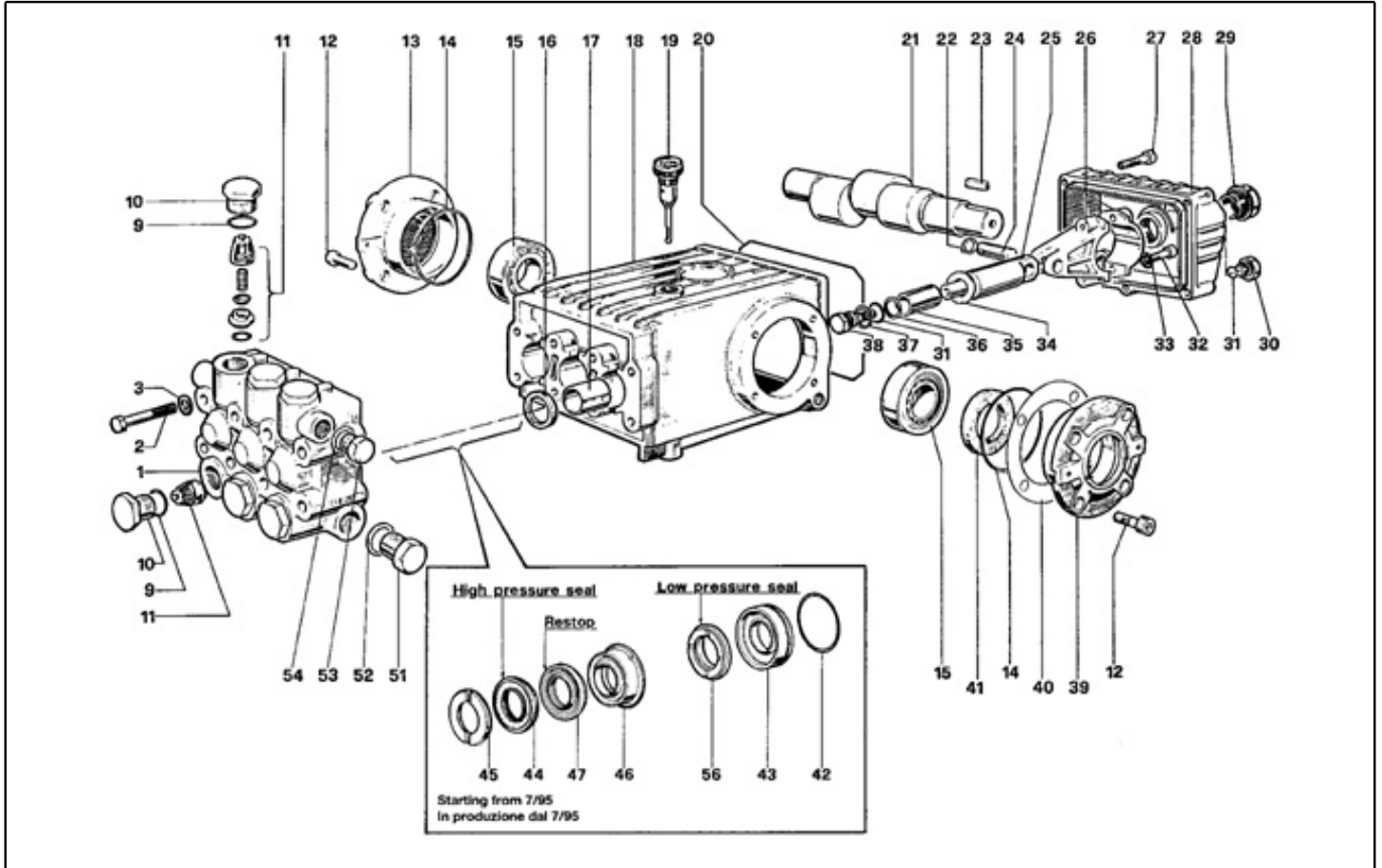


Ref. K	Part n.	Part n. 2	Description	Quantity	Validity		Price
					From	To	
0001	LAFN48123		SCROLL CB4 -IDW	1,00		31/05/2007	--
0001	LAFN40039		BRACKET CB4-IWD/2	1,00	01/06/2007		--
0001	MPVR40010		SCROLL CB4 -2PZ.CP	1,00	01/06/2007	05/11/2015	--
0001	MPVR40665		SCROLL CB4 -2PZ.GR.	1,00	06/11/2015		--
0002	VEVR34275		IMPELLER D.160-80 D.12.7 36P B.SX	1,00			--
0003	LAFN10272		MOTOR PLATE CB 3	1,00			--
0004	MOMB34119		BURNER MOTOR 230-50 IP44 150W A.OR	1,00			--
0005	FGGT36513		JOINT HP 0.25 AACO	1,00			--
0006	PPGS18240		FUEL PUMP DLT VM1LL25	1,00		31/12/2004	--
0006	FTCO88927		FUEL FILTER S.AL	1,00	01/01/2005		--
0006	PPGS40005		FUEL PUMP DNF BFA 01L3R2	1,00	05/02/2008		--
0006	PPGS88592		FUEL PUMP DLT ALLUM. A1L2	1,00	01/01/2005	04/02/2008	--
0007	VTRS04931		WASHER COPPER D.13X19X1.5	2,00			--
0008	RCDS00626		HOSE FITTING 1/4 M D. 5- 7	2,00			--
0009	FSVR00427		CLAMP D. 12 CLIC 66-110	4,00			--
0010	RCVR08954		ELBOW 1/8"-4 B5	1,00			--
0011	MECB18118		CABLE DLT L=1.600	1,00			--
0012	FTCO34840		FUEL FILTER FB 7/A NYL.	1,00		07/04/2010	--
0012	FTCO40003		FUEL FILTER FB 7/TA 60mc NYL.	1,00	08/04/2010	24/02/2016	--
0012	FTCO40004		FUEL FILTER FB 7/T 60mc NYL.	1,00	25/02/2016		--
0013	FSVR11197		CLAMP D.12.9-13.6	2,00			--
0014	TBCO06945		L.P. HOSE D. 6-12 10BAR C.PRESS	0,60			--
0015	TBCO40042		DIESEL HOSE IWD/2 40MT. D. 4 IX	1,00	15/12/2014		--
0015	TBCO48185		DIESEL HOSE IWD/2 40MT. D. 4	1,00		14/12/2014	--
0016	GUGO11214		GASKET FLL	1,00			--
0017	MPVR48124		CONVEYOR P176-IDW PEHD	1,00			--
0018	GUGO20124		GASKET KSM	1,00			--
0019	RCVR00581		ELBOW 1/4" F A9	2,00			--
0020	RCDS00626		HOSE FITTING 1/4 M D. 5- 7	4,00			--
0021	RCVR06845		HOSE FITTING 1/2 x 13M	2,00			--

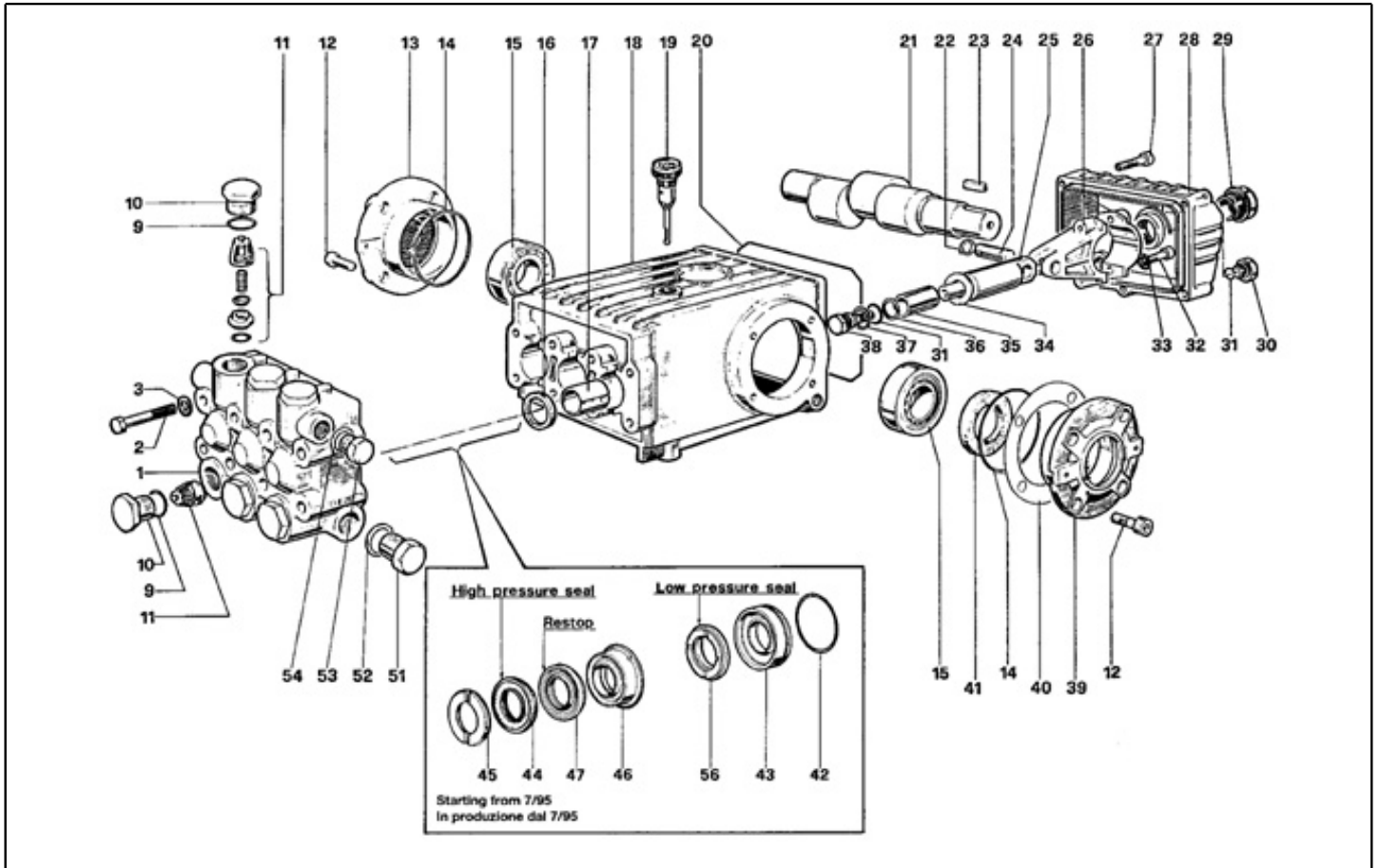




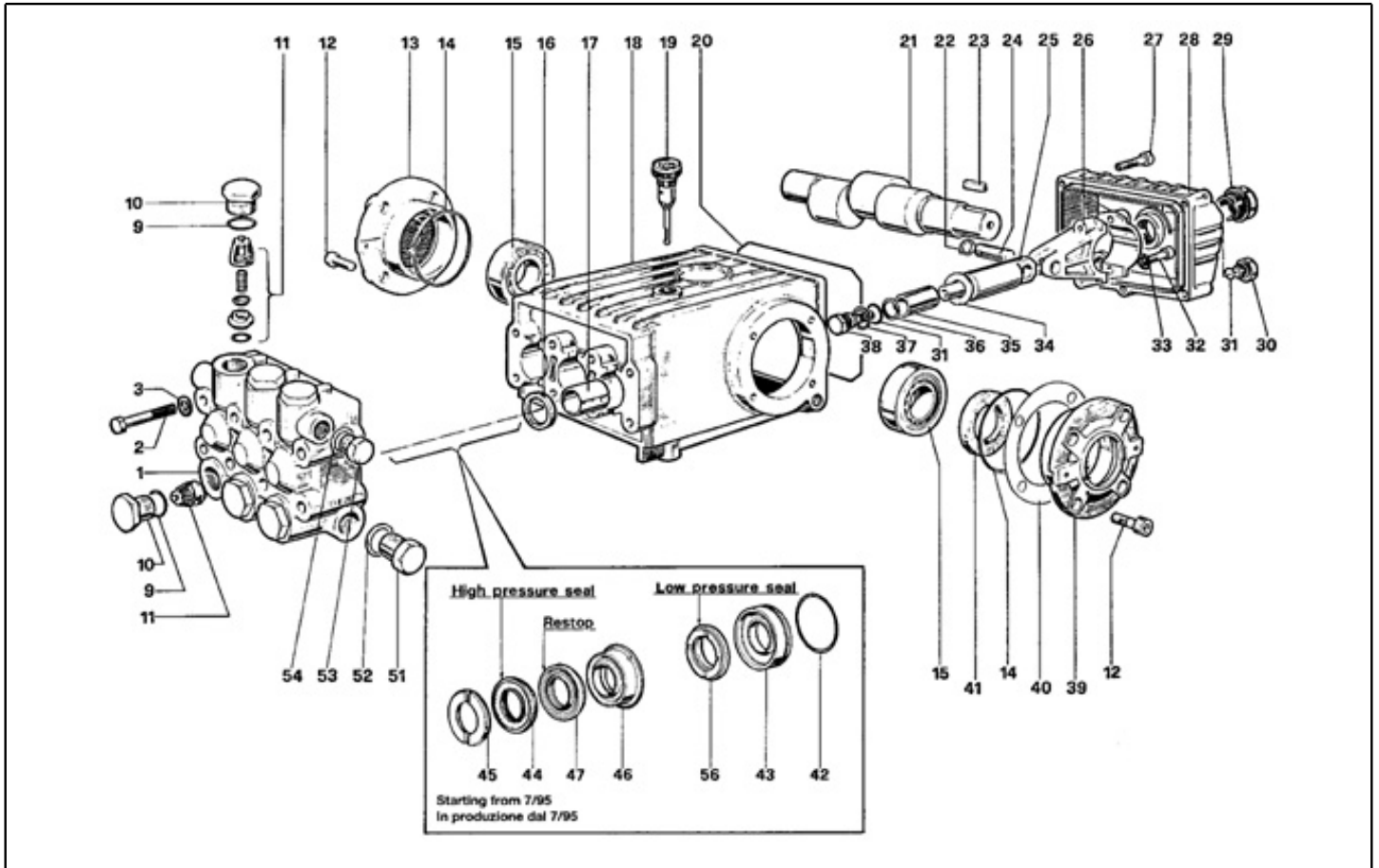
Ref. K	Part n.	Part n. 2	Description	Quantity	Validity		Price
					From	To	
K	METT40019		CONTACTOR SIE 3RT 2025-1AC20 24V	1,00	04/09/2014		--
K	METT40046		CONTACT SIE N.A. 3RH29 11-1HA20	1,00	14/06/2018	30/09/2018	--
K	METT40054		CONTACT SIE N.C. 3RH29 21-1DA11	1,00	01/10/2018		--
P	MEPF39902		PRESSURE SWITCH MTM 1/4M NA/NC 25B. MICRO	1,00		31/05/2012	--
P	MEPF40017		PRESSURE SWITCH PR 5 1/4M 25BAR L.1300	1,00	01/06/2012		--
CF	MECF08651		EQUIPMENT G22 S.08 TV 1.5 TS10 FTT	1,00			--
CM	MECI48382		COMMUTAT.SWITCH BRM 1-0-2 UNIP.12A CR012	1,00			--
EC	MECE45448		PCB P105 T-ST/MP/LIV. STOP30'	1,00			--
EV	MEBE18120		COIL DLT 220-50 S/CV.	1,00		31/12/2004	--
EV	MEBE43705		COIL DNF 220-50	1,00	05/02/2008		--
EV	MEBE49881		COIL DLT 220-50 NF84	1,00	01/01/2005	04/02/2008	--
FT	MECF08832		PHOTOELET.CELL FC8/A L=0.620	1,00			--
F3	MEVR02824		FUSE 5X20 1A	1,00		24/10/2004	--
IG	MECI40017		COMMUTAT.SWITCH 0-1-2 UN.	1,00	15/01/2011		--
IG	MECI40544		COMMUTAT.SWITCH 0-1-2 HD12H022-R000	1,00		14/01/2011	--
LC	MECE34831		FILTER LC F.AH.DA.3100ZF 6.5A	1,00		14/09/2007	--
PA	MEPD45940		DESCALING PUMP NME 1 24V 50/60HZ	1,00			--
RT	METT40037		THERMAL RELAY SIE 3RU2126-4BB0 14-20 A	1,00	04/09/2014		--
TA	METR34464		TRANSFORMER 230V-50HZ 2X4000V SP4 CM	1,00		14/09/2007	--
TA	METR88630		TRANSFORMER 23/240V-5/60HZ 2X26KV TR.	1,00	15/09/2007		--
TH	METK19354		THERMOSTAT 0-150° L=1500	1,00		14/12/2010	--
TH	METK40006		THERMOSTAT 0-150° L=1500 S&R	1,00	15/12/2010	31/12/2012	--
TH	METK40011		THERMOSTAT 0-150° L=1500 F&C	1,00	01/01/2013		--
TR	METR40631		TRANSFORMER 500VA 400V/24V CE	1,00			--
TS	METK34839		THERMOSTAT 60°C TR/711-N C.1.5	1,00			--
CKF	MEVR35664		PROTECTION ILME 10P FIX	1,00			--
CKF	MEVR35662		SOCKET ILME 10P+T	1,00			--
CV1	MECB38305		CABLE H07 RNF 4X4 L=6.500	1,00		05/07/2011	--
CV1	MECB89887		CABLE H07RNF 4X4 L. 6.500	1,00	06/07/2011		--
LS3	MELF40939		LAMP NEON 230V T120° SLX21.3	1,00			--
RL1	MERL13852		SWITCH RELAY OMR 24 VAC 10A MY2-S	1,00			--
RL2	MERL06520		SWITCH RELAY FIND 24V CA 60.13U	1,00			--
RL3	KTRI89315		KIT PX 5- 36 OMR-IWD/2	1,00			--
EV12	MEEV14389		BODY 1/4"SCEM PM139LV	2,00			--
EV12	MEBE29000		COIL SCEM ZB14-24V AC	2,00			--
F123	MEVR00237		FUSE 5X20 3,15A	3,00	25/10/2004		--
LS12	MELF48357		LAMP LUMI. 24V FAST	2,00			--
P1,2	MEPF39741		PRESSURE SWITCH MTM 1/8M NA/NC 25B. MICRO	2,00		31/05/2012	--
P1,2	MEPF40016		PRESSURE SWITCH PR 5 1/8M 25BAR RD.L.1300	2,00	01/06/2012		--



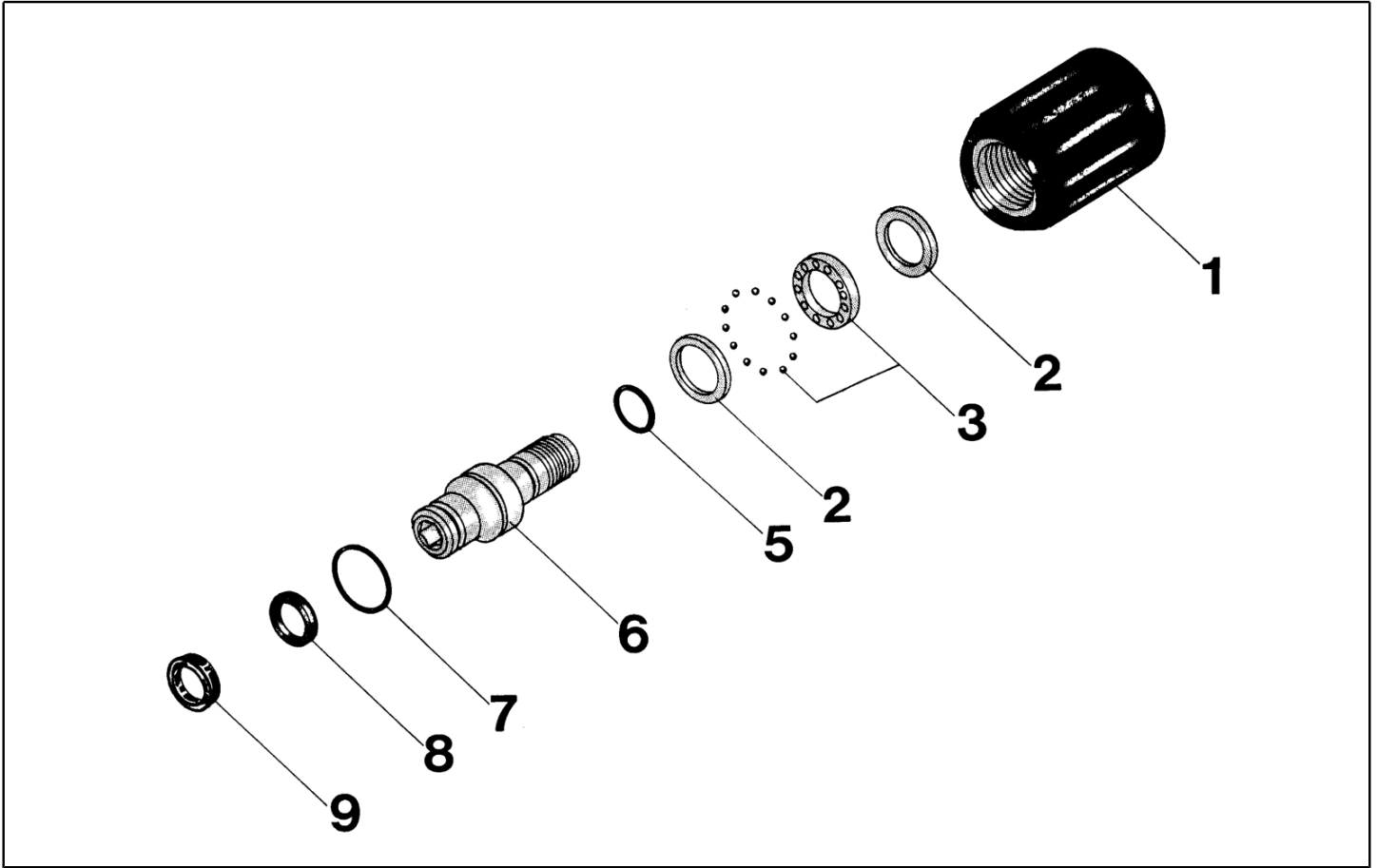
Ref. K	Part n.	Part n. 2	Description	Quantity	Validity		Price
					From	To	
0001	MFVR01097		HEAD W 151	1,00			--
0002	VTVT01111		SCREW TE M 8X70 UNI 5737 A.10.9	8,00			--
0003	VTRS01072		WASHER D. 8 TC	8,00			--
0009	S GUGO01033		O-RING D. 20.24 X 2.62 NBR 90SH	6,00			--
0010	S RCDS01087		CAP M24X2X16 OTT	6,00			--
0011	S VVAM01104		VALVE UNIT W 70-151	6,00			--
0012	VTVT01118		SCREW TCEI M 8X16 ZC. UNI 5931	8,00			--
0013	MFVR03576		CRANKASE COVER W151	1,00			--
0014	GUGO01041		O-RING D. 67.95 X 2.62 NBR 70SH	2,00			--
0015	CUVR09205		ROLLER BEARING 32206 A	2,00			--
0016	S GUGO01000		OIL SEAL 22X 32X 5 NBR70	3,00			--
0017	PVVR01011		BUSHING W 151	3,00			--
0018	MFVR01013		PUMP CRANKCASE W 151	1,00			--
0019	PVVR01092		OIL DIPSTICK W 151	1,00			--
0020	GUGO34590		O-RING D. 133.02 X 2.62 NBR 70SH	1,00			--
0021	ALMO06514		SHAFT WS202	1,00			--
0022	VTAE14016		CIRCLIP D. 12 UNI 7435	6,00			--
0023	VTVR41531		KEY 8X 7X35 UNI 6604A	1,00			--
0024	PVVR01085		GUDGEON D.13X35 W151	3,00			--
0025	PVVR01029		PISTON GUIDE W 151	3,00			--
0026	BLVR01009		CONNECTING ROD W 151	3,00			--
0027	VTVT01116		SCREW TCEI 6X30 UNI5931	5,00			--
0028	MFVR03582		CRANKASE COVER W 151 POS	1,00			--
0029	PVVR01083		OIL INDICATOR G 3/4 W70-151	1,00			--
0030	RCDS01088		CAP 1/4X 9 M WW90	1,00			--
0031	S GUGO01036		O-RING D. 10.82 X 1.78 NBR 70SH	4,00			--
0032	VTVT01120		SCREW TCEI 8X35 UNI5931	6,00			--
0033	VTRS14242		WASHER D. 8.4X13X0.8 UNI7064 SCH	6,00			--
0034	S VTRS01753		WASHER D.14X28 X0,5	3,00			--
0035	PIVR01066		PISTON D.20X50 W 151	3,00			--
0036	S GUVR00994		ANTI-EXTR.RING W151	3,00			--
0037	S VTRS01076		WASHER D.14X18,5X0,5	3,00			--
0038	S PVVR01107		PISTON BOLT IP W151	3,00			--
0039	MFVR03583		CRANKASE COVER W151	1,00			--
0040	PVVR01016		THICKNESS 0,1 W 151	2,00			--
0041	S GUGO01003		OIL SEAL 30X 55X 7 NBR70	1,00			--
0042	S GUGO01042		O-RING D. 34.6 X 1.78 NBR 70SH	3,00			--
0043	S PVVR00977		PACKING RETAIN. W151	3,00			--
0044	S GUVR00981		PACKING W151	3,00			--
0045	S PVVR00985		HEAD RING W151	3,00			--
0046	S PVVR34589		INTERMED. RING W 151 D. 20	3,00			--
0047	S GUVR34587		PACKING D. 20 RESTOP	3,00			--
0051	RCDS01091		CAP 1/2X10 M	1,00			--
0052	VTRS01075		WASHER D.21,5X27 ALL	1,00			--



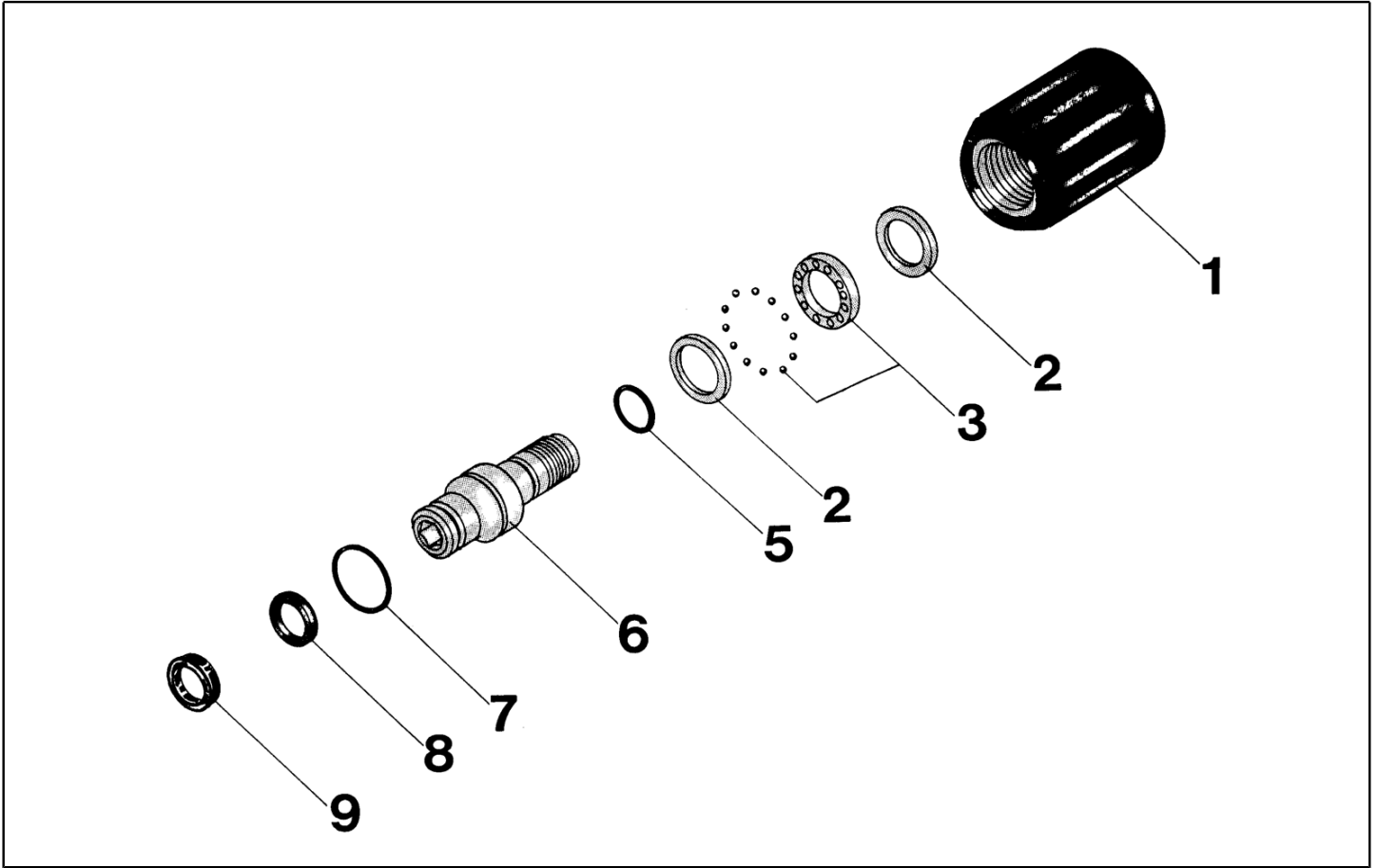
Ref. K	Part n.	Part n. 2	Description	Quantity	Validity		Price
					From	To	
0053	RCDS01090		CAP 3/8X13 M WW90	1,00			--
0054	VTRS01074		WASHER D.17,05X22,3 X1,5	1,00			--
0056	S	GUVR34585	PACKING W 151 L.P.	3,00			--



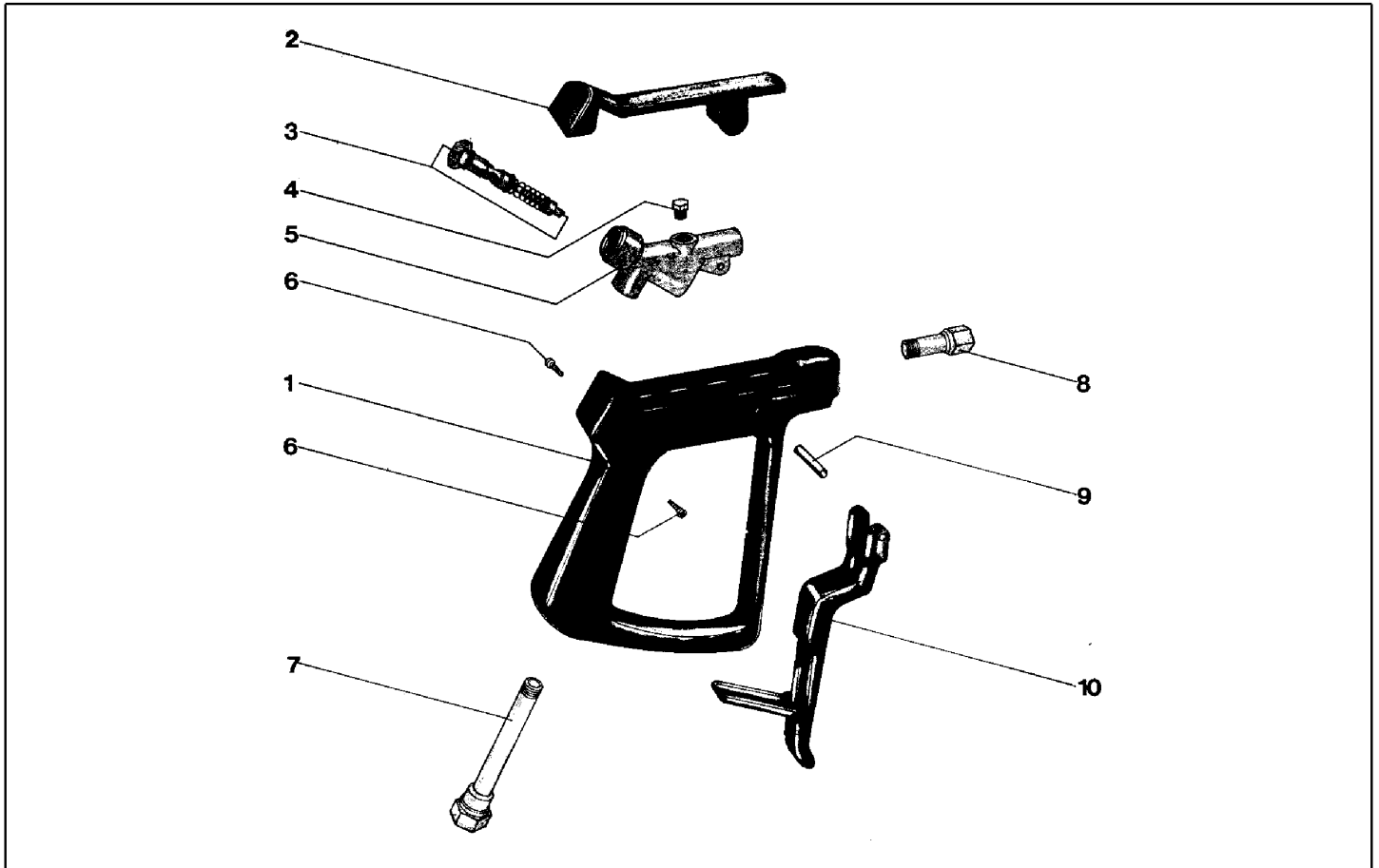
Ref. Part n.	Part n. 2	Description	Reference	Price
KTRI17795		KIT P 4	0009 0010	--
KTRI17859		KIT P 1	0011	--
KTRI17860		KIT P 15- 2	0016	--
KTRI17793		KIT P 6	0031 0034 0036 0037 0038	--
KTRI14900		KIT P 15- 3	0041	--
KTRI14901		KIT P 10	0042 0043	--
KTRI18579		KIT P 28	0042 0043 0044 0045 0046 0047 0056	--
KTRI18574		KIT P 7	0045	--
KTRI36927		KIT P 69	0044 0047 0056	--
KTRI35429		KIT P 71	0046 0047	--



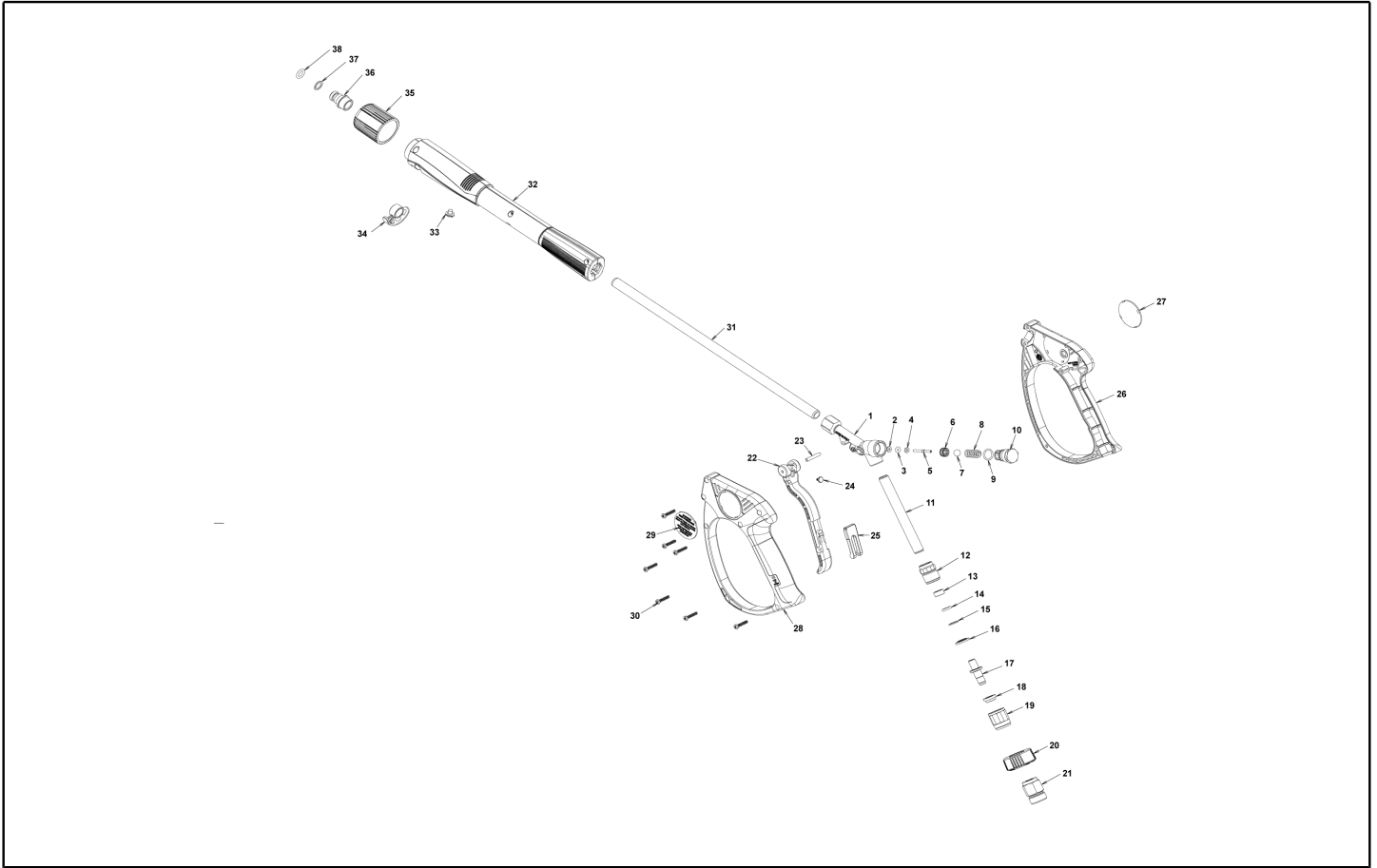
Ref. K	Part n.	Part n. 2	Description	Quantity	Validity		Price
					From	To	
0001	PVVR16587		RING NUT M22X1.5 ST 44	1,00			--
0002	PVVR16588		WASHER ST 44	1,00			--
0003	CUVR16589		BALL BEARING ST 44	1,00			--
0005	GUGO16615		O-RING D. 10 X 1.5 NBR 70SH	1,00			--
0006	RCDS18139		GUDGEON G 1/4M ST 44 INX	1,00			--
0007	GUGO16614		O-RING D. 17 X 1.5 NBR 70SH	1,00			--
0008	S GUVR16593		ANTI-EXTR.RING D. 9.91X14.27 BR.	1,00			--
0009	S GUGO16594		O-RING D. 9.13 X 2.62 EPDM 70SH	1,00			--



Ref. Part n.	Part n. 2	Description	Reference	Price
KTRI16595		KIT P 33-2	0008 0009	--

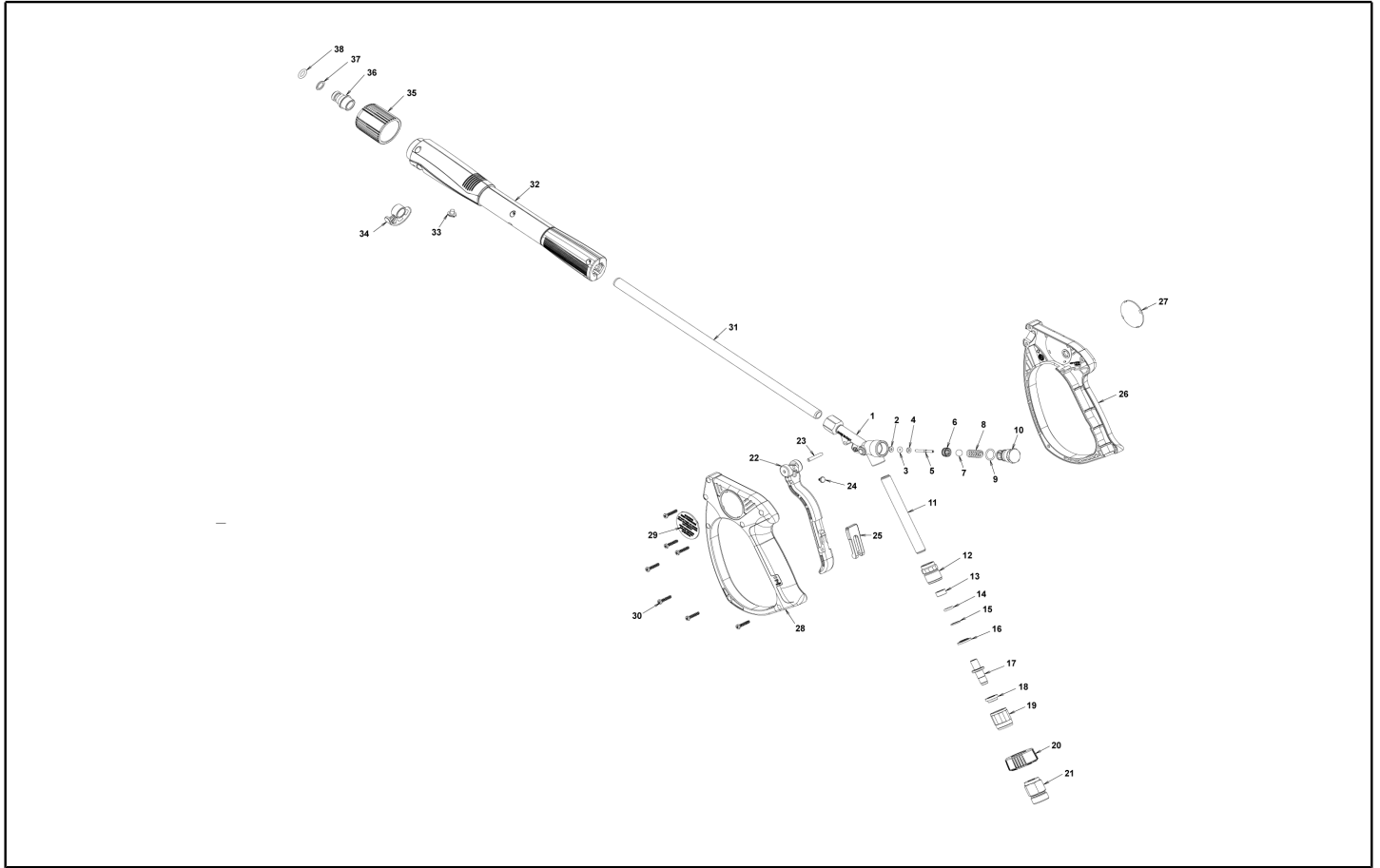


Ref. K	Part n.	Part n. 2	Description	Quantity	Validity		Price
					From	To	
0001	PVVR08141		BODY ST 2000	1,00			--
0002	PVVR08142		COVER ST 2000	1,00			--
0003	KTRI10689		KIT P 26- 1	1,00			--
0004	RCDS08145		CAP G 1/8" OT	1,00			--
0005	PVVR08146		BRASS HOUSING ST 2000	1,00			--
0006	VTVT28553		SCREW TCB-TC 3.5X16	2,00			--
0007	PVVR29763		PIPE G 1/4" +RCC 3/8"	1,00			--
0008	PVVR08147		CONNECTOR 1/4 ST 2000	1,00			--
0009	PVVR08149		PIN ST 2000	1,00			--
0010	PVVR08143		CONTROL LEVER	1,00			--



Ref. K	Part n.	Part n. 2	Description	Quantity	Validity		Price
					From	To	
0001	PVVR40402		GUN BODY G5000-V/2 G1/4F	1,00			--
0002	S GUGO17952		O-RING D. 2.84 X 2.62 NBR 70SH	1,00			--
0003	S GUGO21835		O-RING D. 2.84 X 2.62 VIT. 80SH	1,00			--
0004	S VTRS40024		WASHER D. 3 X 7 X1,5 OT	1,00			--
0005	S PVVR40404		SMALL PISTON G5000-V/2	1,00			--
0006	S PVVR40112		BALL SEAT G 5000	1,00			--
0007	S SFVR06779		BALL INOX 11/32	1,00			--
0008	MLML40016		SPRING D. 9.4 x21.5x1.6 G5000	1,00			--
0009	S GUGO21841		O-RING D. 12.42 X 1.78 NBR 90SH	1,00			--
0010	PVVR40113		CAP G 5000	1,00			--
0011	PVVR40405		TUBE G 1/4" L.115	1,00			--
0012	RCIN40024		CONNECTOR SWIV G5000-V/2 1/4F	1,00			--
0013	S PVVR40406		BUSHING G5000-V/2	1,00			--
0014	S PVVR40403		RING SW. G5000-V/2	1,00			--
0015	S GUVR40081		ANTI-EXTR.RING D.9 X13.2X1.2	1,00			--
0016	S PVVR40407		SPACER G5000-V/2	1,00			--
0017	S PVVR40408		PIN G5000-V/2	1,00			--
0018	S PVVR40409		BUSHING C/GRAD. G5000-V/2	1,00			--
0019	PVVR40410		NIPPLE G5000-V/2	1,00			--
0020	PVVR40411		KNOB SWIVEL G5000-V/2	1,00			--
0021	RCIN40025		CONNECTOR SWIV G5000-V/2 M22	1,00			--
0022	S MPVR40628		TRIGGER G5000-V/2	1,00			--
0023	S VTVR40008		PLUG D. 3 G5000	1,00			--
0024	S PVVR45053		PAWL G 2100 INX	1,00			--
0025	S MPVR40629		SAFETY-DEVICE G 5000-SW	1,00			--
0026	MPVR40630		SHELL G5000-V/2 DX	1,00			--
0027	MPVR40631		PLATE G5000-V/2	1,00			--
0028	MPVR40632		SHELL G5000-V/2 SX	1,00			--
0029	MPVR40633		PLATE G5000-V/2 SX	1,00			--
0030	VTVT62984		SCREW TC-CR M 4.2 X19 ZN	7,00			--
0031	LCPR40015		TUBE 1/4 L=370 ZC. 0°	1,00			--
0032	MPVR40195		PROTECTION P 370 MV	1,00			--
0033	MPVR40198		CAP G 5000	1,00			--
0034	MPVR40197		CAP G 5000 FIX.	1,00			--
0035	PVVR40119		CONNECTION M22X1,5 IRV G5000	1,00			--
0036	RCIN40009		GUIDGEON G 1/4 F IRV G5000	1,00			--
0037	GUVR40034		ANTI-EXTR.RING D. 10 X14	1,00			--
0038	GUGO40055		O-RING D. 9.19 X 2.62 - VIT.75	1,00			--





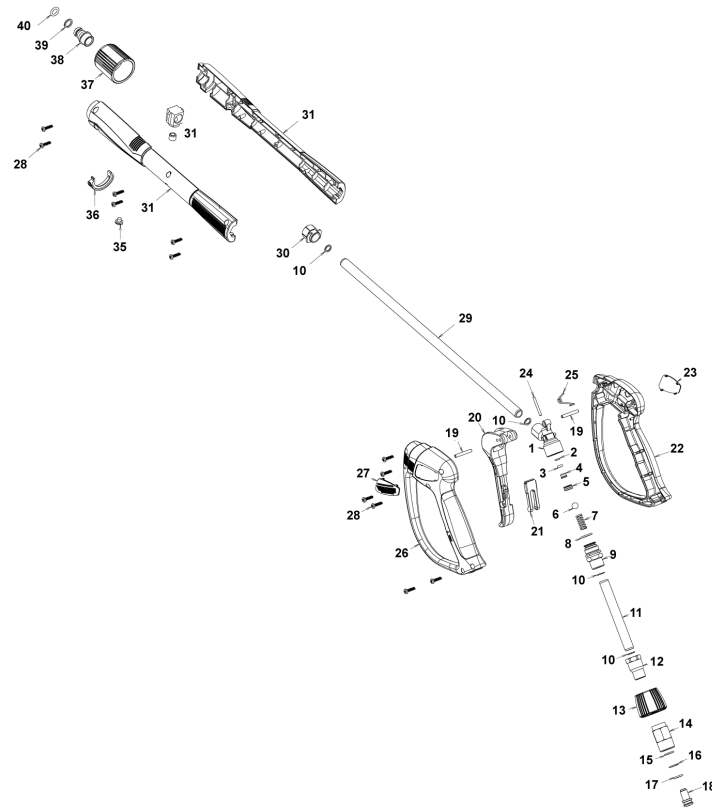
Ref. Part n.	Part n. 2	Description	Reference	Price
KTRI40287		KIT P 26- 29 OR SEDE G5000-V/2	0002 0003 0004 0005 0006 0007 0009	--
KTRI40285		KIT P 26- 27 SWIVEL G5000-V/2	0013 0014 0015 0016 0017 0018	--
KTRI40286		KIT P 26- 28 LEVA G5000-V/2	0022 0023 0024 0025	--



Ref. K	Part n.	Part n. 2	Description	Quantity	Validity		Price
					From	To	
0001	PVVR40381		GUN BODY G 5100 G1/4F	1,00			--
0002	S	GUVR40074	ANTI-EXTR.RING D. 3 X 7.4X1.3	1,00			--
0003	S	GUGO21835	O-RING D. 2.84 X 2.62 VIT. 80SH	1,00			--
0004		PVVR40382	PISTON GUIDE G 5100	1,00			--
0005	S	PVVR40112	BALL SEAT G 5000	1,00			--
0006	S	SFVR40002	BALL D.11/32" ALL GR16	1,00			--
0007		MLML40016	SPRING D. 9.4 x21.5x1.6 G5000	1,00			--
0008		GUGO12322	O-RING D. 14 X 1.78 NBR 90SH	1,00			--
0009		PVVR40383	CONNECTOR COLL.G5100 1/4F	1,00			--
0010		VTRS40017	WASHER D. 8.2X11,4X1.00	4,00			--
0011		PVVR40384	TUBE G 1/4" L.105	1,00			--
0012		RCIN40022	CONNECTOR SWIV G5100 1/4F	1,00			--
0013		MPVR40819	RING NUT G 5100 SW. BK.	1,00			--
0014		RCIN40021	JOINT SWIV 5100 M22	1,00			--
0015	S	GUVR40075	ANTI-EXTR.RING D. 10 X14X1.5	1,00			--
0016	S	GUVR40076	ANTI-EXTR.RING D. 11.2X14X1.2	1,00			--
0017	S	GUGO15295	O-RING D. 10.82 X 1.78 VIT 75SH	1,00			--
0018		PVVR40386	SCREW SW. G 5100	1,00			--
0019		VTVR40047	PLUG D. 4X29	2,00			--
0020		MPVR40820	TRIGGER G 6000-SW	1,00			--
0021		MPVR40821	SAFETY-DEVICE G 6000-SW	1,00			--
0022		MPVR40822	SHELL G 6000-SW DX	1,00			--
0023		MPVR40823	PLATE G 6000 GR.DX	1,00			--
0024		PVVR40387	SMALL PISTON G 5100	1,00			--
0025		MLML40029	SPRING G 5100	1,00			--
0026		MPVR40824	SHELL G 6000-SW SX	1,00			--
0027		MPVR40825	PLATE G 6000 GR.SX	1,00			--
0028		VTVT40043	SCREW AF 4X 14 HILO ZN.N	12,00			--
0029		LCPR40086	TUBE 1/4 L=420 ZC. 0°	1,00			--
0030		MPVR40493	CONNECTOR G 5100-SW	1,00			--
0031		MPVR40494	PROTECTION P 420 C/AN.	1,00			--
0035		MPVR40198	CAP G 5000	1,00			--
0036		MPVR40495	CAP G 5100 REM.	1,00			--
0037		PVVR40119	CONNECTION M22X1,5 IRV G5000	1,00			--
0038		RCIN40009	GUDGEON G 1/4 F IRV G5000	1,00			--
0039		GUVR40034	ANTI-EXTR.RING D. 10 X14	1,00			--
0040		GUGO01946	O-RING D. 9.13 X 2.62 VIT 70SH	1,00			--



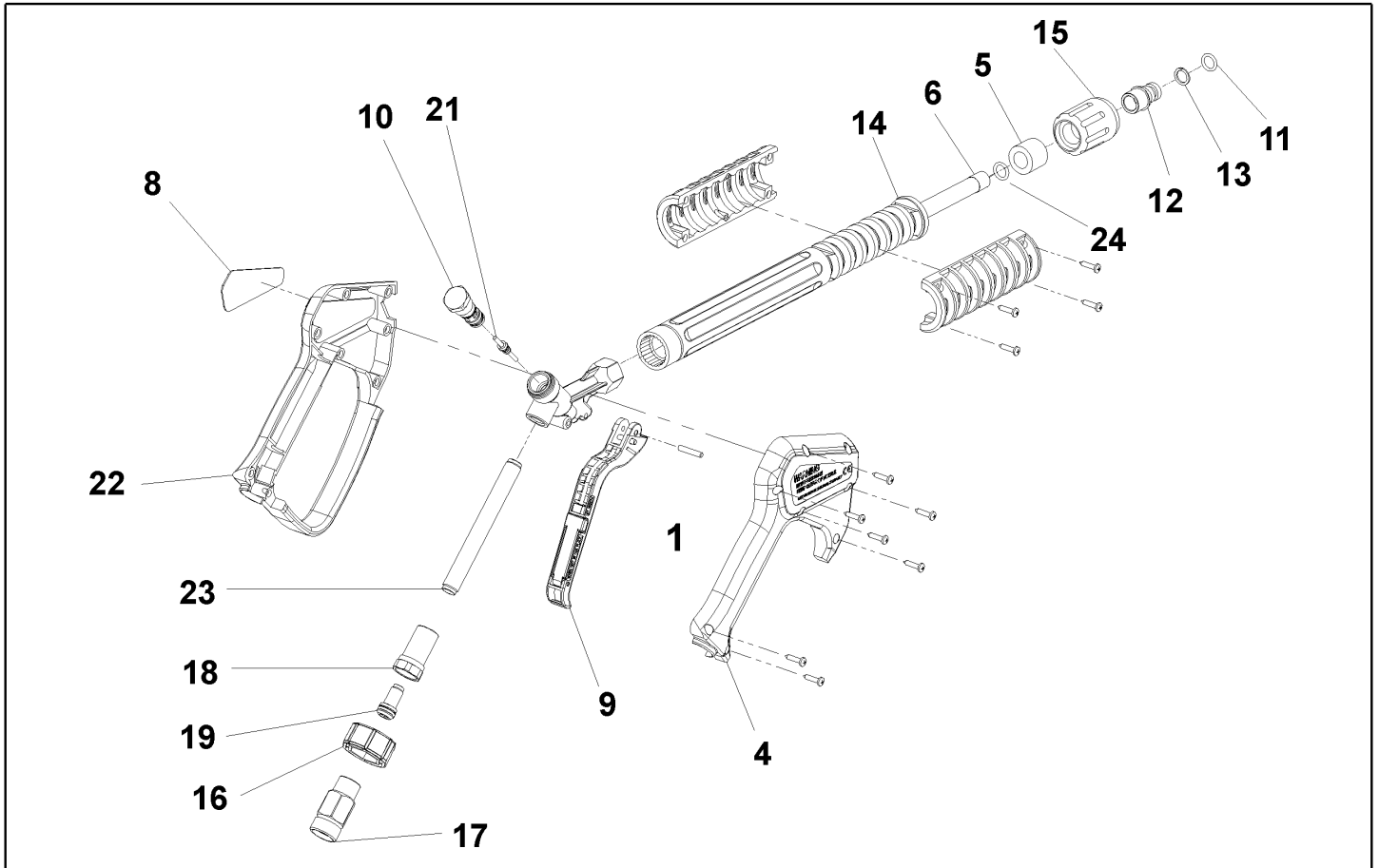
Ref. Part n.	Part n. 2	Description	Reference	Price
KTRI40243		KIT P 26- 26 SWIVEL G 5100	0015 0016 0017	--
KTRI40414		KIT P 26- 34 G 6000	0002 0003 0005 0006	--



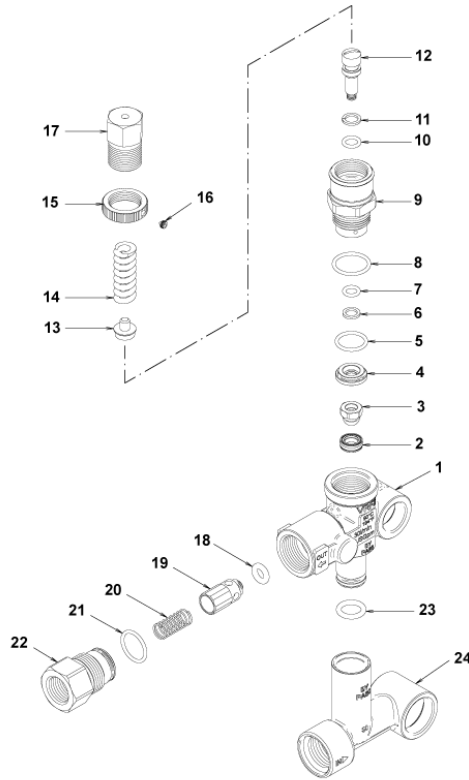
Ref. K	Part n.	Part n. 2	Description	Quantity	Validity		Price
					From	To	
0001	PVVR40381		GUN BODY G 5100 G1/4F	1,00			--
0002	S	GUVR40074	ANTI-EXTR.RING D. 3 X 7.4X1.3	1,00			--
0003	S	GUGO21835	O-RING D. 2.84 X 2.62 VIT. 80SH	1,00			--
0004		PVVR40382	PISTON GUIDE G 5100	1,00			--
0005	S	PVVR40563	BALL SEAT AL36 G6000 + OR	1,00			--
0006	S	SFVR40004	BALL D. 5/16" ALL.GR16	1,00			--
0007		MLML40047	SPRING D. 9.4 x23.5x1.6 G6000	1,00			--
0008		GUGO12322	O-RING D. 14 X 1.78 NBR 90SH	1,00			--
0009		PVVR40383	CONNECTOR COLL.G5100 1/4F	1,00			--
0010		VTRS40017	WASHER D. 8.2X11,4X1.00	4,00			--
0011		PVVR40384	TUBE G 1/4" L.105	1,00			--
0012		RCIN40022	CONNECTOR SWIV G5100 1/4F	1,00			--
0013		MPVR40967	RING NUT G 6000 SW. GR.	1,00			--
0014		RCIN40021	JOINT SWIV 5100 M22	1,00			--
0015	S	GUVR40075	ANTI-EXTR.RING D. 10 X14X1.5	1,00			--
0016	S	GUVR40076	ANTI-EXTR.RING D. 11.2X14X1.2	1,00			--
0017	S	GUGO15295	O-RING D. 10.82 X 1.78 VIT 75SH	1,00			--
0018		PVVR40386	SCREW SW. G 5100	1,00			--
0019		VTVR40047	PLUG D. 4X29	2,00			--
0020		MPVR40820	TRIGGER G 6000-SW	1,00			--
0021		MPVR40821	SAFETY-DEVICE G 6000-SW	1,00			--
0022		MPVR40822	SHELL G 6000-SW DX	1,00			--
0023		MPVR40968	PLATE G 6000/2 GR.DX	1,00			--
0024		PVVR40564	SMALL PISTON G 6000 AL36 SP.	1,00			--
0025		MLML40029	SPRING G 5100	1,00			--
0026		MPVR40824	SHELL G 6000-SW SX	1,00			--
0027		MPVR40825	PLATE G 6000 GR.SX	1,00			--
0028		VTVT40043	SCREW AF 4X 14 HILO ZN.N	12,00			--
0029		LCPR40181	TUBE 1/4 L=416 ZC. 0°	1,00			--
0030		MPVR40493	CONNECTOR G 5100-SW	1,00			--
0031		MPVR40494	PROTECTION P 420 C/AN.	1,00			--
0035		MPVR40198	CAP G 5000	1,00			--
0036		MPVR40495	CAP G 5100 REM.	1,00			--
0037		PVVR40119	CONNECTION M22X1,5 IRV G5000	1,00			--
0038		RCIN40048	GUDGEON G 1/4 F IRV G6000/2	1,00			--
0039		GUVR40034	ANTI-EXTR.RING D. 10 X14	1,00			--
0040		GUGO63555	O-RING D. 9.3 X 2,4 VIT 75SH	1,00			--



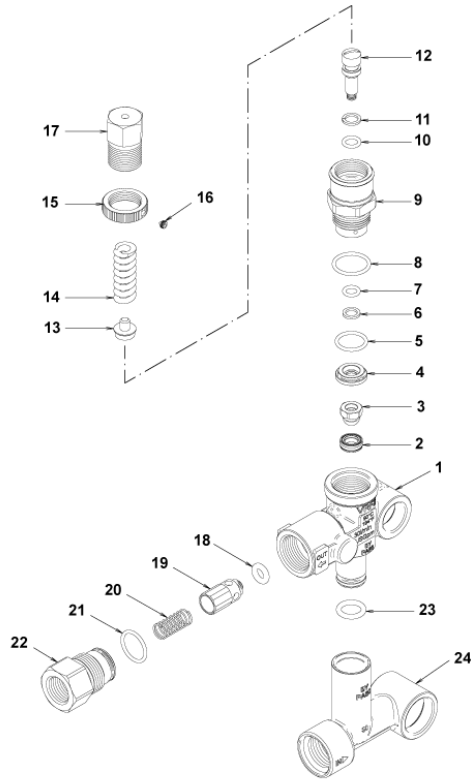
Ref. Part n.	Part n. 2	Description	Reference	Price
KTRI40243		KIT P 26- 26 SWIVEL G 5100	0015 0016 0017	--
KTRI40513		KIT P 26- 36 G 6000/II	0002 0003 0005 0006	--



Ref. K	Part n.	Part n. 2	Description	Quantity	Validity		Price
					From	To	
0001	VTVR46568		PLUG G 4500	1,00			--
0004	MPVR46563		COVER G 4500	1,00		30/04/2008	--
0004	MPVR40157		COVER G 4500 2V.	1,00	01/05/2008		--
0005	MPVR46572		SPACER P 330 ST	1,00			--
0006	LCPR46571		TUBE 1/4 L=352 ZC.	1,00		30/04/2008	--
0006	LCPR40007		TUBE 1/4 L=352 ZC. 2V.	1,00	01/05/2008		--
0008	MPVR46569		PLATE G 4500 RD.	1,00			--
0009	MPVR40057		TRIGGER G 4500 -SW	1,00			--
0010	PVVR40030		SMALL PISTON TM ST-2300	1,00			--
0011	GUGO10384		O-RING D. 10 X 2.2 VIT 80SH	1,00			--
0012	RCVR13030		GUDGEON G 1/4 F L=31.5	1,00			--
0013	GUVR10526		ANTI-EXTR.RING D.13.9X10.2 C.BZ	1,00			--
0014	MPVR46570		PROTECTION P 330 ST	1,00			--
0015	PVVR13445		CONNECTION M 22X1,5 L=45	1,00			--
0016	MPVR40058		RING NUT G4500 SW.	1,00			--
0017	RCIN40001		JOINT SWIV 4500 3/8"F	1,00		30/04/2008	--
0017	RCIN40005		JOINT SWIV 4500 3/8"F 2V.	1,00	01/05/2008		--
0018	RCIN31641		CONNECTOR SWIV 1500 F	1,00			--
0019	KTRI31645		KIT P 26- 14	1,00			--
0021	PVVR40031		ROD ST-2300	1,00			--
0022	MPVR46562		SHELL G 4500	1,00		30/04/2008	--
0022	MPVR40156		SHELL G 4500 2V.	1,00	01/05/2008		--
0023	PVVR40023		TUBE G 1/4" M/M P/SW.	1,00			--
0024	GUGO27021		O-RING D. 11 X 2.5 EPD 70SH	1,00	01/05/2008		--

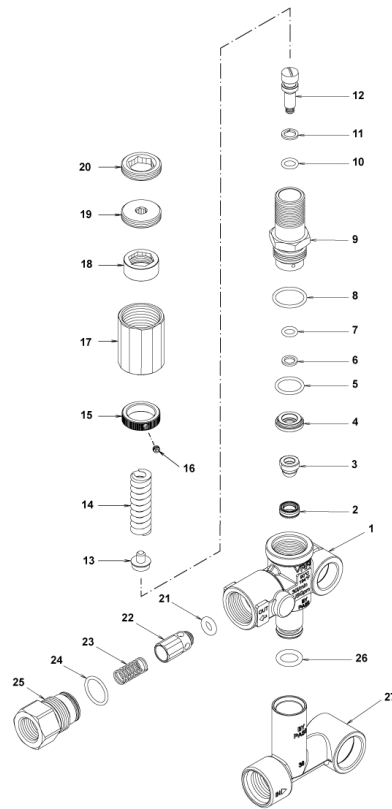


Ref. K	Part n.	Part n. 2	Description	Quantity	Validity		Price
					From	To	
0001	PVVR40362		VALVE BODY VRF2	1,00			--
0002	S PVVR40363		VALVE SEAT MV124 +OR	1,00			--
0003	S PVVR40364		COUPLING MV124	1,00			--
0004	S PVVR40365		SPACER MV124	1,00			--
0005	S GUGO12322		O-RING D. 14 X 1.78 NBR 90SH	1,00			--
0006	S GUVR40072		ANTI-EXTR.RING D. 6.5X 9.4	1,00			--
0007	S GUGO83861		O-RING D. 6.07 X 1.78 NBR 90SH	1,00			--
0008	S GUGO24913		O-RING D. 17.17 X 1.78 NBR 90SH	1,00			--
0009	S PVVR40366		CONNECTOR VRF2 D.10	1,00			--
0010	S GUGO03500		O-RING D. 6.75 X 1.78 NBR 70SH	1,00			--
0011	S GUVR40073		ANTI-EXTR.RING D. 7.1X10 X1.2 TBT	1,00			--
0012	S PVVR40367		SMALL PISTON D.10 VRF2	1,00			--
0013	PVVR40368		SPRING PLATE MV124 25B	1,00			--
0014	MLML40027		SPRING D. 3.0/6.0 X38.85	1,00			--
0015	PVVR40369		RING NUT MV167.09	1,00			--
0016	VTVT89696		SCREW EI-ST 4X 4 UNI5927 ZC	1,00			--
0017	PVVR40370		CAP VRF2 M18X1	1,00			--
0018	S GUGO46053		O-RING D. 6 X 3 NBR 90SH	1,00			--
0019	S PVVR40349		COUPLING VRT3	1,00			--
0020	S MLML40026		SPRING VRT3	1,00			--
0021	S GUGO12321		O-RING D. 15.6 X 1.78 NBR 90SH	1,00			--
0022	PVVR40350		CONNECTOR VRT3 G 3/8F	1,00			--
0023	GUGO11225		O-RING D. 10.78 X 2.62 NBR 70SH	1,00			--
0024	PVVR40371		CONNECTOR VRF2.38	1,00			--

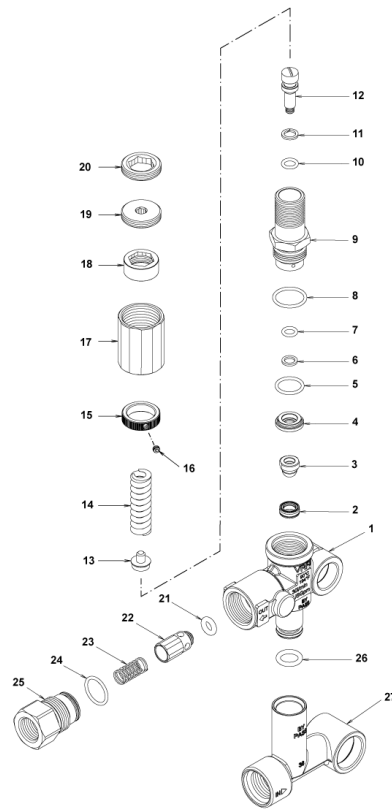


Ref. Part n.	Part n. 2	Description	Reference	Price
KTRI40236		KIT P 14-103 VRF2	0002 0003 0004 0005 0006 0007 0008 0009 0010 0011 0012 0018 0019 0020 0021	--
KTRI40237		KIT P 14-104 SEAL VRF2	0002 0003 0005 0006 0007 0008 0010 0011 0018 0021	--

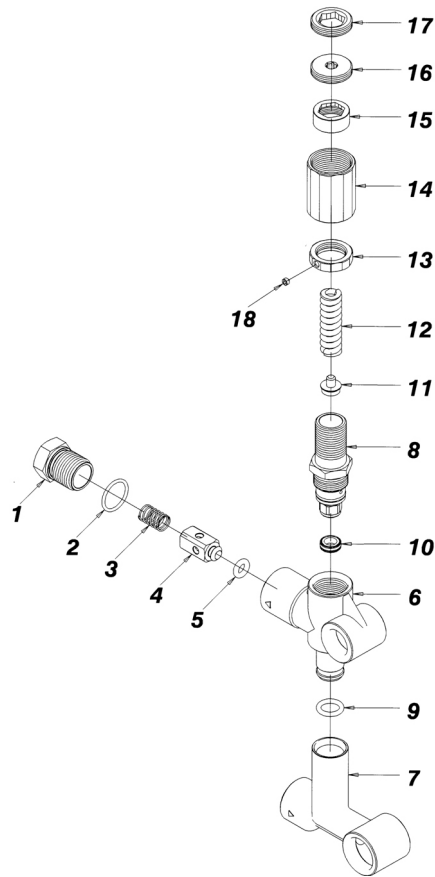




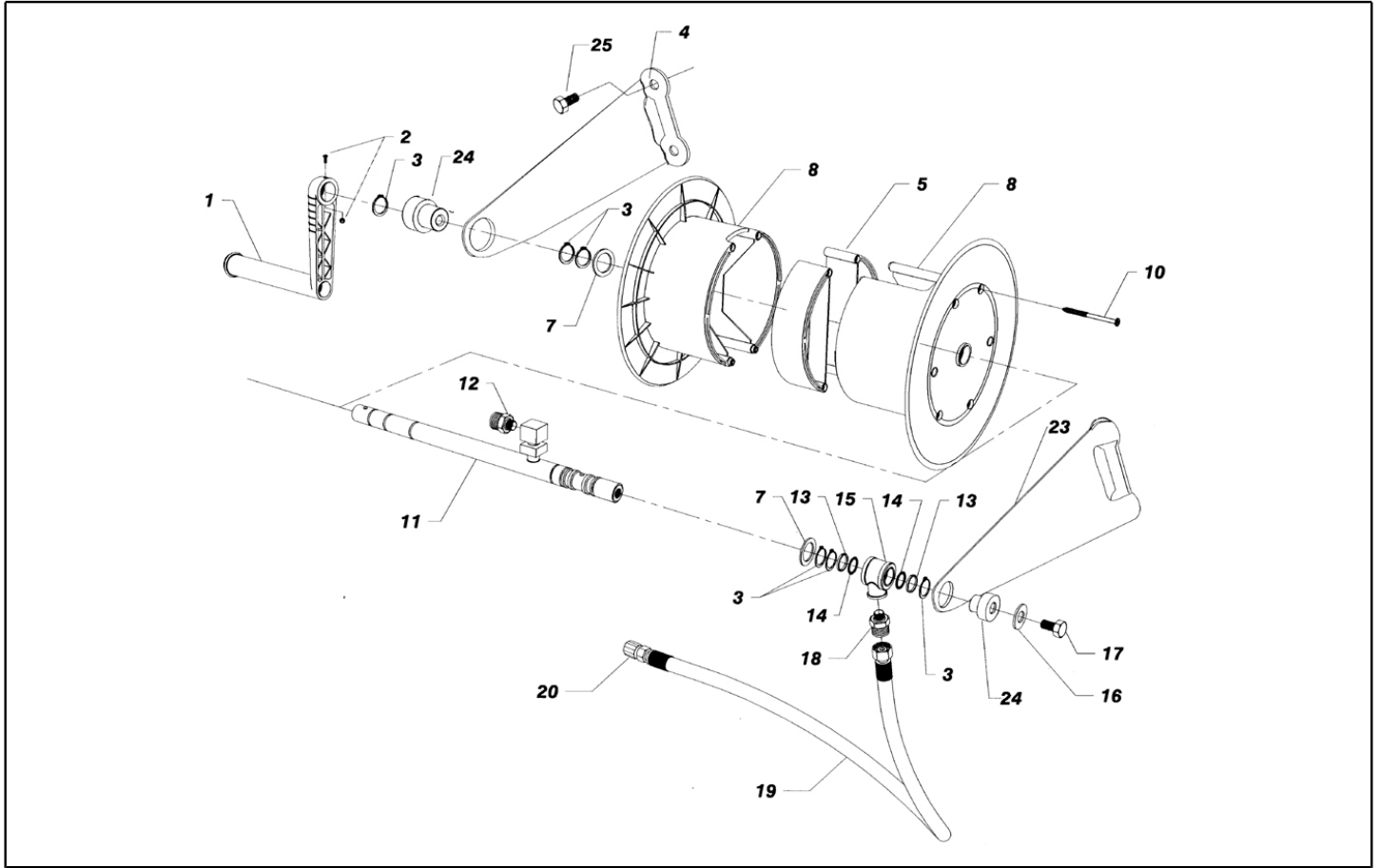
Ref. K	Part n.	Part n. 2	Description	Quantity	Validity		Price
					From	To	
0001	PVVR40362		VALVE BODY VRF2	1,00			--
0002	S	PVVR40363	VALVE SEAT MV124 +OR	1,00			--
0003	S	PVVR40364	COUPLING MV124	1,00			--
0004	S	PVVR40365	SPACER MV124	1,00			--
0005	S	GUGO12322	O-RING D. 14 X 1.78 NBR 90SH	1,00			--
0006	S	GUVR40072	ANTI-EXTR.RING D. 6.5X 9.4	1,00			--
0007	S	GUGO83861	O-RING D. 6.07 X 1.78 NBR 90SH	1,00			--
0008	S	GUGO24913	O-RING D. 17.17 X 1.78 NBR 90SH	1,00			--
0009	S	PVVR40388	CONNECTOR VRF2 RG.165 56A	1,00			--
0010	S	GUGO03500	O-RING D. 6.75 X 1.78 NBR 70SH	1,00			--
0011	S	GUVR40073	ANTI-EXTR.RING D. 7.1X10 X1.2 TBT	1,00			--
0012	S	PVVR40367	SMALL PISTON D.10 VRF2	1,00			--
0013	S	PVVR40368	SPRING PLATE MV124 25B	1,00			--
0014	S	MLML47987	SPRING D. 3.25X41.1 MV 625	1,00			--
0015	S	PVVR40369	RING NUT MV167.09	1,00			--
0016	S	VTVT89696	SCREW EI-ST 4X 4 UNI5927 ZC	1,00			--
0017	S	PVVR47989	CAP MV 625 REG.	1,00			--
0018	S	PVVR47990	RING NUT MV 625 REG.	1,00			--
0019	S	PVVR47991	REGISTER MV 625 REG.	1,00			--
0020	S	PVVR47992	CLAMP MV 625 REG.	1,00			--
0021	S	GUGO46053	O-RING D. 6 X 3 NBR 90SH	1,00			--
0022		PVVR40349	COUPLING VRT3	1,00			--
0023		MLML40026	SPRING VRT3	1,00			--
0024	S	GUGO12321	O-RING D. 15.6 X 1.78 NBR 90SH	1,00			--
0025		PVVR40350	CONNECTOR VRT3 G 3/8F	1,00			--
0026		GUGO11225	O-RING D. 10.78 X 2.62 NBR 70SH	1,00			--
0027		PVVR40371	CONNECTOR VRF2.38	1,00			--



Ref. Part n.	Part n. 2	Description	Reference	Price
KTRI40237		KIT P 14-104 SEAL VRF2	0002 0003 0005 0006 0007 0008 0010 0011 0021 0024	--
KTRI40256		KIT P 14-105 VRF2 Reg.	0002 0003 0004 0005 0006 0007 0008 0009 0010 0011 0012 0013 0014 0015 0016 0017 0018 0019 0020	--



Ref. K	Part n.	Part n. 2	Description	Quantity	Validity		Price
					From	To	
0001	PVVR47977		CONNECTOR MV625 G 3/8F	1,00			--
0002	GUGO01058		O-RING D. 17.17 X 1.78 NBR 70SH	1,00			--
0003	MLML47978		SPRING MV 625	1,00			--
0004	PVVR47979		PIN MV 625	1,00			--
0005	GUGO46053		O-RING D. 6 X 3 NBR 90SH	1,00			--
0006	PVVR47980		VALVE BODY MV 625	1,00			--
0007	PVVR47997		CONNECTOR MV 625 H.73	1,00			--
0008	PVVR47988		CONNECTOR MV 625 REG.	1,00			--
0009	GUGO11225		O-RING D. 10.78 X 2.62 NBR 70SH	1,00			--
0010	PVVR47985		VALVE SEAT MV 625 + O-RING	1,00			--
0011	PVVR47986		SPRING PLATE MV 625	1,00			--
0012	MLML47987		SPRING D. 3.25X41.1 MV 625	1,00			--
0013	PVVR47984		RING NUT MV 625	1,00			--
0014	PVVR47989		CAP MV 625 REG.	1,00			--
0015	PVVR47990		RING NUT MV 625 REG.	1,00			--
0016	PVVR47991		REGISTER MV 625 REG.	1,00			--
0017	PVVR47992		CLAMP MV 625 REG.	1,00			--
0018	VTVT24918		SCREW EI-ST 4X 4 UNI5927	1,00			--



Ref. K	Part n.	Part n. 2	Description	Quantity	Validity		Price
					From	To	
0001	MPVR31495		HANDLE PRT D. 3.5	1,00			--
0002	VTVT43875		SCREW TSPEI 4X40 UNI5933	1,00			--
0003	VTAE33674		CIRCLIP D. 22 UNI 7435	3,00			--
0004	LAFN49149		HOSE WIND.SUPP. IWD/2 SX	1,00			--
0005	MPVR39257		SPACER A.T PP	2,00			--
0006	VTVT29165		SCREW AF TCB-TC 5 X20 TL	8,00			--
0007	VTRS04924		WASHER D.23X 39	1,00			--
0008	MPVR37152		HOSE REEL PRT PP	2,00		30/09/2013	--
0008	MPVR40581		HOSE REEL PRT.ANM PP	2,00	01/10/2013		--
0010	VTVT39735		SCREW TCB-TC 5 X80 TL P/PLS	4,00			--
0011	LAFN48953		AXLE PRT 2V. 3PZ.	1,00	10/06/2003		--
0012	RCIN10577		MALE COUPLING 1/4MA	1,00			--
0012	VTDD04369		NUT M 4 TEF UNI 7473	1,00			--
0013	GUVR37665		ANTI-EXTR.RING D.17.8X22 X1.5 PTFE	2,00			--
0014	GUGO01032		O-RING D. 17.13 X 2.62 NBR 70SH	2,00			--
0015	RCDS37667		BLOCK PRT OT.	1,00		04/06/2010	--
0015	RCDS89862		BLOCK PRT-P237 G3/8 OT.	1,00	05/06/2010		--
0016	VTRS00514		WASHER D.10X30X11.4	1,00			--
0017	VTVT00454		SCREW TE 10X16	1,00			--
0018	RCDS00608		NIPPLE 3/8 - 1/4 SV	1,00		04/06/2010	--
0018	RCDS00610		NIPPLE 3/8 - 3/8 SV	1,00	05/06/2010		--
0019	TBAP25930		HOSE-FITTING 5/16 R2 L=630 0- 0° 3/8F	1,00			--
0020	RCIN03755		FEMALE COUPLIN. 3/8MB	1,00			--
0023	LAFN49147		HOSE WIND.SUPP. IWD/2 DX	1,00			--
0024	MPVR45822		BUSHING D.28-38/22.5 L=24.5 PVC N	1,00			--
0025	VTVT13797		SCREW TE 8X16 UNI8111 SW.FRM	4,00			--