

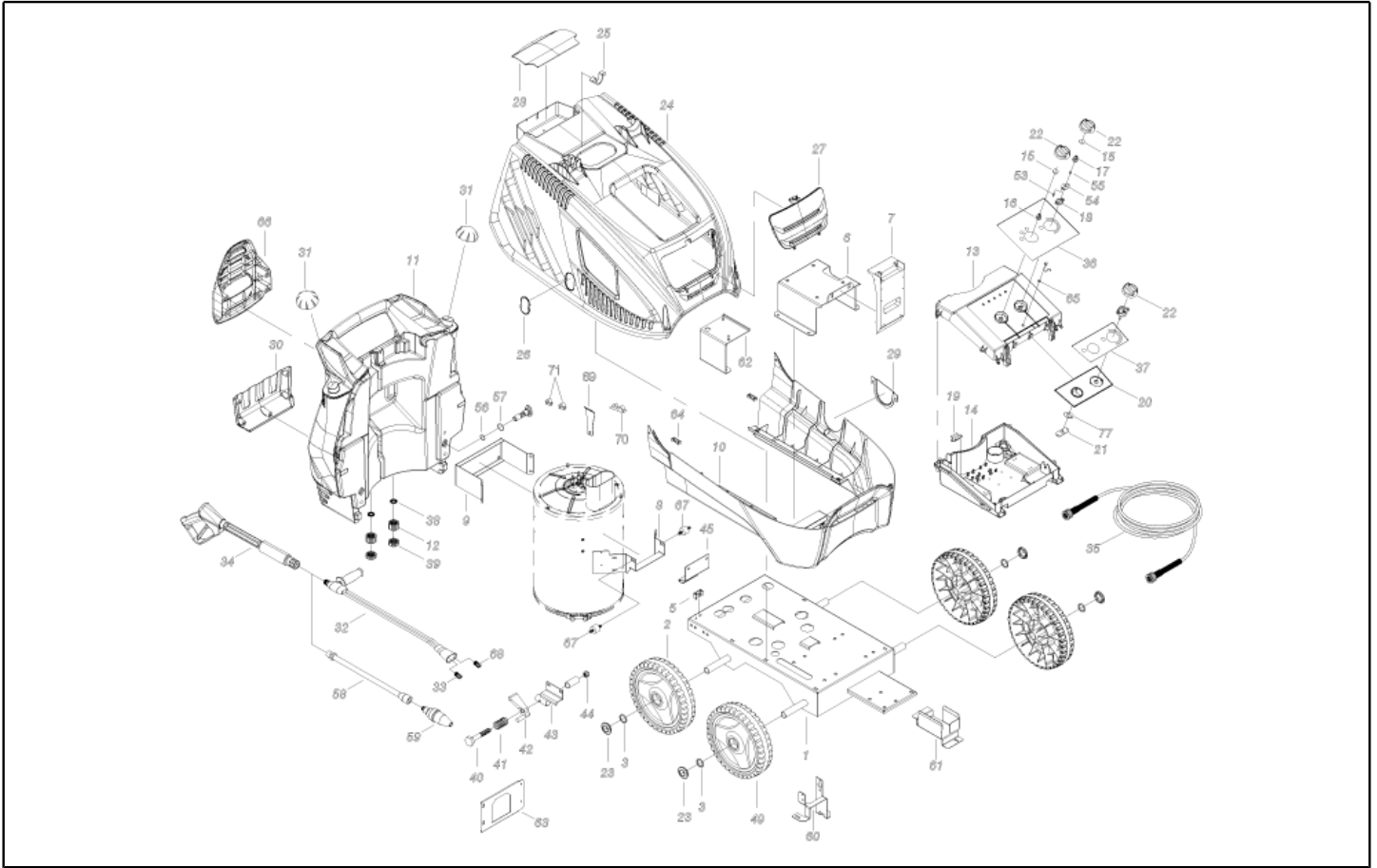


**IPC**

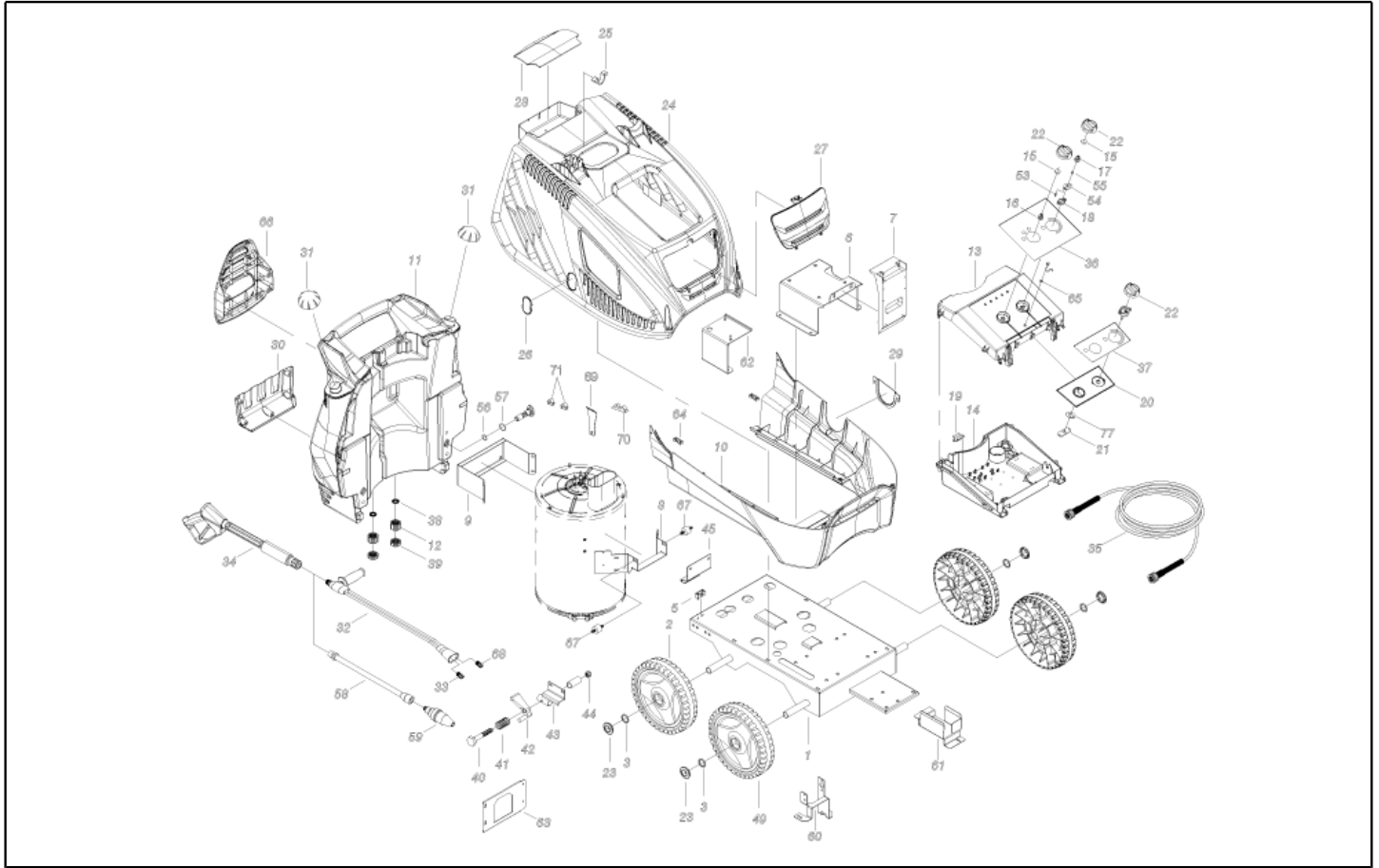
**Spare parts list**

Ref: IDAC40887

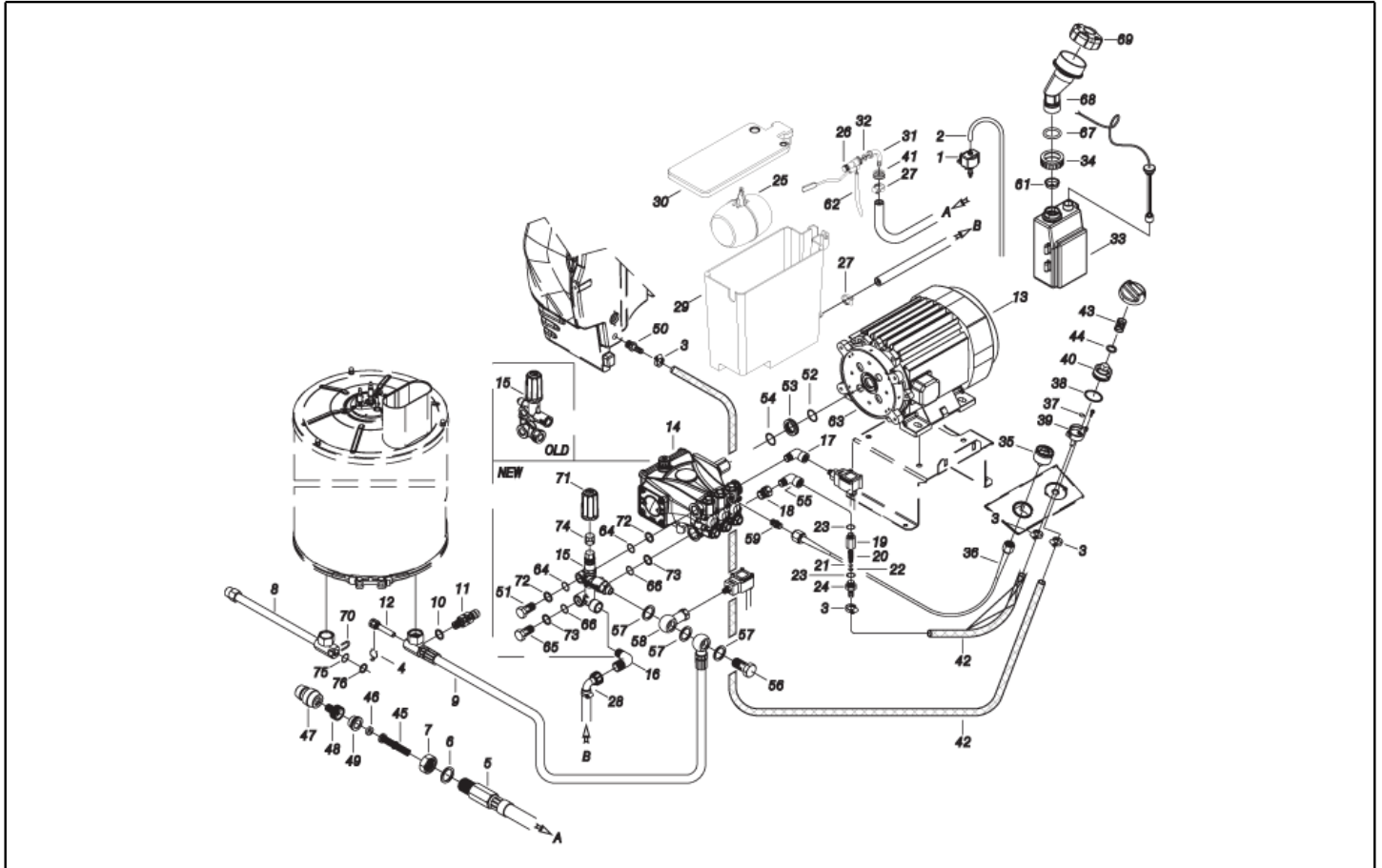
Model: H.P. CLEANER PW-H50/4P D2017P4T400/50I



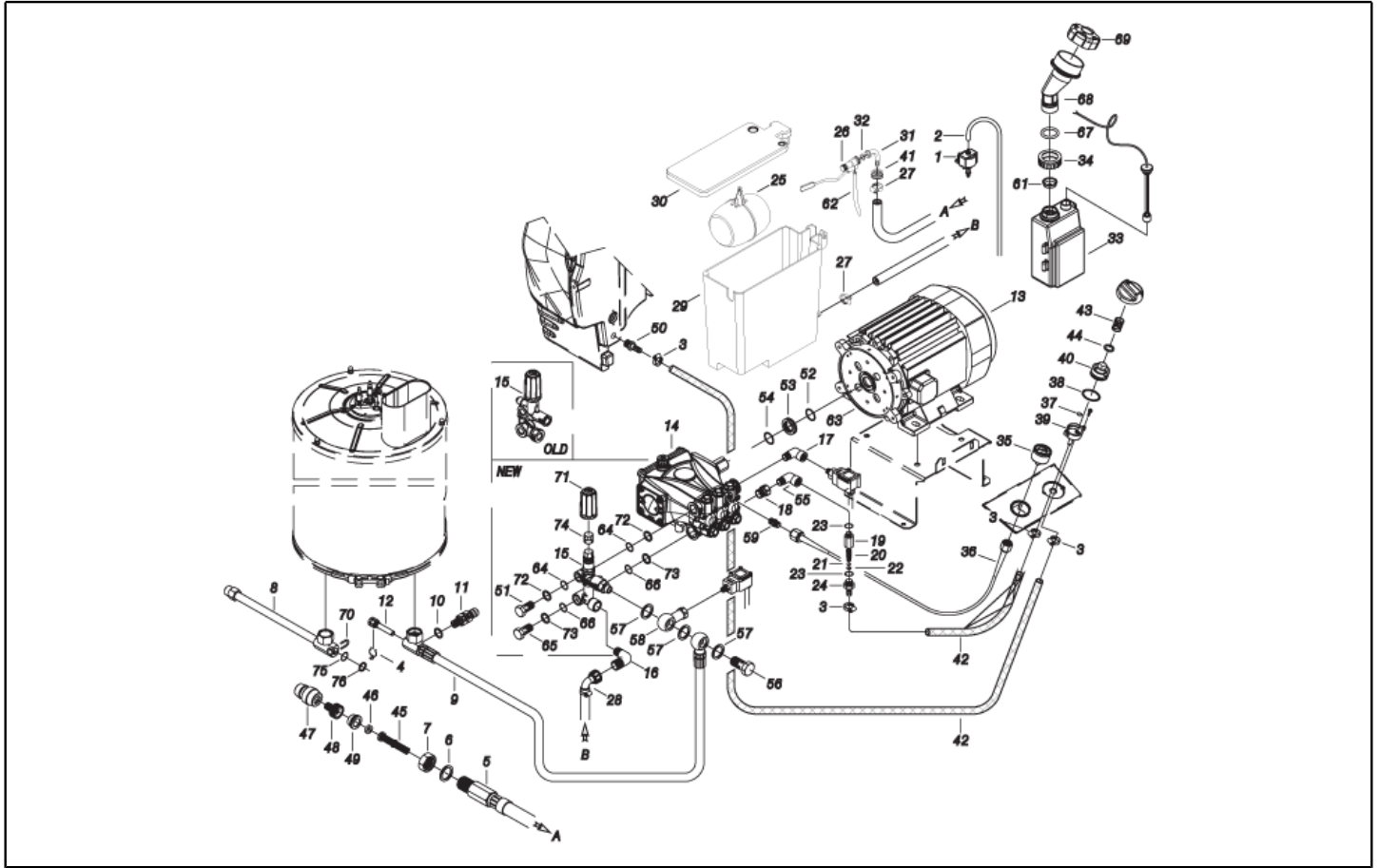
Ref. K	Part n.	Part n. 2	Description	Quantity	Validity		Price
					From	To	
0001	LAFN40761		CHASSIS PW-H50/7.5-4W BK.	1,00			--
0002	RTRT40045		WHEEL D.300-D.25 FLY-IPC BK/GRN	2,00			--
0003	VTRS09813		WASHER D.25	4,00			--
0005	MEVR20906		CABLE CLAMP KSM	1,00			--
0006	LAFN40683		MOTOR SUPPORT PW-H35 7.5Hp ZC.	1,00			--
0008	LAFN40685		SUPPORT PW-H35/7.5 PS ZC.	1,00			--
0009	LAFN40835		BRACKET PW-H35 PM.2 ZC	1,00			--
0010	MPVR40591		BLACK COVER PW-H35 INF.P/2P-PM PP	1,00	01/08/2015		--
0011	MPVR40791		TANK PW-H50 PL. PEHD BK.	1,00			--
0012	PVVR11806		DISCHARGE CAP FLL	2,00			--
0013	MPVR40540		BOX COVER PW-H35 ABS BK.	1,00			--
0014	MPVR40784		CONTROL BOX PW-H35 C/F.TH ABS BK.	1,00			--
0015	GUGO25527		O-RING D. 14 X 3 NBR 70SH	2,00			--
0016	MPVR23482		TAIL PIECE TEC. TUV	1,00			--
0017	S MPVR40843		TAIL PIECE THERM.PW-H PL.	1,00	01/11/2016		--
0018	S MPVR41903		THICKNESS TERM.IM.PA66	1,00			--
0019	LAFN46067		SUPPORT L.60 P176	2,00			--
0020	MPVR40542		ANT. PANEL PW-H35 ABS BK.	1,00	01/03/2017		--
0021	LAFN40561		JUNCTION BOARD PW-H35 ZC.	1,00		28/02/2017	--
0021	LAFN40922		JUNCTION BOARD PW-H35 D.14 ZC.	1,00	01/03/2017		--
0022	MPVR49057		BLACK KNOB P176-M.RACE PA6	3,00			--
0023	MPVR40734		HUB CAP D.50 G-48/IPC GR.368C	4,00	01/10/2015		--
0024	MPVR40702		GREEN COVER PW-H35/7.5 SUP.PP GR.368C	1,00			--
0024	VTVR40048		HANDWHEEL M 5MAX10 THP20	1,00			--
0024	FSVR62795		PLATE DI FISSAGGIO RPD0074	2,00			--
0025	MPVR40485		RUBBER PW-H35 15-20BK.	1,00			--
0025	MPVR40534		PIN PW-H35 PP BK.	2,00			--
0026	MPVR40539		DOOR PW-H35 PPL NT.	1,00			--
0027	MPVR40660		DOOR PW-H35 PPL BK.	1,00			--
0028	MPVR40661		DOOR PW-H35 PPL BK. PST	1,00			--
0029	MPVR40532		DOOR PW-H35 PPL BK.INF.	1,00			--
0030	MPVR40533		TOOL HOLDER PW-H35 PP BK.	1,00			--
0031	MPVR40187		TANK CAP P215 PEHD C/F.	2,00			--
0032	LCPR40087		EXTENSION P 70 -P20.IX700 M22 M	1,00			--
0033	UGLN49987		NOZZLE LECH 1/4 15045	1,00			--
0034	IPPR40020		GRIP G 6000+P.330 +M22 SW.M V	1,00		14/06/2018	--
0034	IPPR40025		GRIP G 6000+P.330 +M22 SW.M 2V	1,00	15/06/2018		--
0035	TBAP25324		H.P. HOSE R1 MT 10 5/16" C/2 IRV ZC	1,00			--
0036	ETET40820		LABEL PW-H50/7.5 ELETT.PLUS	1,00			--
0037	ETET40556		LABEL PW-H35 IDR.	1,00			--
0038	GUGO11489		GASKET D.22X1,5	2,00			--
0039	MPVR20187		RING NUT M 39 X 3	2,00			--
0040	VTVT14480		SCREW TE M 8X80 ZINC. UNI	1,00			--
0041	MLML11917		SPRING D. 14.5 X24 X2.2	1,00			--



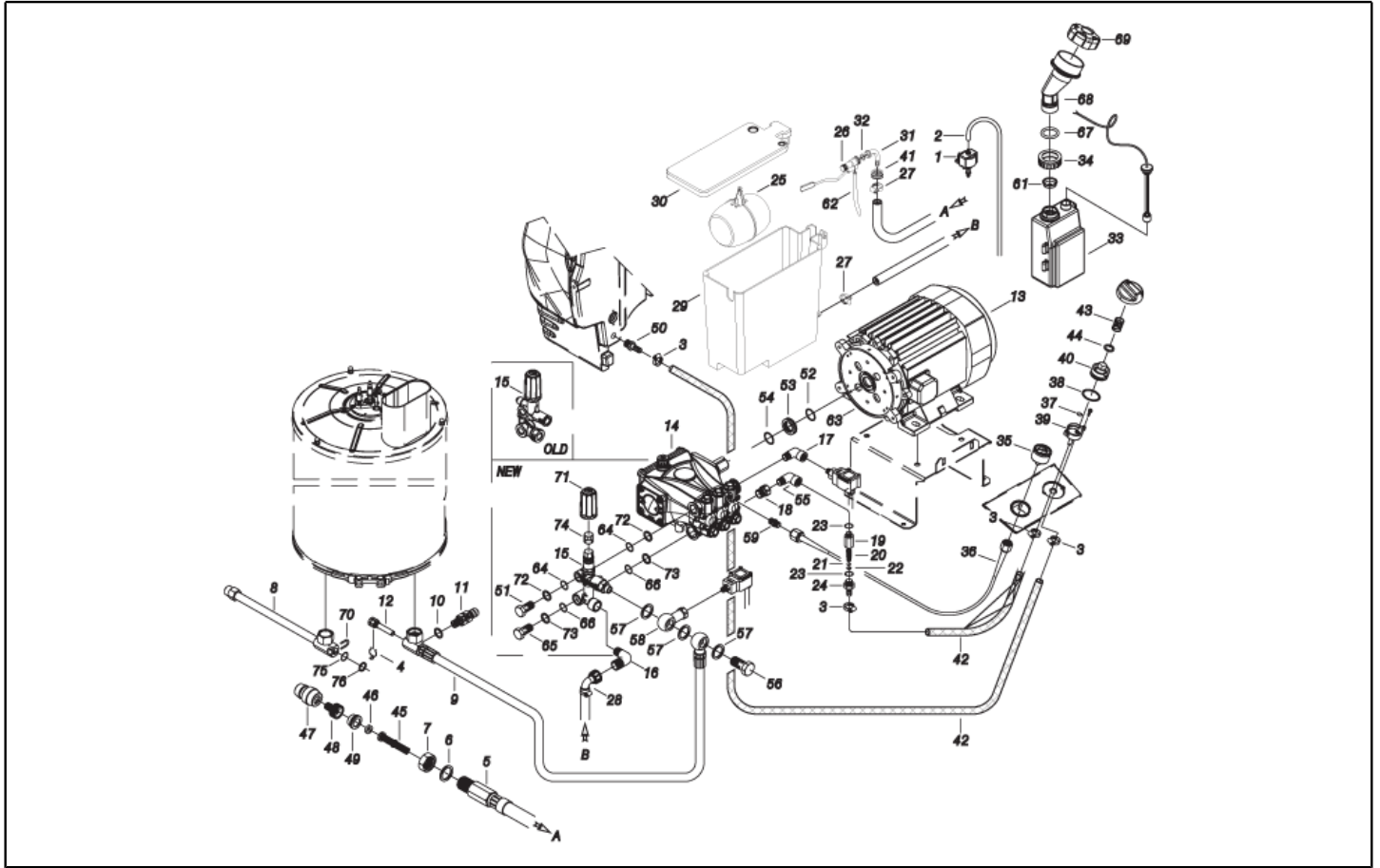
Ref. K	Part n.	Part n. 2	Description	Quantity	Validity		Price
					From	To	
0042	MPVR40751		TRIGGER H28/4W	1,00			--
0043	LAFN40762		BRACKET PW-H50/4W BK.	1,00			--
0044	VTDD00492		NUT M 8 ZINC	1,00			--
0045	LAFN40609		FOOT PW-H35/4W	1,00			--
0049	RTRT40043		WHEEL D.250-D.25X 65 RES BK/GRN	2,00			--
0053	S VTVR40014		PIN CH. 7 X 10 M4M/M4F NIK.	2,00			--
0054	S LAFN40763		PLATE PW-H28 POT. IX	1,00			--
0055	S LAFN40916		BUSHING D. 6- 9 L= 8 BZ.SINT.	1,00	01/11/2016		--
0056	GUGO01056		O-RING D. 18.72 X 2.62 NBR 70SH	1,00			--
0057	GUGO01197		O-RING D. 22.22 X 2.62 NBR 70SH	1,00			--
0060	LAFN40687		BRACKET PW-H35/7.5 ZC.	1,00			--
0061	LAFN40686		SUPPORT BRACKET PW-H35/7.5 ZC.	1,00			--
0062	LAFN40695		B.TANK BRACKET PW-H35/7.5 BK.	1,00			--
0063	LAFN40684		SUPPORT PW-H35/7.5 AN.ZC.	1,00			--
0064	MPVR28554		CABLE FASTNER ELT	1,00			--
0064	VTVT13234		SCREW TCB-TC 3.5X19 NIK	2,00			--
0066	MPVR40701		HOSE SUPPORT PW-H35 PP BK.	1,00			--
0077	LAFN40921		PLATE PW-H35 D.14 ZC.	1,00	01/03/2017		--



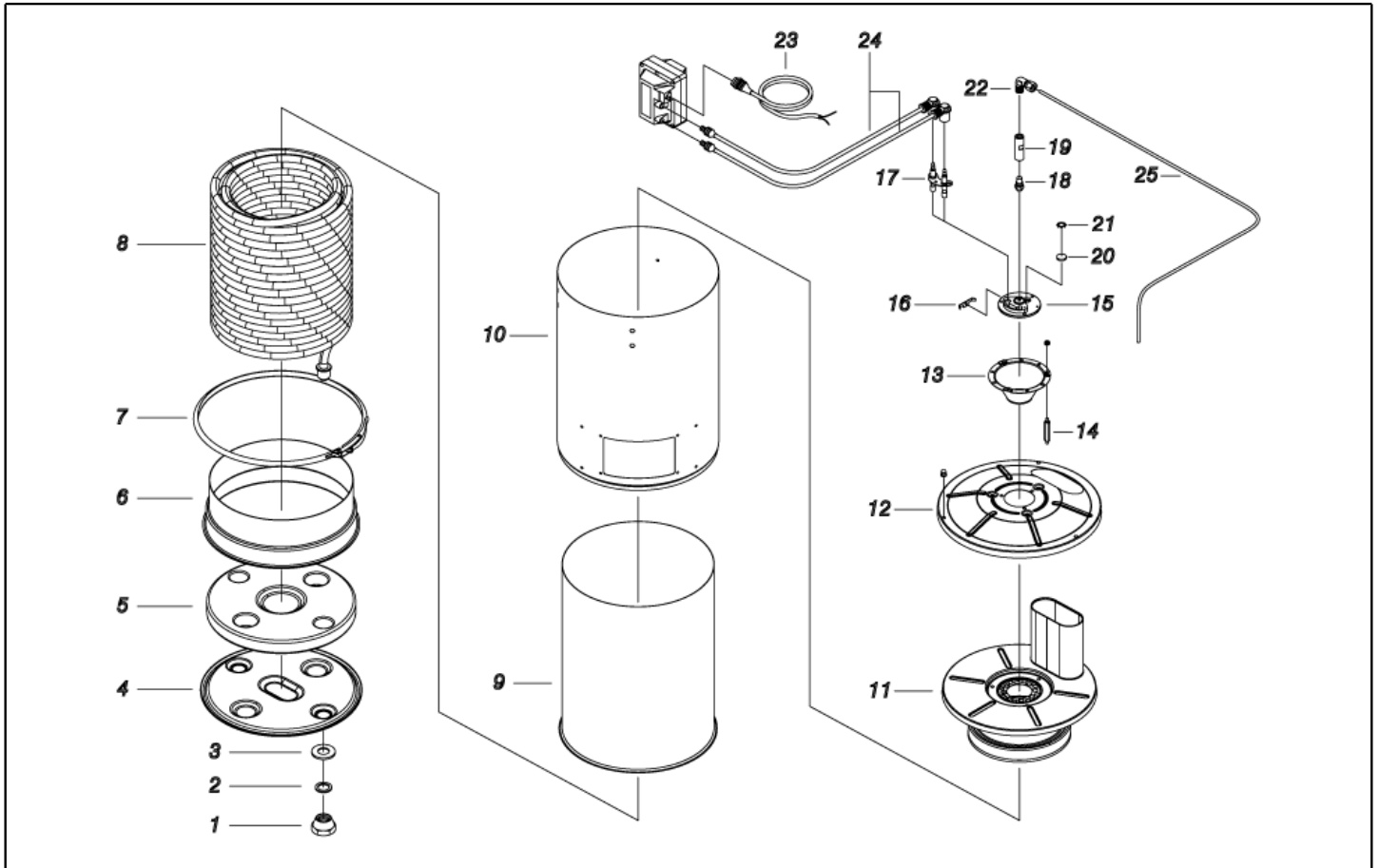
Ref. K	Part n.	Part n. 2	Description	Quantity	Validity		Price
					From	To	
0001	MEPD45940		DESCALING PUMP NME 1 24V 50/60HZ	1,00			--
0002	TBBP00058		L.P. HOSE D. 4- 7	0,90			--
0003	FSVR00427		CLAMP D. 12 CLIC 66-110	4,00			--
0003	FSVR00427		CLAMP D. 12 CLIC 66-110	2,00		28/02/2017	--
0004	MLML02623		SPRING IMT	1,00			--
0005	TBBP40082		L.P. HOSE L=1850 1/2M 0° -D.16X26	1,00			--
0006	RCDS49875		RING NUT 1/2"X 6 CH.27 OT.	1,00			--
0007	VTRS00549		WASHER D.21,5X27X1,5 (1/2) RM	1,00			--
0008	KTRI40386		KIT P 13- 14 PW-H50/PM NTC	1,00			--
0008 S	RCDS21118		CONNECTOR KSM	1,00			--
0008 S	RCDS21119		NUT KSM	1,00			--
0008 S	RCDS40230		CONNECTOR G 3/8F -1/4 -P/NTC C.27	1,00			--
0008 S	RCDS40164		CONNECTOR L=285 2X3/8M CN. ZC.	1,00			--
0008 S	RCIN03753		MALE COUPLING M22-3/8 M-FA	1,00			--
0009	TBAP40161		HOSE-FITTING 3/ 8 R2 L=755 3/8OC.-PM26	1,00			--
0010	VTRS40960		WASHER D.13,5X19 X4 AL.	1,00			--
0010	VTRS40960		WASHER D.13,5X19 X4 AL.	1,00	10/12/2015		--
0011	VVSC47427		VALVE MG 1000 G1/4M-M D.8 250B	1,00			--
0012	RCDS00593		SUMP IM 0-120 L=50	1,00			--
0013	MOTR40053		3PH MOTOR H35 HP7.5 23-400/50k RR/K	1,00			--
0014	PPAP40058		PUMP RR 15.20 DX N	1,00		14/07/2018	--
0014	PPAP40150		PUMP RR 15.20 DX N 2V.	1,00	15/07/2018		--
0015	MPVR40589		BLACK KNOB ST 260 IPC	1,00			--
0015	VVAZ40062		VALVE VRF-2 AR-R AF S/I. RG	1,00			--
0016	RCVR40153		ELBOW 3/4"-1/2" M OT.	1,00	11/05/2015		--
0017	RCVR72833		ELBOW 3/8"-1/4" M/F A.P.Cn OTT.	1,00			--
0018	RCVR02606		REDUCTION 1/2-1/4 M/F	1,00			--
0019	RCDS46072		VALVE BODY N/R 1/4F-1/4 P176 OT	1,00			--
0020	MLML21505		SPRING D. 8 X5 X0,3	1,00			--
0021	SFVR04274		BALL D. 7/32	1,00			--
0022	GUGO01055		O-RING D. 5.28 X 1.78 VIT 70SH	1,00			--
0023	GUGO01036		O-RING D. 10.82 X 1.78 NBR 70SH	1,00			--
0024	RCDS10546		VALVE SEAT 1/4M + PG. D.3-7,5 OTT	1,00			--
0025	RCGR01387		PLASITC BALL D.104	1,00			--
0026	RCGR10358		TAP UG. D. 7	1,00			--
0027	FSVR00431		CLAMP D. 16-25	1,00			--
0028	TBBP40081		L.P. HOSE L=1130 3/4F 0°-LIB.	1,00			--
0029	MPVR22117		WATER TANK FUT PPL BK.	1,00			--
0030	MPVR40699		TANK COVER FUT PPL C/F.R.BK.	1,00			--
0031	RCDS10357		HOSE FITTING FUT 90°	1,00			--
0033	MPVR40698		TANK KSM C/PE.	1,00			--
0034	MPVR40739		TANK CAP KSM D.36.2	1,00			--
0035	MNMN18650		PRESSURE GAUGE 0-300 D.40	1,00	01/03/2017		--
0036	TBAP40113		POLYAMIDE HOSE L=420 1/4F GR.-1/8F MN.	1,00	01/03/2017		--



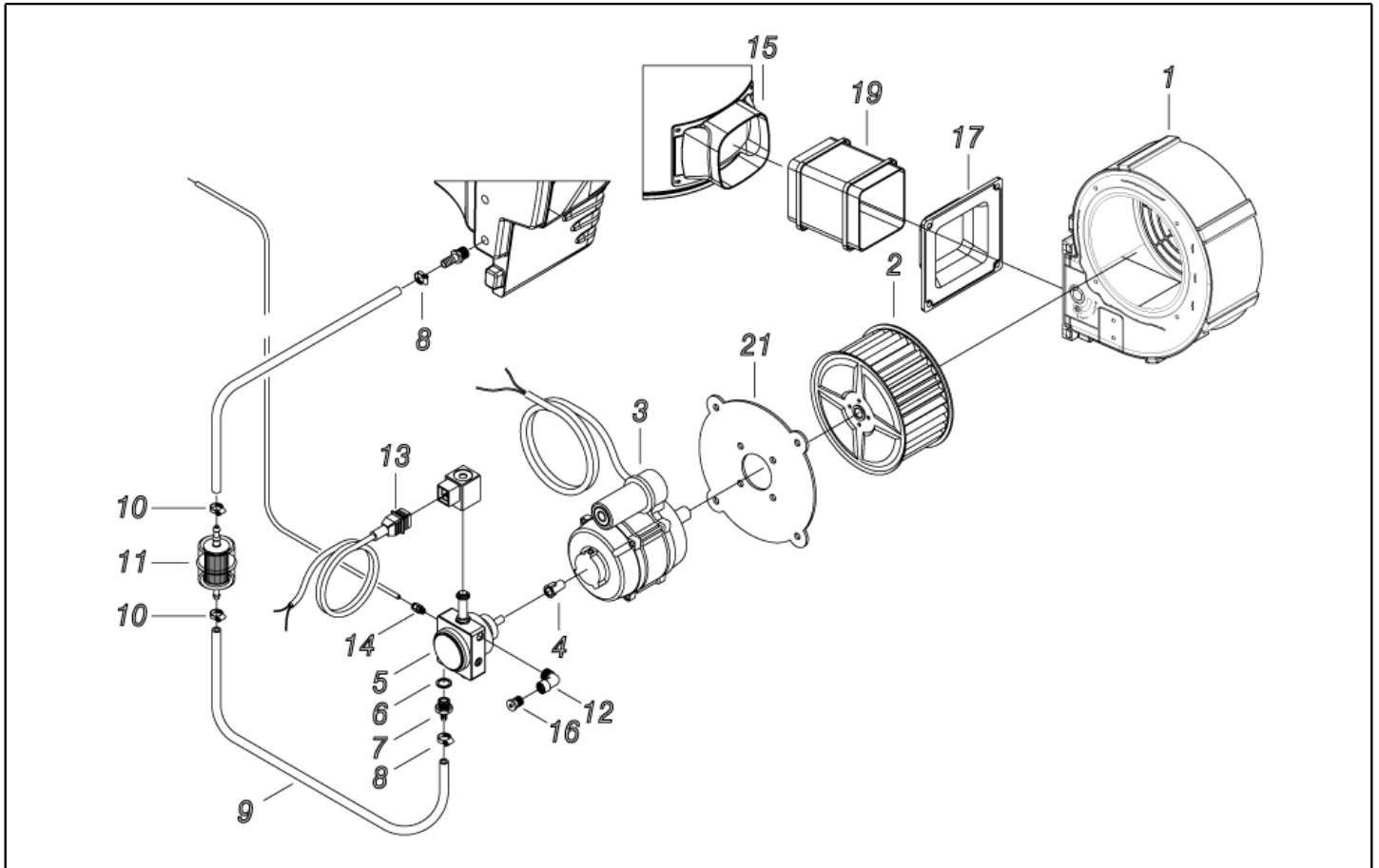
Ref. K	Part n.	Part n. 2	Description	Quantity	Validity		Price
					From	To	
0037	GUGO08071		O-RING D. 4.48 X 1.78 NBR 70SH	1,00	01/03/2017	--	--
0038	GUGO12183		O-RING D. 23.4 X 3.53 VIT 70SH	1,00	01/03/2017	--	--
0039	RCGR08069		TAP BODY DET. PRT	1,00	01/03/2017	--	--
0040	RCGR08070		ADJUSTER PRT	1,00	01/03/2017	--	--
0041	RCDS10356		RING NUT FUT	1,00	--	--	--
0042	TBBP00051		DETERGENT HOSE D. 6-12	1,20	01/03/2017	--	--
0042	TBBP00051		DETERGENT HOSE D. 6-12	0,77	01/03/2017	--	--
0043	MLML08068		SPRING D.1,5 L.23	1,00	01/03/2017	--	--
0044	VTRS00548		WASHER D.17,5X23X1,5 (3/8)RM	1,00	--	--	--
0045	FTAC30214		FILTER D.15X67	1,00	--	--	--
0046	GUGO37736		GASKET D. 10- 19 X 5 70SH	1,00	--	--	--
0047	RCVR29600		SOCKET PTC 3/4 F	1,00	--	--	--
0048	RCVR29602		CONNECTOR D. 1/2"-5/8" PTC	1,00	--	--	--
0049	RCVR37806		REDUCTION PTC 3/4-1/2 M/F	1,00	--	--	--
0050	RCVR40113		HOSE FITTING 1/8 M D. 5- 7 NIK	2,00	--	--	--
0051	RCDS40172		SCREW 3/8 VRF-2 OT 4F.	1,00	--	--	--
0052	GUGO21339		O-RING D. 29.82 X 2.62 VIT 70SH	1,00	--	--	--
0053	RCDS25578		BUSHING IP WW141 OT.	1,00	--	--	--
0054	GUGO21337		O-RING D. 25.07 X 2.62 VIT 70SH	1,00	--	--	--
0055	RCVR00573		ELBOW 1/4" M/F A10	1,00	--	--	--
0056	RCDS14384		SCREW G 3/8 VSP 180	1,00	--	--	--
0057	VTRS00548		WASHER D.17,5X23X1,5 (3/8)RM	3,00	--	--	--
0058	RCDS40692		CONNECTOR O. 3/8 - G1/4F L=28.5	1,00	--	--	--
0059	RCDS00607		NIPPLE 1/4 - 1/4 SV	1,00	--	--	--
0062	TBBP17436		L.P. HOSE D.12-14 RILSAN NT.	0,17	--	--	--
0063	MFVR21309		COUNTERFLANGE MEC 90-100-112	1,00	--	--	--
0064	GUGO03510		O-RING D. 12.37 X 2.62 NBR 70SH	2,00	--	--	--
0065	RCDS40171		SCREW G 1/2 VRF-2 OT. 2F.	1,00	--	--	--
0066	GUGO01048		O-RING D. 15.88 X 2.62 NBR 70SH	2,00	--	--	--
0067	GUGO89386		O-RING D. 30 X 5 NBR 70SH	1,00	--	--	--
0068	MPVR40700		MANIFOLD A.CLCL PW-H35 PP NT.	1,00	--	--	--
0069	MPVR40187		TANK CAP P215 PEHD C/F.	1,00	--	--	--
0070	LAFN40832		PLUG "U" SIST.NTC PW-H INX	1,00	--	--	--
0075	GUGO27030		O-RING D. 6 X 3 VIT 70SH	1,00	--	--	--
0076	GUVR40089		ANTI-EXTR.RING D. 6.6X11.9X1.5 PTFE	1,00	--	--	--



Ref. Part n.	Part n. 2	Description	Reference	Price
0008 KTRI40386		KIT P 13- 14 PW-H50/PM NTC	0008 0008 0008 0008 0008 0008 0008	--

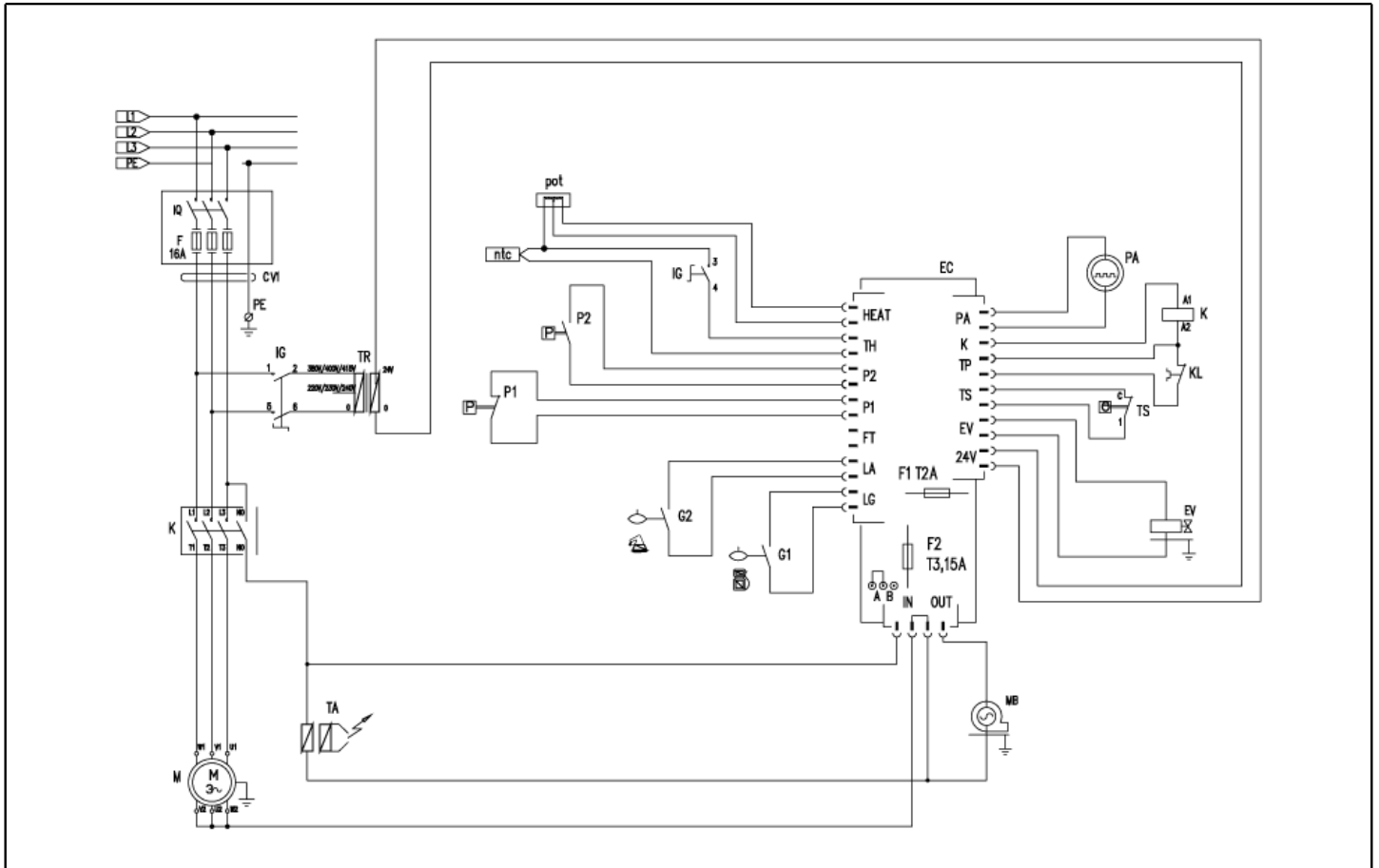


Ref. K	Part n.	Part n. 2	Description	Quantity	Validity		Price
					From	To	
0001	RCDS21120		RING NUT M 26 X 1,5	2,00			--
0002	GUGO21222		O-RING D. 15.54 X 2.62 VIT 80SH	2,00			--
0003	GUVR21021		ANTI-EXTR.RING D. 21 X17 TEF.	2,00			--
0004	LAFN44149		BOILER BOTTOM P176	1,00			--
0005	ITTE44175		BOTTOM P176 C.TE	1,00			--
0006	LAFN44151		BAND P176 INX	1,00			--
0007	LAFN40037		RING D.342 P176 ZN 2V.CPL.	1,00			--
0008	LAGR48101		DOUBLE COIL M26X1.5 P176 30MT. SP.2.6	1,00			--
0009	LASL40101		INT. CYLINDER PM INX	1,00			--
0010	LAFN40688		EXT. CYLINDER PM-H35/7.5 INX	1,00			--
0011	LAFN40269		BOILER COVER SI PM INX	1,00			--
0012	LAFN40270		BOILER COVER SE PM INX	1,00			--
0013	LAFN44244		BAFFLE P176 30M INX	1,00			--
0014	LAFN40271		PIN CH.10 X 67.7 M5M/M5M PM	3,00			--
0015	MFVR18226		ELECTR.HOLDER FUT 3°V	1,00			--
0016	LAFN07641		PLATE INX	1,00			--
0017	MECA12525		ELECTRODE FUT	1,00			--
0018	UGBR22576		BURNER NOZZLE 1.35 60 S	1,00			--
0019	RCDS07642		NOZZLE HOLDER FUT	1,00			--
0020	MPVR18228		OIL WARN-LIGHT D.17 X3	1,00			--
0021	VTAE22633		SEEGER 0.4 X18,30X10,5	1,00			--
0022	RCVR08954		ELBOW 1/8"-4 B5	1,00	01/03/2015		--
0023	MECB34463		CABLE BT L=800 SP. FD	1,00			--
0024	MECV35335		CABLE A.T. 9,8-23KOHMM L= 500P	2,00			--
0025	TBCO40057		DIESEL HOSE PW-H35/7.5 30MT D. 4 IX	1,00			--

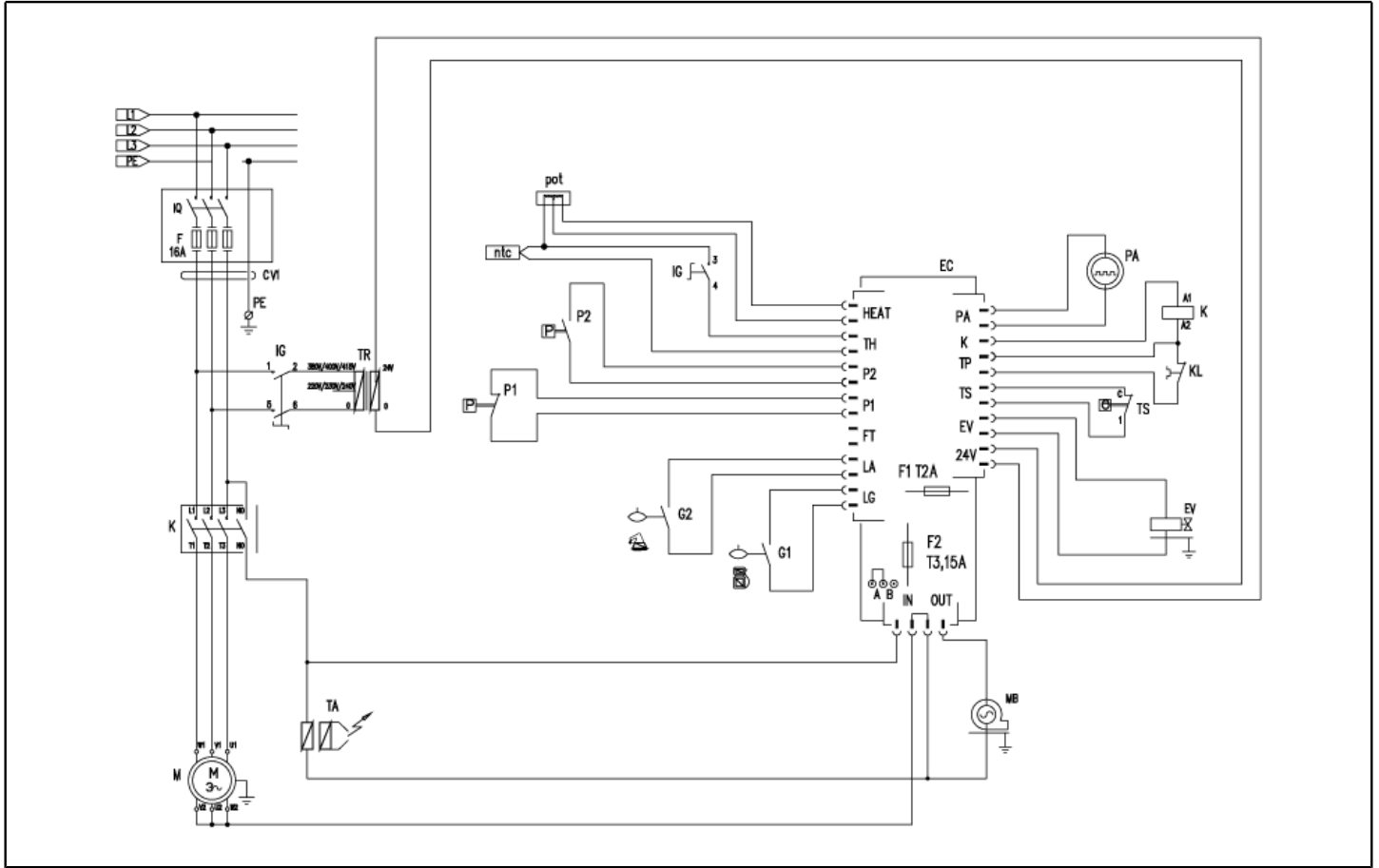


Ref. K	Part n.	Part n. 2	Description	Quantity	Validity		Price
					From	To	
0001	MPVR40665		SCROLL CB4 -2PZ.GR.	1,00	06/11/2015		--
0002	VEVR34275		IMPELLER D.160-80 D.12.7 36P B.SX	1,00			--
0003	MOMB34119		BURNER MOTOR 230-50 IP44 150W A.OR	1,00			--
0004	FGGT36513		JOINT HP 0.25 AACO	1,00			--
0005	PPGS40010		FUEL PUMP DNF BFA 01L3R1	1,00			--
0006	VTRS04931		WASHER COPPER D.13X19X1.5	1,00			--
0007	RCDS00626		HOSE FITTING 1/4 M D. 5- 7	1,00			--
0008	FSVR00427		CLAMP D. 12 CLIC 66-110	2,00	01/03/2017		--
0009	TBCO06945		L.P. HOSE D. 6-12 10BAR C.PRESS	0,70			--
0009	TBCO06945		L.P. HOSE D. 6-12 10BAR C.PRESS	0,43			--
0010	FSVR11197		CLAMP D.12.9-13.6	2,00			--
0011	FTCO10912		FILTER FB 13/T NYL.	1,00			--
0013	MECB46130		CABLE DLT L=1100	1,00			--
0014	RCVR14014		BI-CONE CONNEC. DTT 1/8" M B1 D. 2/ 4 NIK	1,00			--
0015	MPVR88426		CONVEYOR P176 PA6 BK.	1,00			--
0017	MPVR40014		CONVEYOR CB4-FBX PA6	1,00			--
0019	GUVR40009		SLEEVE SLV H=180	1,00			--
0019	FSVR01873		CLAMP LG 31920 9 X500	2,00			--
0021	LAFN10272		MOTOR PLATE CB 3	1,00			--

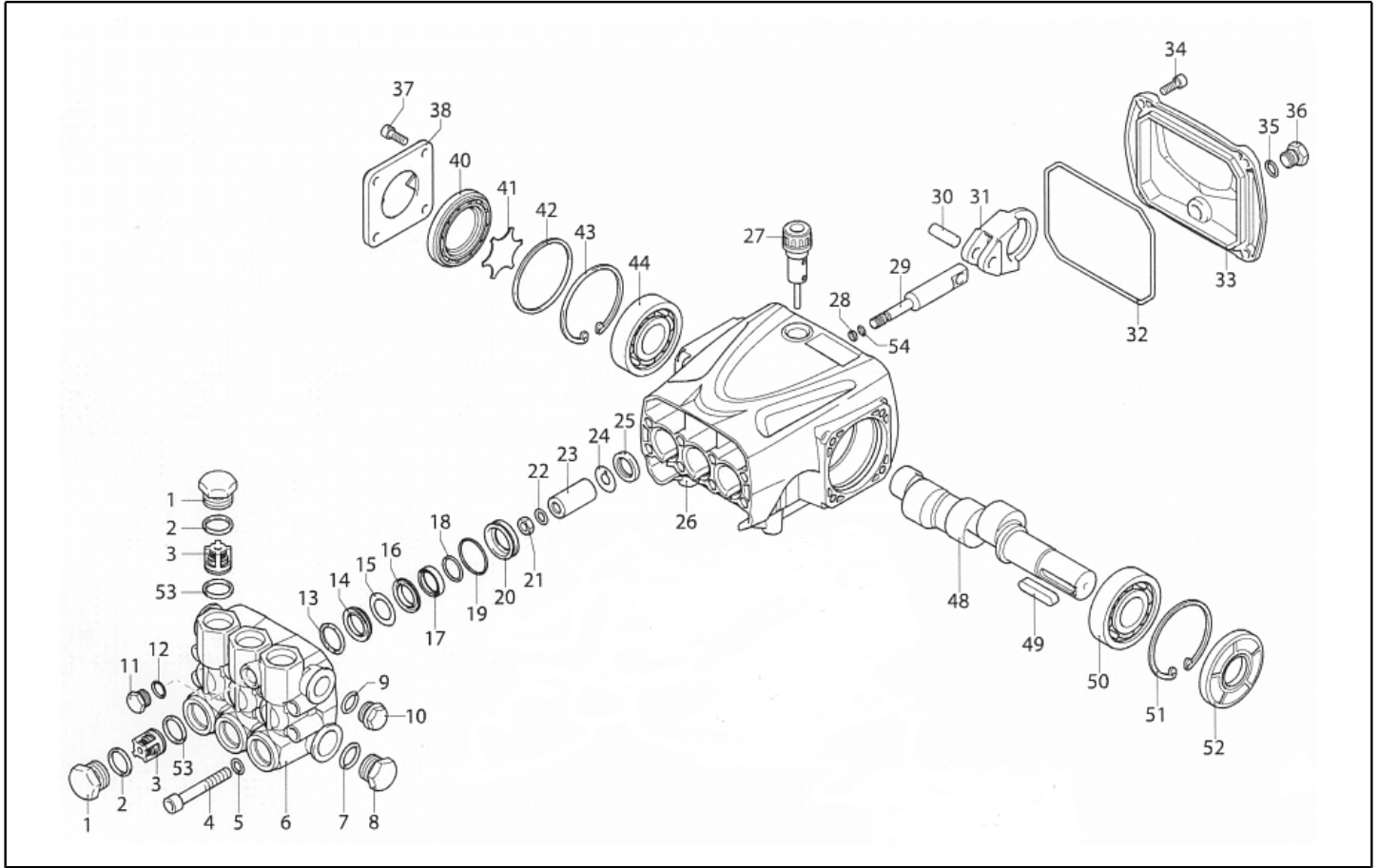




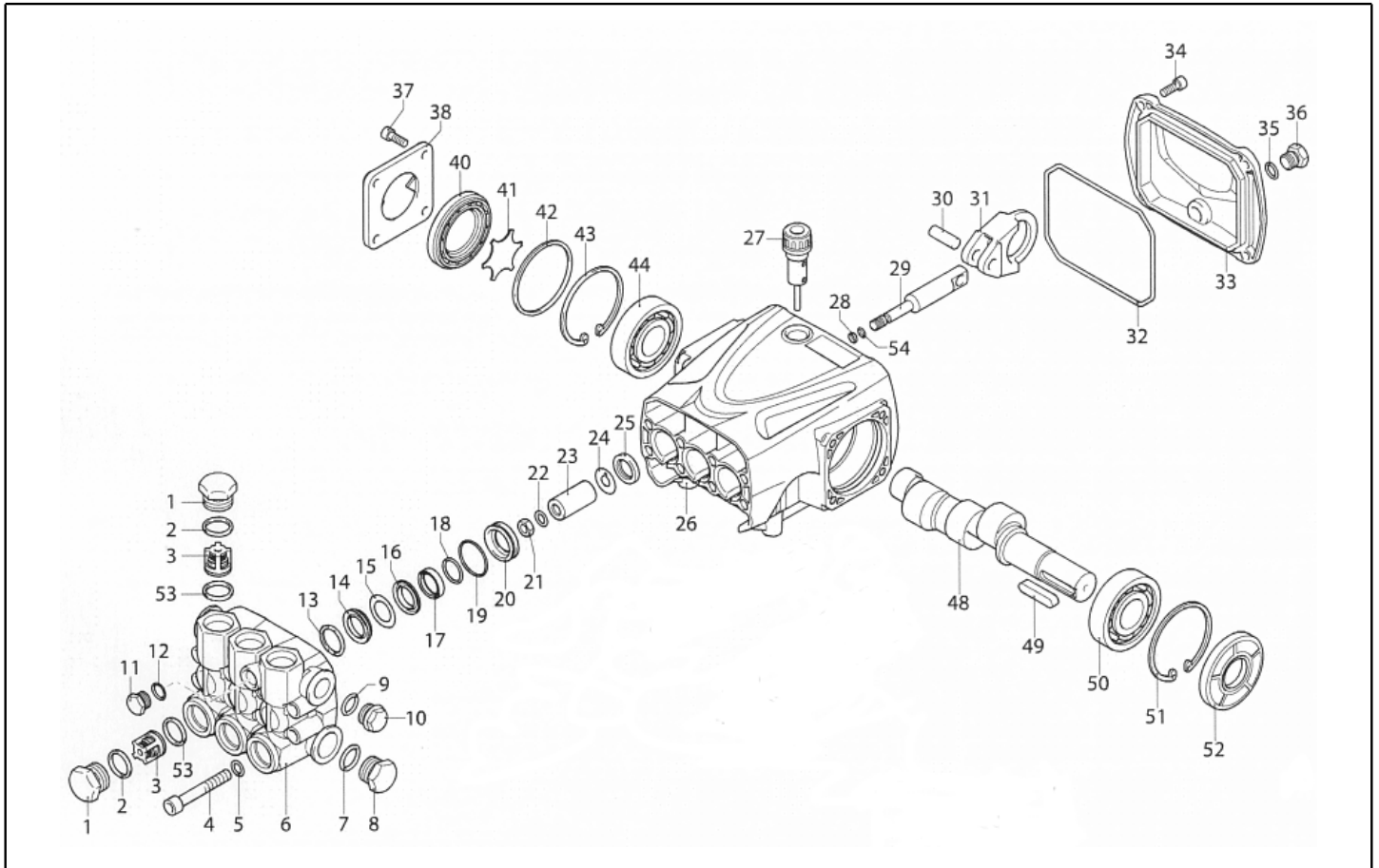
Ref. K	Part n.	Part n. 2	Description	Quantity	Validity		Price
					From	To	
K	METT40014		CONTACTOR SIE 3RT 2018-1AB01 24V	1,00			--
EC	MECE40044		PCB PW-H5 T-SI/MP V.PL.+CO-2P	1,00			--
EV	MEBE43704		COIL DNF 24-50	1,00			--
G1	MECI40006		SENSOR LEVEL S1.PML.XD.FPJ FST.	1,00			--
G2	MECI34444		SWITCH REED N.C.H185 L=1300	1,00			--
IG	MECI40017		COMMUTAT.SWITCH 0-1-2 UN.	1,00			--
TA	METR88630		TRANSFORMER 23/240V-5/60HZ 2X26KV TR.	1,00			--
TR	METR40018		TRANSFORMER 25VA 230-400/24 5/60HZ PM	1,00			--
TS	METK34839		THERMOSTAT 60°C TU V ST T.F. C.1.5	1,00			--
CV1	MECB40146		CABLE H07 RNF 4X2.5 L=6.800	1,00			--
EC2	MECE40041		PCB LED PW 4/5 GR. FLT.	1,00			--
NTC	MEVR40150		PROBE NTC/150 IP65 C.1000	1,00			--
POT S	MEVR40149		POTENTIOMETER VSH P11S1V0FLSY 5/10K LN.	1,00			--
P1,2	MEPF76254		PRESSURE SWITCH PR 5 1/4M 25BAR	2,00			--



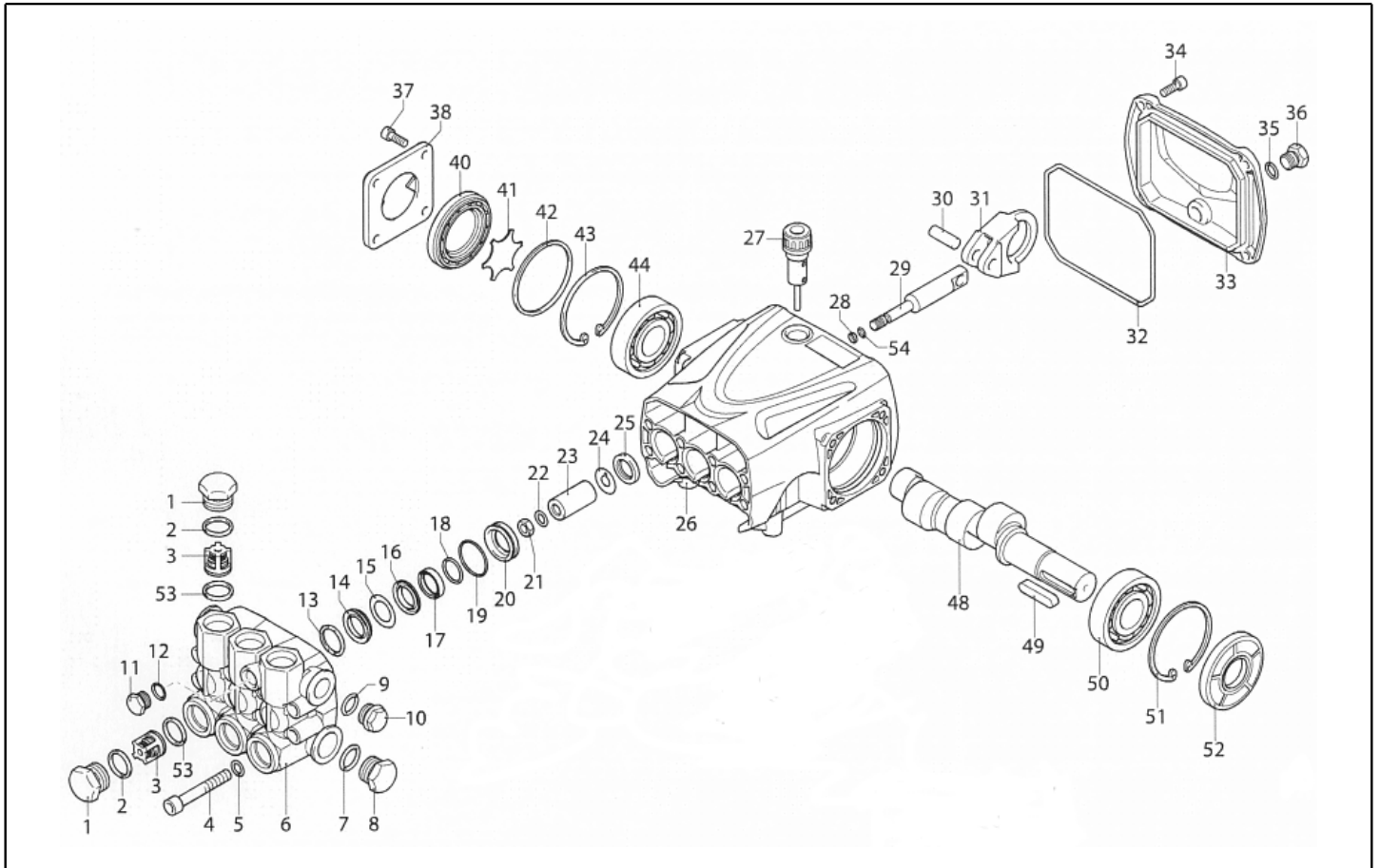
Ref. Part n.	Part n. 2	Description	Reference	Price
POT	KTRI40415	KIT P 20- 4 POT. VSH P11 PW-H	0017 0018 0053 0054 0055 POT	--



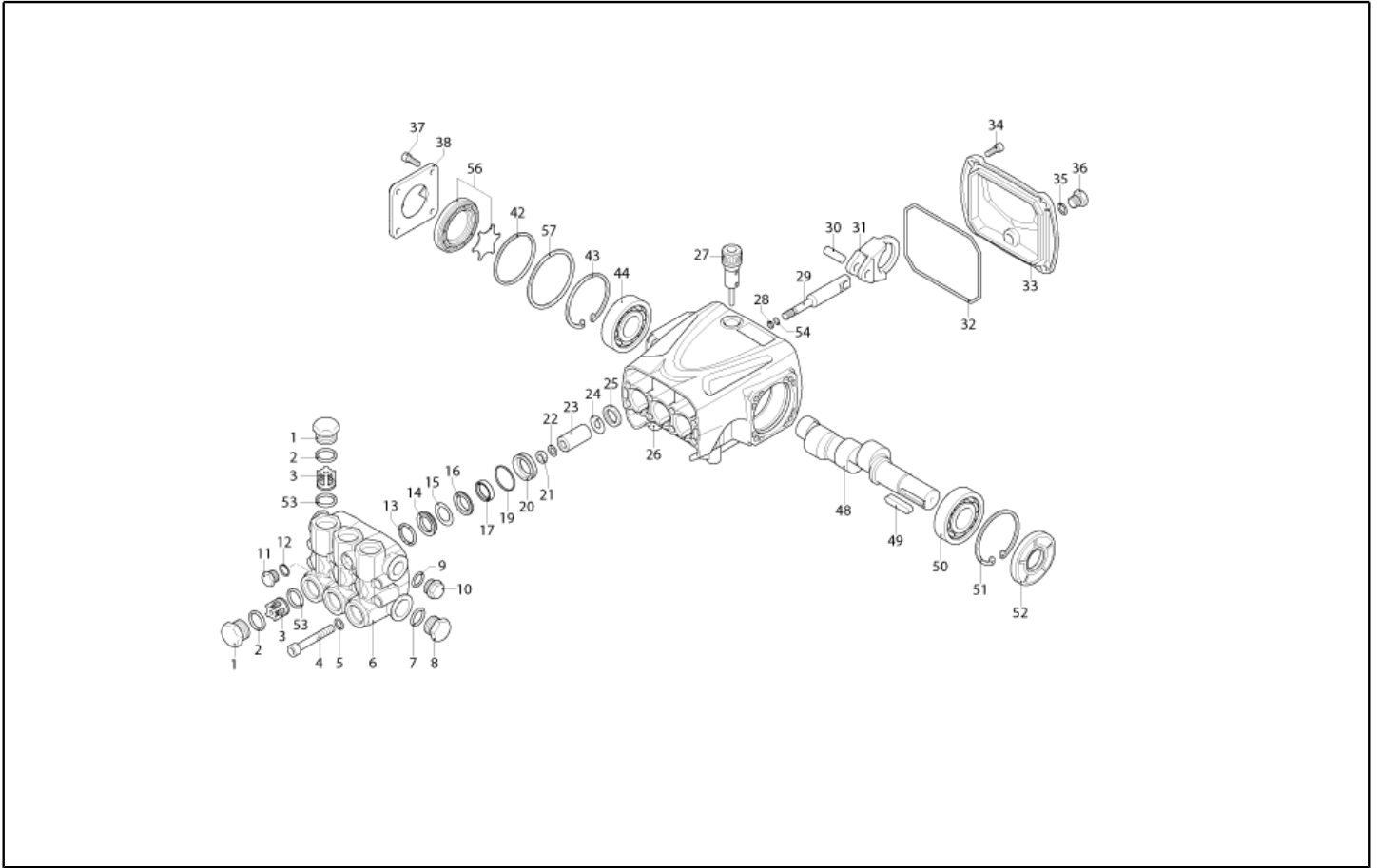
Ref. K	Part n.	Part n. 2	Description	Quantity	Validity		Price
					From	To	
0001	PVVR40161		CAP AR RR	6,00			--
0002	GUGO03502		O-RING D. 17.86 X 2.62 NBR 70SH	6,00			--
0003	S VVAM40003		VALVE UNIT RR	6,00			--
0004	VTVT63018		SCREW TCEI M 8X55 ZC U.5931	8,00			--
0005	VTRS14242		WASHER D. 8.4X13X0.8 UNI7064 SCH	8,00			--
0006	MFVR40028		HEAD AR RR OT.	1,00			--
0007	GUGO19245		O-RING D. 17.5 X 2 NBR 70SH	1,00			--
0008	PVVR40121		CAP 1/2 M RC	1,00			--
0009	GUGO09720		O-RING D. 14 X 1.78 NBR 70SH	1,00			--
0010	PVVR40099		CAP 3/8 M HRM	1,00			--
0011	PVVR40129		CAP 1/4 M RC	1,00			--
0012	GUGO01036		O-RING D. 10.82 X 1.78 NBR 70SH	1,00			--
0013	S PVVR40122		HEAD RING D. 18 RC	3,00			--
0014	S GUVR40035		PACKING D. 18 RC H.P.	3,00			--
0015	S GUVR40043		ANTI-EXTR.RING D.18X28	3,00			--
0016	S PVVR40162		INTERMED. RING D. 18 RR	3,00			--
0017	S GUVR40036		PACKING D. 18 RC L.P.	3,00			--
0018	S GUVR40037		ANTI-EXTR.RING D.21	3,00			--
0019	S GUGO19290		O-RING D. 23.52 X 1.78 NBR 70SH	3,00			--
0020	S PVVR40163		PACKING RETAIN. D. 18 RR	3,00			--
0021	VTDD00483		NUT M 8 ZIN UNI 5588	3,00			--
0022	VTRS19394		WASHER D. 8X13X0.5	3,00			--
0023	S PIVR40007		PISTON D.18 RR	3,00			--
0024	PVVR19233		DISC XTS	3,00			--
0025	S GUGO09690		OIL SEAL 15X 24X 5 NBR70	3,00			--
0026	MFVR40030		PUMP CRANKCASE AR RR	1,00			--
0027	PVVR19231		OIL CAP XTS	1,00			--
0028	GUGO08071		O-RING D. 4.48 X 1.78 NBR 70SH	3,00			--
0029	PVVR40176		PISTON GUIDE RR	3,00			--
0030	PVVR40178		GUDGEON D. 9 RR	3,00			--
0031	BLVR40002		CONNECTING ROD RR	3,00			--
0032	GUGO40017		O-RING D. 107.62 X 2.62 NBR 70SH	1,00			--
0033	MFVR40029		CRANKCASE COVER AR RR	1,00			--
0034	VTVT09913		SCREW TCEI 6X16 UNI5931	4,00			--
0035	GUGO01036		O-RING D. 10.82 X 1.78 NBR 70SH	1,00			--
0036	PVVR40129		CAP 1/4 M RC	1,00			--
0037	VTVT09913		SCREW TCEI 6X16 UNI5931	4,00			--
0038	MFVR40021		CRANKCASE COVER AR RC LT.	1,00			--
0040	PVVR40179		OIL INDICATOR RR	1,00			--
0041	PVVR40125		DISC RC	1,00			--
0042	GUGO09030		O-RING 56X82 X2.62 - NBR	1,00			--
0043	VTAE10405		CIRCLIP D. 62 UNI 7437	1,00			--
0044	CUVR09654		BALL BEARING 6305	1,00			--
0048	ALMO40012		SHAFT AR RR 15LT VRS. N	1,00			--



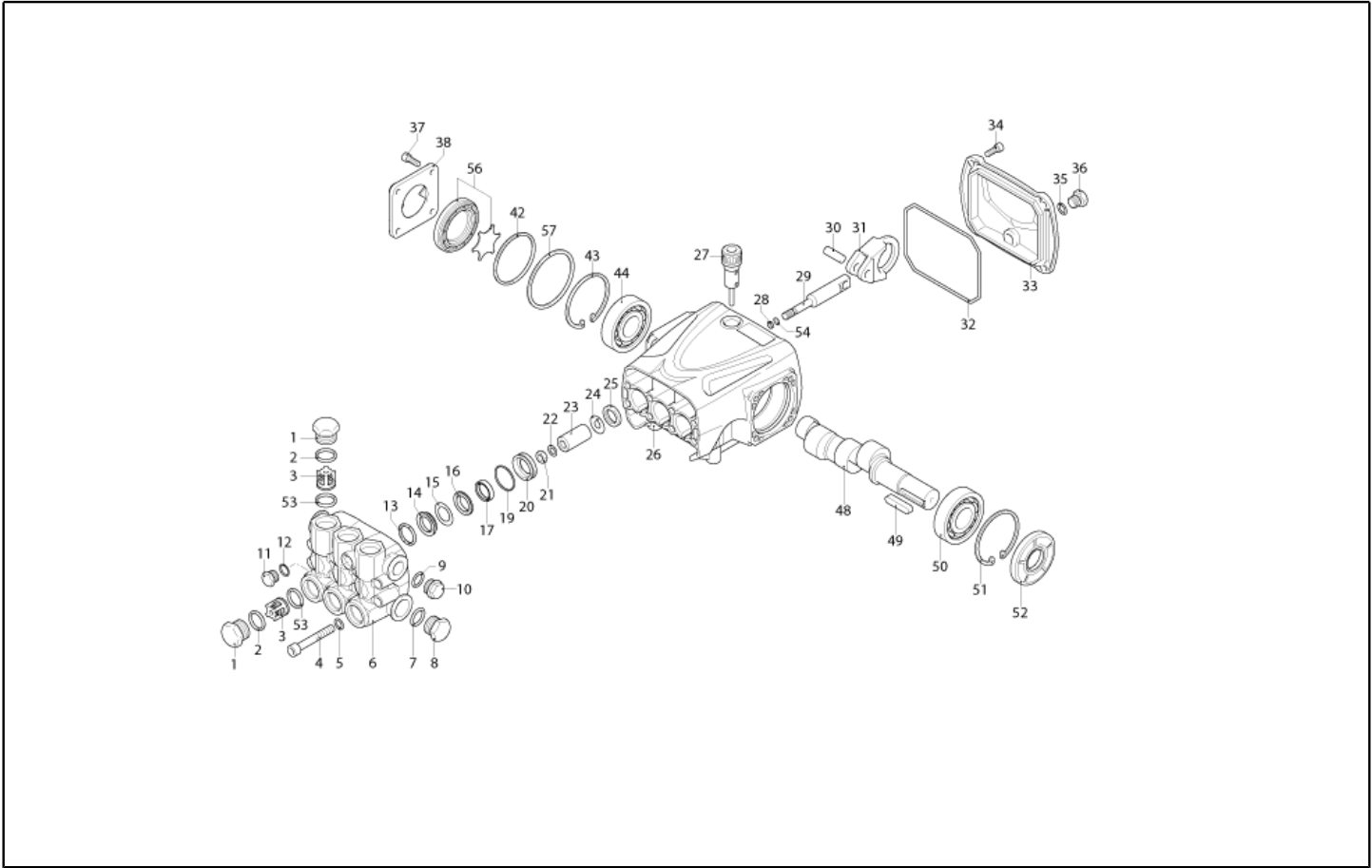
Ref. K	Part n.	Part n. 2	Description	Quantity	Validity		Price
					From	To	
0049	VTVR41531		KEY 8X 7X35 UNI 6604A	1,00			--
0050	CUVR09654		BALL BEARING 6305	1,00			--
0051	VTAE10405		CIRCLIP D. 62 UNI 7437	1,00			--
0052	S GUGO40018		OIL SEAL 25X 62X 8 NBR70	1,00			--
0053	S GUGO02259		O-RING D. 15.54 X 2.62 NBR 70SH	6,00			--
0054	GUVR40044		ANTI-EXTR.RING D. 5 X 8 X1	3,00			--



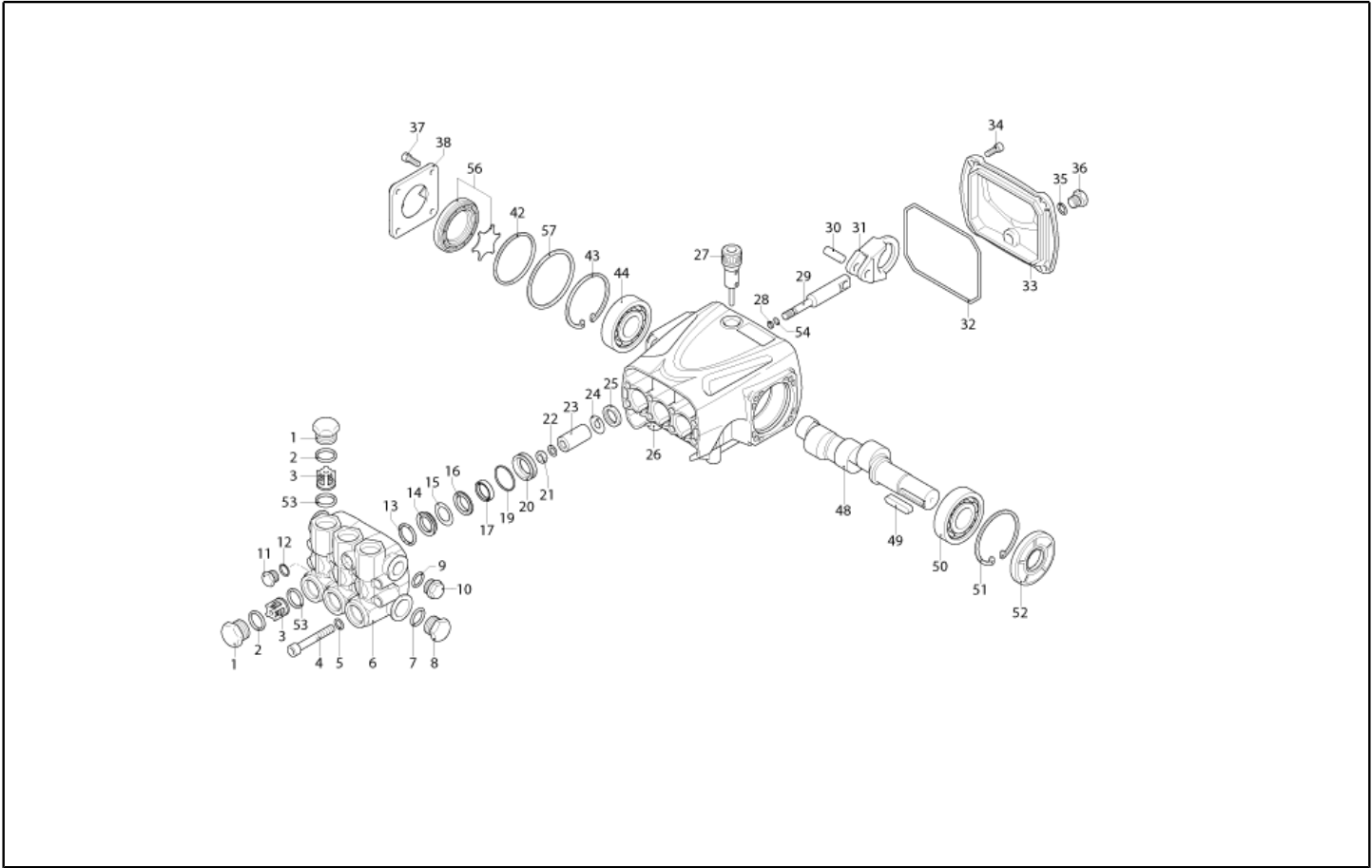
Ref. Part n.	Part n. 2	Description	Reference	Price
KTRI40142		KIT P 15-42909 RR	0003 0053	--
KTRI40143		KIT P 15-42904 D.18 RR	0023	--
KTRI40144		KIT P 15-42922 RR	0025 0052	--
KTRI40145		KIT P 15-42924 D.18 RR	0014 0015 0017 0018 0019	--
KTRI40095		KIT P 15-42903 D.18 RC	0013	--
KTRI40146		KIT P 15-42923 D.18 RR	0016 0020	--



Ref. K	Part n.	Part n. 2	Description	Quantity	Validity		Price
					From	To	
0001	PVVR40161		CAP AR RR	6,00			--
0002	GUGO03502		O-RING D. 17.86 X 2.62 NBR 70SH	6,00			--
0003	S VVAM40003		VALVE UNIT RR	6,00			--
0004	VTVT63018		SCREW TCEI M 8X55 ZC U.5931	8,00			--
0005	VTRS14242		WASHER D. 8.4X13X0.8 UNI7064 SCH	8,00			--
0006	MFVR40028		HEAD AR RR OT.	1,00			--
0007	GUGO19245		O-RING D. 17.5 X 2 NBR 70SH	1,00			--
0008	PVVR40121		CAP 1/2 M RC	1,00			--
0009	GUGO09720		O-RING D. 14 X 1.78 NBR 70SH	1,00			--
0010	PVVR40099		CAP 3/8 M HRM	1,00			--
0011	PVVR40129		CAP 1/4 M RC	1,00			--
0012	GUGO01036		O-RING D. 10.82 X 1.78 NBR 70SH	1,00			--
0013	S PVVR40122		HEAD RING D. 18 RC	3,00			--
0014	S GUVR40035		PACKING D. 18 RC H.P.	3,00			--
0015	S GUVR40043		ANTI-EXTR.RING D.18X28	3,00			--
0016	S PVVR40162		INTERMED. RING D. 18 RR	3,00			--
0017	S GUVR40122		PACKING D. 18 RC L.P. 2V.	3,00			--
0019	S GUGO19290		O-RING D. 23.52 X 1.78 NBR 70SH	3,00			--
0020	S PVVR40565		PACKING RETAIN. D. 18 RR 2V.	3,00			--
0021	VTDD00483		NUT M 8 ZIN UNI 5588	3,00			--
0022	VTRS19394		WASHER D. 8X13X0.5	3,00			--
0023	S PIVR40007		PISTON D.18 RR	3,00			--
0024	PVVR19233		DISC XTS	3,00			--
0025	S GUGO09690		OIL SEAL 15X 24X 5 NBR70	3,00			--
0026	MFVR40030		PUMP CRANKCASE AR RR	1,00			--
0027	PVVR19231		OIL CAP XTS	1,00			--
0028	GUGO08071		O-RING D. 4.48 X 1.78 NBR 70SH	3,00			--
0029	PVVR40176		PISTON GUIDE RR	3,00			--
0030	PVVR40178		GUDGEON D. 9 RR	3,00			--
0031	BLVR40002		CONNECTING ROD RR	3,00			--
0032	GUGO40017		O-RING D. 107.62 X 2.62 NBR 70SH	1,00			--
0033	MFVR40029		CRANKCASE COVER AR RR	1,00			--
0034	VTVT09913		SCREW TCEI 6X16 UNI5931	4,00			--
0035	GUGO01036		O-RING D. 10.82 X 1.78 NBR 70SH	1,00			--
0036	PVVR40129		CAP 1/4 M RC	1,00			--
0037	VTVT09913		SCREW TCEI 6X16 UNI5931	4,00			--
0038	MFVR40021		CRANKCASE COVER AR RC LT.	1,00			--
0042	GUGO09030		O-RING 56X82 X2.62 - NBR	1,00			--
0043	VTAE10405		CIRCLIP D. 62 UNI 7437	1,00			--
0044	CUVR09654		BALL BEARING 6305	1,00			--
0048	ALMO40012		SHAFT AR RR 15LT VRS. N	1,00			--
0049	VTVR41531		KEY 8X 7X35 UNI 6604A	1,00			--
0050	CUVR09654		BALL BEARING 6305	1,00			--
0051	VTAE10405		CIRCLIP D. 62 UNI 7437	1,00			--

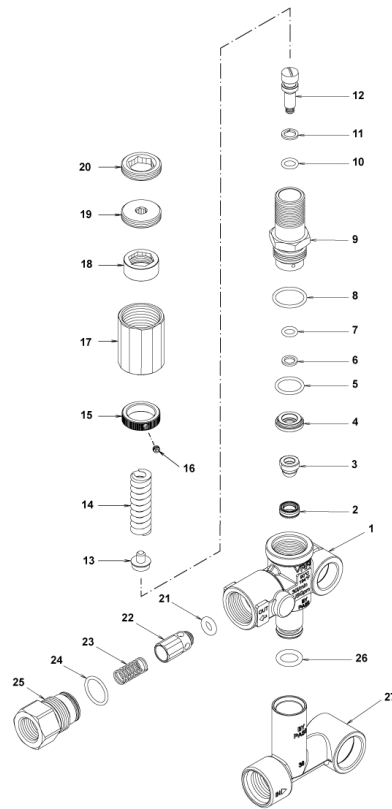


Ref. K	Part n.	Part n. 2	Description	Quantity	Validity		Price
					From	To	
0052	S	GUGO40018	OIL SEAL 25X 62X 8 NBR70	1,00			--
0053	S	GUGO02259	O-RING D. 15.54 X 2.62 NBR 70SH	6,00			--
0054		GUVR40044	ANTI-EXTR.RING D. 5 X 8 X1	3,00			--
0056		PVVR40473	OIL INDICATOR RR CPL.	1,00			--
0057		PVVR40566	RING D. 61.8 X57.8 X0.5	1,00			--

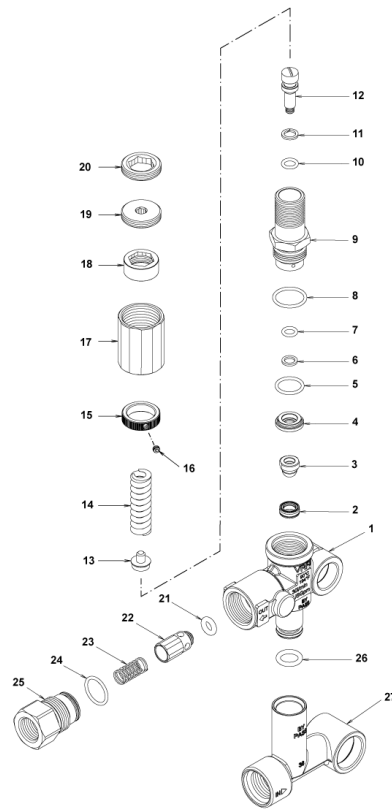


Ref. Part n.	Part n. 2	Description	Reference	Price
KTRI40095		KIT P 15-42903 D.18 RC	0013	--
KTRI40142		KIT P 15-42909 RR	0003 0053	--
KTRI40143		KIT P 15-42904 D.18 RR	0023	--
KTRI40144		KIT P 15-42922 RR	0025 0052	--
KTRI40515		KIT P 15-46146 D.18 RR 2V.	0014 0015 0017 0019	--
KTRI40516		KIT P 15-46147 D.18 RR 2V.	0016 0020	--
KTRI40517		KIT P 15-2008 D.18RR 2V.	0017 0019 0020	--

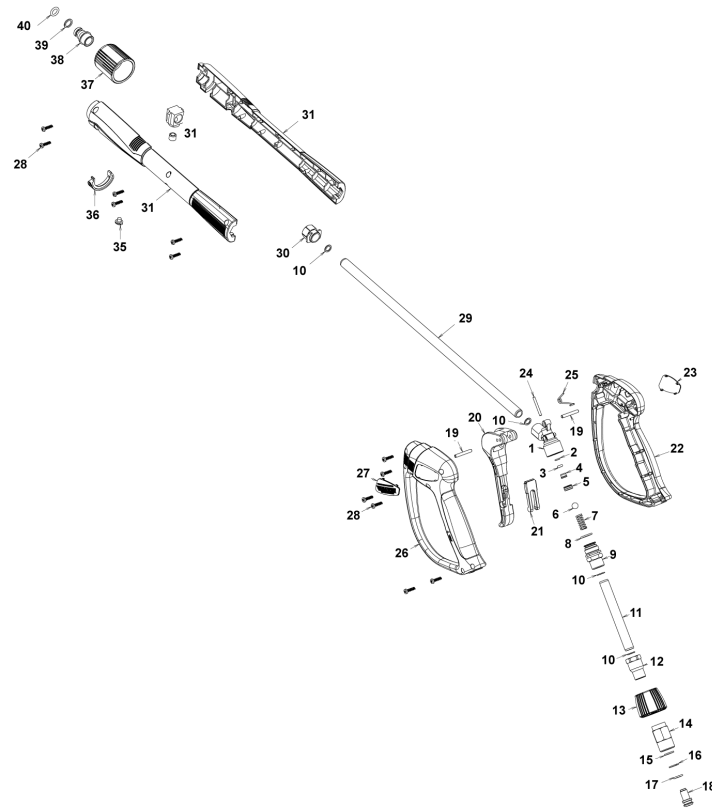




Ref. K	Part n.	Part n. 2	Description	Quantity	Validity		Price
					From	To	
0001	PVVR40362		VALVE BODY VRF2	1,00			--
0002	S PVVR40363		VALVE SEAT MV124 +OR	1,00			--
0003	S PVVR40364		COUPLING MV124	1,00			--
0004	S PVVR40365		SPACER MV124	1,00			--
0005	S GUGO12322		O-RING D. 14 X 1.78 NBR 90SH	1,00			--
0006	S GUVR40072		ANTI-EXTR.RING D. 6.5X 9.4	1,00			--
0007	S GUGO83861		O-RING D. 6.07 X 1.78 NBR 90SH	1,00			--
0008	S GUGO24913		O-RING D. 17.17 X 1.78 NBR 90SH	1,00			--
0009	S PVVR40388		CONNECTOR VRF2 RG.165 56A	1,00			--
0010	S GUGO03500		O-RING D. 6.75 X 1.78 NBR 70SH	1,00			--
0011	S GUVR40073		ANTI-EXTR.RING D. 7.1X10 X1.2 TBT	1,00			--
0012	S PVVR40367		SMALL PISTON D.10 VRF2	1,00			--
0013	S PVVR40368		SPRING PLATE MV124 25B	1,00			--
0014	S MLML47987		SPRING D. 3.25X41.1 MV 625	1,00			--
0015	S PVVR40369		RING NUT MV167.09	1,00			--
0016	S VTVT89696		SCREW EI-ST 4X 4 UNI5927 ZC	1,00			--
0017	S PVVR47989		CAP MV 625 REG.	1,00			--
0018	S PVVR47990		RING NUT MV 625 REG.	1,00			--
0019	S PVVR47991		REGISTER MV 625 REG.	1,00			--
0020	S PVVR47992		CLAMP MV 625 REG.	1,00			--
0021	S GUGO46053		O-RING D. 6 X 3 NBR 90SH	1,00			--
0022	PVVR40349		COUPLING VRT3	1,00			--
0023	MLML40026		SPRING VRT3	1,00			--
0024	S GUGO12321		O-RING D. 15.6 X 1.78 NBR 90SH	1,00			--
0025	PVVR40350		CONNECTOR VRT3 G 3/8F	1,00			--
0026	GUGO11225		O-RING D. 10.78 X 2.62 NBR 70SH	1,00			--
0027	PVVR40373		CONNECTOR VRF2.24	1,00			--



Ref. Part n.	Part n. 2	Description	Reference	Price
KTRI40256		KIT P 14-105 VRF2 Reg.	0002 0003 0004 0005 0006 0007 0008 0009 0010 0011 0012 0013 0014 0015 0016 0017 0018 0019 0020	--
KTRI40237		KIT P 14-104 SET GUARNIZIONI	0002 0003 0005 0006 0007 0008 0010 0011 0021 0024	--



Ref. K	Part n.	Part n. 2	Description	Quantity	Validity		Price
					From	To	
0001	PVVR40381		GUN BODY G 5100 G1/4F	1,00			--
0002	S	GUVR40074	ANTI-EXTR.RING D. 3 X 7.4X1.3	1,00			--
0003	S	GUGO21835	O-RING D. 2.84 X 2.62 VIT. 80SH	1,00			--
0004		PVVR40382	PISTON GUIDE G 5100	1,00			--
0005	S	PVVR40112	BALL SEAT G 5000	1,00			--
0006	S	SFVR40002	BALL D.11/32" ALL GR16	1,00			--
0007		MLML40016	SPRING D. 9.4 x21.5x1.6 G5000	1,00			--
0008		GUGO12322	O-RING D. 14 X 1.78 NBR 90SH	1,00			--
0009		PVVR40383	CONNECTOR COLL.G5100 1/4F	1,00			--
0010		VTRS40017	WASHER D. 8.2X11,4X1.00	4,00			--
0011		PVVR40384	TUBE G 1/4" L.105	1,00			--
0012		RCIN40022	CONNECTOR SWIV G5100 1/4F	1,00			--
0013		MPVR40819	RING NUT G 5100 SW. BK.	1,00			--
0014		RCIN40021	JOINT SWIV 5100 M22	1,00			--
0015	S	GUVR40075	ANTI-EXTR.RING D. 10 X14X1.5	1,00			--
0016	S	GUVR40076	ANTI-EXTR.RING D. 11.2X14X1.2	1,00			--
0017	S	GUGO15295	O-RING D. 10.82 X 1.78 VIT 75SH	1,00			--
0018		PVVR40386	SCREW SW. G 5100	1,00			--
0019		VTVR40047	PLUG D. 4X29	2,00			--
0020		MPVR40820	TRIGGER G 6000-SW	1,00			--
0021		MPVR40821	SAFETY-DEVICE G 6000-SW	1,00			--
0022		MPVR40822	SHELL G 6000-SW DX	1,00			--
0023		MPVR40823	PLATE G 6000 GR.DX	1,00			--
0024		PVVR40387	SMALL PISTON G 5100	1,00			--
0025		MLML40029	SPRING G 5100	1,00			--
0026		MPVR40824	SHELL G 6000-SW SX	1,00			--
0027		MPVR40825	PLATE G 6000 GR.SX	1,00			--
0028		VTVT40043	SCREW AF 4X 14 HILO ZN.N	12,00			--
0029		LCPR40086	TUBE 1/4 L=420 ZC. 0°	1,00			--
0030		MPVR40493	CONNECTOR G 5100-SW	1,00			--
0031		MPVR40494	PROTECTION P 420 C/AN.	1,00			--
0035		MPVR40198	CAP G 5000	1,00			--
0036		MPVR40495	CAP G 5100 REM.	1,00			--
0037		PVVR40119	CONNECTION M22X1,5 IRV G5000	1,00			--
0038		RCIN40009	GUDGEON G 1/4 F IRV G5000	1,00			--
0039		GUVR40034	ANTI-EXTR.RING D. 10 X14	1,00			--
0040		GUGO01946	O-RING D. 9.13 X 2.62 VIT 70SH	1,00			--



Ref. Part n.	Part n. 2	Description	Reference	Price
KTRI40243		KIT P 26- 26 SWIVEL G 5100	0015 0016 0017	--
KTRI40414		KIT P 26- 34 G 6000	0002 0003 0005 0006	--



Ref. K	Part n.	Part n. 2	Description	Quantity	Validity		Price
					From	To	
0001	PVVR40381		GUN BODY G 5100 G1/4F	1,00			--
0002	S	GUVR40074	ANTI-EXTR.RING D. 3 X 7.4X1.3	1,00			--
0003	S	GUGO21835	O-RING D. 2.84 X 2.62 VIT. 80SH	1,00			--
0004		PVVR40382	PISTON GUIDE G 5100	1,00			--
0005	S	PVVR40563	BALL SEAT AL36 G6000 + OR	1,00			--
0006	S	SFVR40004	BALL D. 5/16" ALL.GR16	1,00			--
0007		MLML40047	SPRING D. 9.4 x23.5x1.6 G6000	1,00			--
0008		GUGO12322	O-RING D. 14 X 1.78 NBR 90SH	1,00			--
0009		PVVR40383	CONNECTOR COLL.G5100 1/4F	1,00			--
0010		VTRS40017	WASHER D. 8.2X11,4X1.00	4,00			--
0011		PVVR40384	TUBE G 1/4" L.105	1,00			--
0012		RCIN40022	CONNECTOR SWIV G5100 1/4F	1,00			--
0013		MPVR40967	RING NUT G 6000 SW. GR.	1,00			--
0014		RCIN40021	JOINT SWIV 5100 M22	1,00			--
0015	S	GUVR40075	ANTI-EXTR.RING D. 10 X14X1.5	1,00			--
0016	S	GUVR40076	ANTI-EXTR.RING D. 11.2X14X1.2	1,00			--
0017	S	GUGO15295	O-RING D. 10.82 X 1.78 VIT 75SH	1,00			--
0018		PVVR40386	SCREW SW. G 5100	1,00			--
0019		VTVR40047	PLUG D. 4X29	2,00			--
0020		MPVR40820	TRIGGER G 6000-SW	1,00			--
0021		MPVR40821	SAFETY-DEVICE G 6000-SW	1,00			--
0022		MPVR40822	SHELL G 6000-SW DX	1,00			--
0023		MPVR40968	PLATE G 6000/2 GR.DX	1,00			--
0024		PVVR40564	SMALL PISTON G 6000 AL36 SP.	1,00			--
0025		MLML40029	SPRING G 5100	1,00			--
0026		MPVR40824	SHELL G 6000-SW SX	1,00			--
0027		MPVR40825	PLATE G 6000 GR.SX	1,00			--
0028		VTVT40043	SCREW AF 4X 14 HILO ZN.N	12,00			--
0029		LCPR40181	TUBE 1/4 L=416 ZC. 0°	1,00			--
0030		MPVR40493	CONNECTOR G 5100-SW	1,00			--
0031		MPVR40494	PROTECTION P 420 C/AN.	1,00			--
0035		MPVR40198	CAP G 5000	1,00			--
0036		MPVR40495	CAP G 5100 REM.	1,00			--
0037		PVVR40119	CONNECTION M22X1,5 IRV G5000	1,00			--
0038		RCIN40048	GUDGEON G 1/4 F IRV G6000/2	1,00			--
0039		GUVR40034	ANTI-EXTR.RING D. 10 X14	1,00			--
0040		GUGO63555	O-RING D. 9.3 X 2,4 VIT 75SH	1,00			--



Ref. Part n.	Part n. 2	Description	Reference	Price
KTRI40243		KIT P 26- 26 SWIVEL G 5100	0015 0016 0017	--
KTRI40513		KIT P 26- 36 G 6000/II	0002 0003 0005 0006	--