

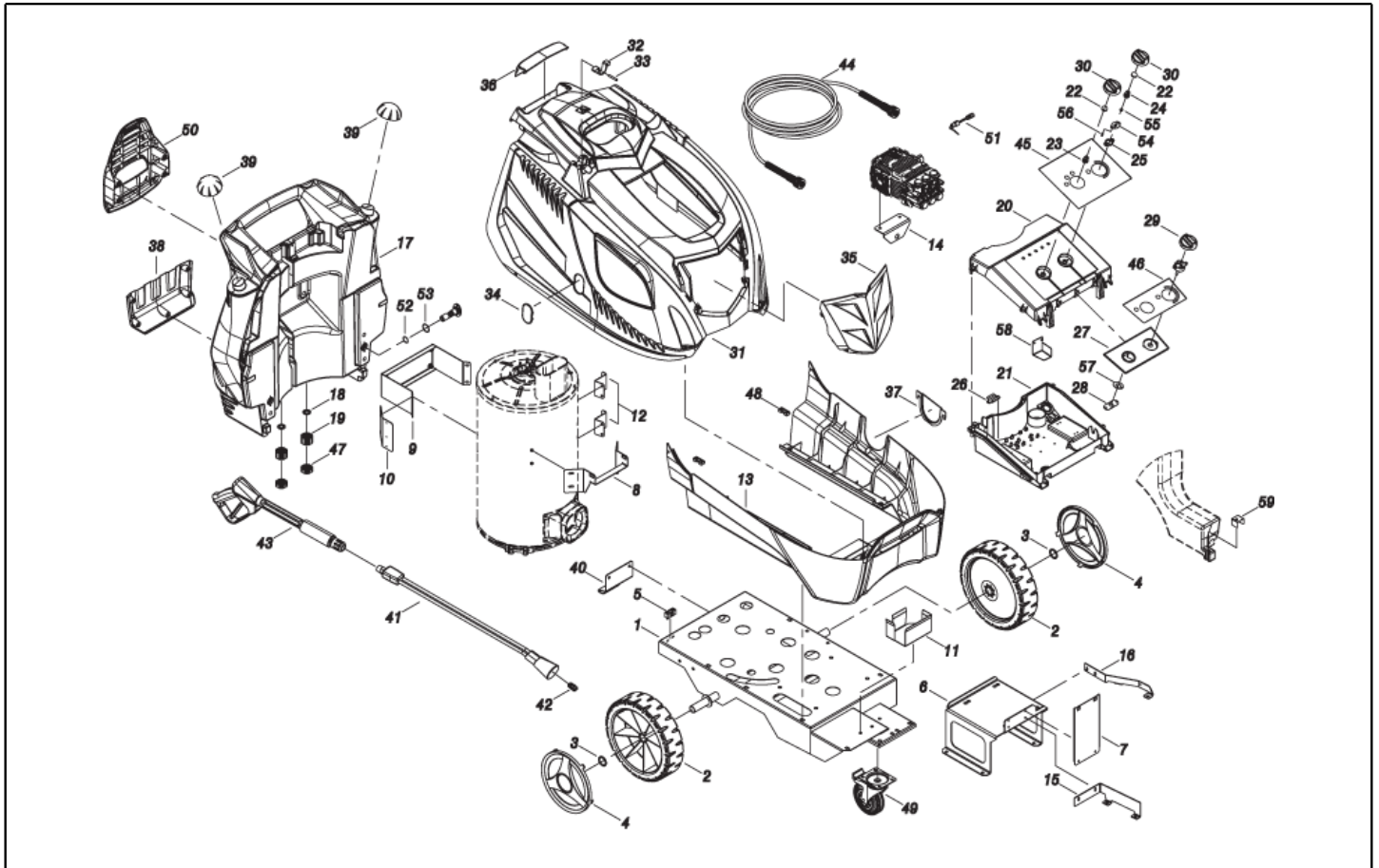


**IPC**

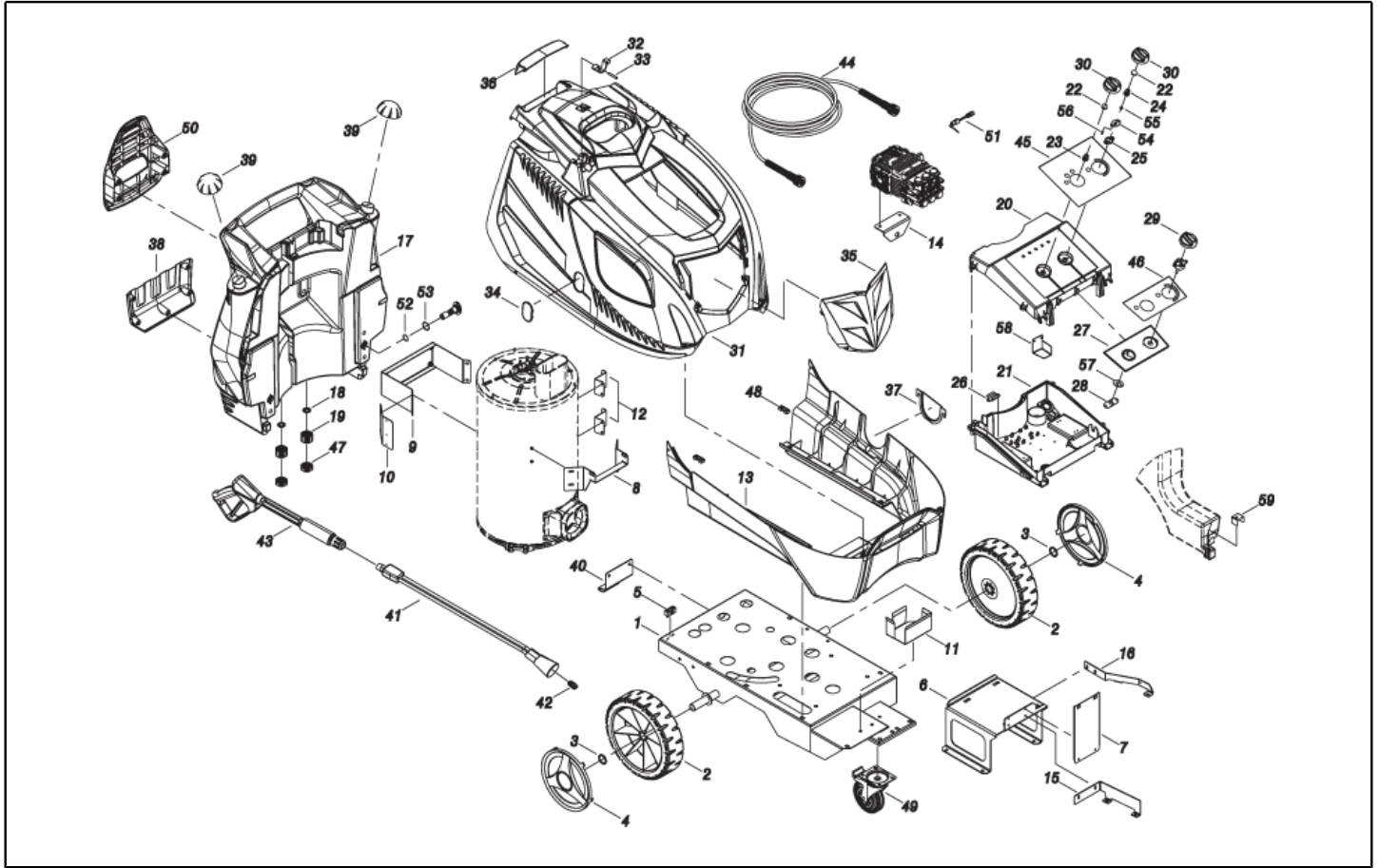
**Spare parts list**

Ref: IDAC40893

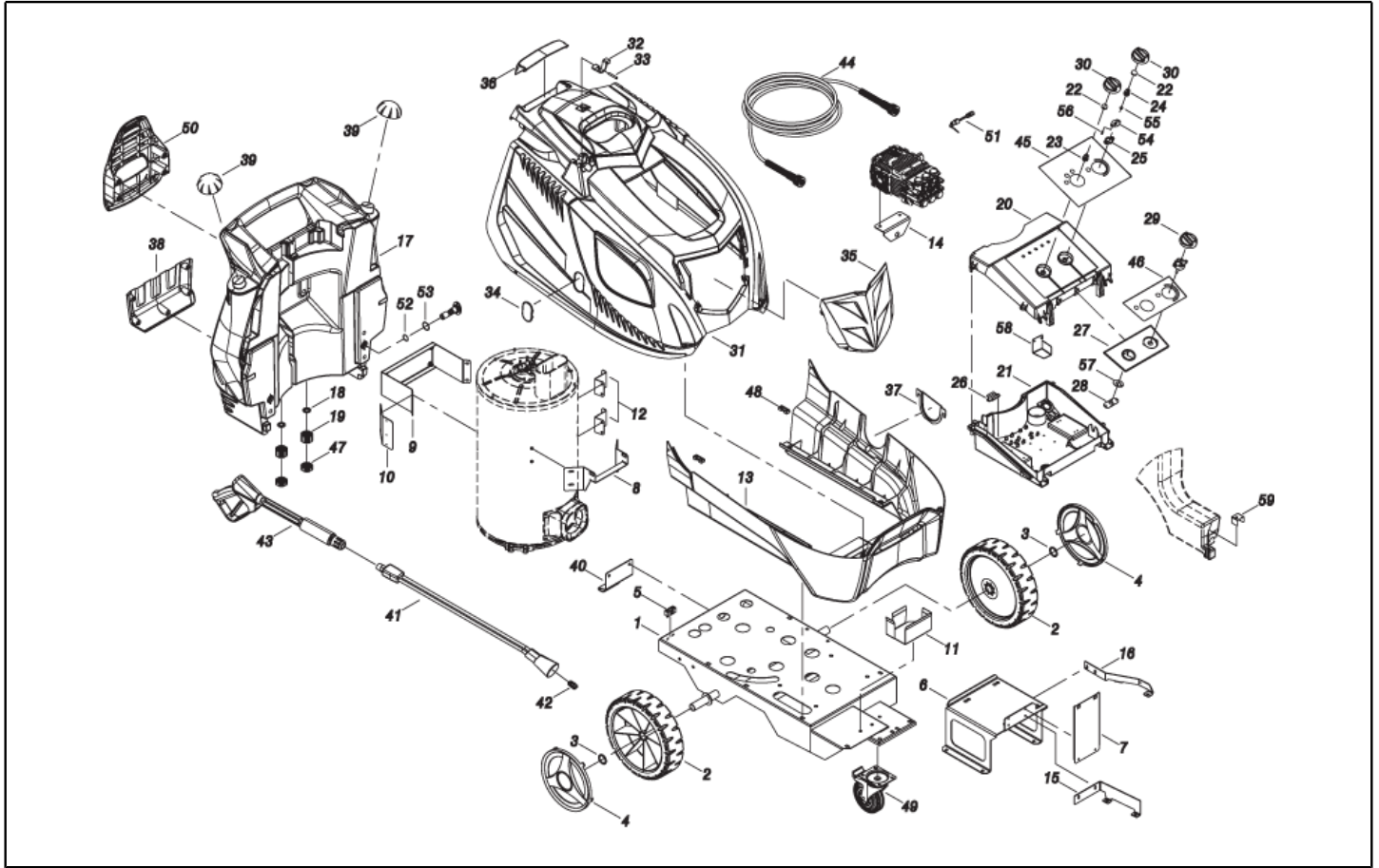
Model: H.P. CLEANER PW-H100P D2021P T400/50IP



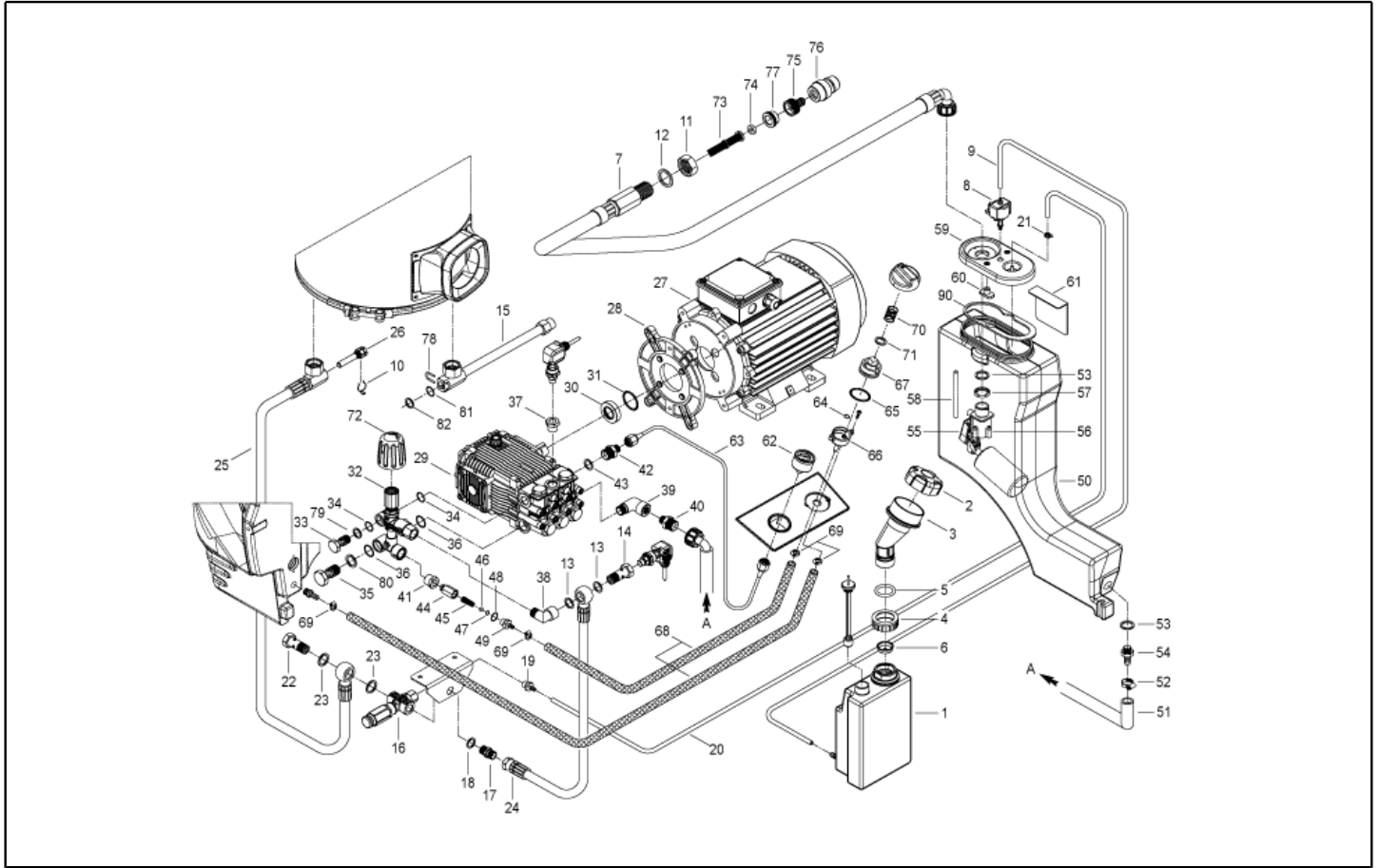
Ref. K	Part n.	Part n. 2	Description	Quantity	Validity		Price
					From	To	
0001	LAFN40755		CHASSIS PW-H100/3W BK.	1,00			--
0002	RTRT45383		WHEEL D.305-D.25 RT-IPC	2,00			--
0003	VTRS09813		WASHER D.25	2,00			--
0004	MPVR40535		HUB CAP D. 305 RT/H35 V.368C	2,00			--
0005	MEVR20906		CABLE CLAMP KSM	1,00			--
0006	LAFN40752		MOTOR SUPPORT PW-H100 ZC.	1,00			--
0007	LAFN40742		SUPPORT PW-H100 AN.ZC.	1,00			--
0008	LAFN40743		SUPPORT PW-H100 PS.ZC.	1,00			--
0009	LAFN40571		BRACKET PW-H35 PM.ZC	1,00		14/07/2016	--
0009	LAFN40835		BRACKET PW-H35 PM.2 ZC	1,00	15/07/2016		--
0010	LAFN40745		SUPPORT BRACKET PW-H100 ZC.	1,00			--
0011	LAFN40746		SUPPORT BRACKET PW-H100 ZC.	1,00			--
0012	LAFN40748		B.TANK BRACKET PW-H100 ZC.	2,00			--
0013	MPVR40774		BLACK COVER PW-H100 INF.PP	1,00			--
0014	LAFN40747		VALVE BRACKET SIC. PW-H100 ZC	1,00			--
0015	LAFN40751		SUPPORT BRACKET PW-H100 LAT.	1,00			--
0016	LAFN40749		SUPPORT BRACKET PW-H100 ANT.	1,00			--
0017	MPVR40792		TANK PW-H100 PL. PEHD BK.	1,00			--
0018	GUGO11489		GASKET D.22X1,5	2,00			--
0019	PVVR11806		DISCHARGE CAP FLL	2,00			--
0020	MPVR40540		BOX COVER PW-H35 ABS BK.	1,00			--
0021	MPVR40784		CONTROL BOX PW-H35 C/F.TH ABS BK.	1,00			--
0022	GUGO25527		O-RING D. 14 X 3 NBR 70SH	2,00			--
0023	MPVR23482		TAIL PIECE TEC. TUV	1,00			--
0024	S MPVR40843		TAIL PIECE THERM.PW-H PL.	1,00	01/11/2016		--
0025	S MPVR41903		THICKNESS TERM.IM.PA66	1,00			--
0026	LAFN46067		SUPPORT L.60 P176	1,00			--
0027	MPVR40542		ANT. PANEL PW-H35 ABS BK.	1,00	01/03/2017		--
0028	LAFN40561		JUNCTION BOARD PW-H35 ZC.	1,00		28/02/2017	--
0028	LAFN40922		JUNCTION BOARD PW-H35 D.14 ZC.	1,00	01/03/2017		--
0029	MPVR13685		BLACK KNOB PRT-AC	1,00			--
0030	MPVR49057		BLACK KNOB P176-M.RACE PA6	2,00			--
0031	MPVR40763		GREEN COVER PW-H100 SUP.PP GR.368C	1,00			--
0032	MPVR40485		RUBBER PW-H35 15-20BK.	1,00			--
0033	MPVR40534		PIN PW-H35 PP BK.	2,00			--
0034	MPVR40539		DOOR PW-H35 PPL NT.	1,00			--
0035	MPVR40764		DOOR PW-H100 PPL BK.	1,00			--
0036	MPVR40765		DOOR PW-H100 PT.PPL BK.	1,00			--
0037	MPVR40532		DOOR PW-H35 PPL BK.INF.	1,00			--
0038	MPVR40533		TOOL HOLDER PW-H35 PP BK.	1,00			--
0039	MPVR40187		TANK CAP P215 PEHD C/F.	2,00		14/11/2022	--
0039	MPVR45426		TANK CAP P176 PEHD	2,00	15/11/2022		--
0040	LAFN40609		FOOT PW-H35/4W	1,00			--
0041	LCPR40087		EXTENSION P 70 -P20.IX700 M22 M	1,00		31/08/2017	--



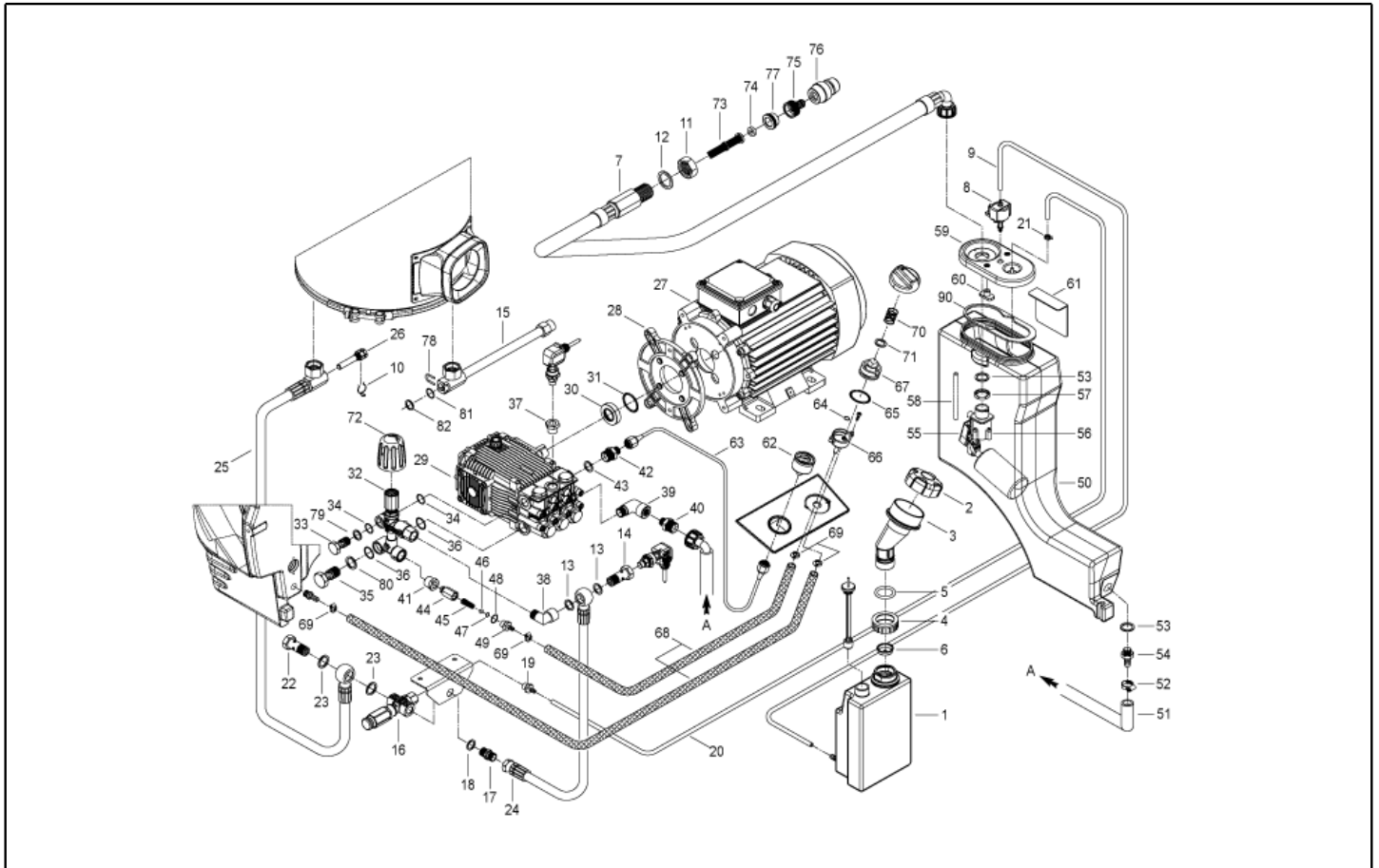
Ref. K	Part n.	Part n. 2	Description	Quantity	Validity		Price
					From	To	
0041	LCPR40159		EXTENSION P 70 -P20.IX700 M22 M 0°	1,00	01/09/2017		--
0042	UGLN02303		NOZZLE LECH 1/4 15065	1,00			--
0043	IPPR40020		GRIP G 6000+P.330 +M22 SW.M V	1,00		14/06/2018	--
0043	IPPR40025		GRIP G 6000+P.330 +M22 SW.M 2V	1,00	15/06/2018		--
0044	TBAP40009		H.P. HOSE R2 MT 10 5/16" C/2 IRV IX	1,00			--
0045	ETET40821		LABEL PW-H100 ELETT.PL.	1,00			--
0046	ETET40767		LABEL PW-H100 IDR.	1,00			--
0047	MPVR20187		RING NUT M 39 X 3	2,00			--
0048	MPVR28554		CABLE FASTNER ELT	2,00			--
0049	RTRT13708		TURNING WHEEL D.125 P. MZ.PLS	1,00			--
0050	MPVR40701		HOSE SUPPORT PW-H35 PP BK.	1,00			--
0052	GUGO01056		O-RING D. 18.72 X 2.62 NBR 70SH	1,00			--
0053	GUGO01197		O-RING D. 22.22 X 2.62 NBR 70SH	1,00			--
0054	S LAFN40763		PLATE PW-H28 POT. IX	1,00			--
0055	S LAFN40916		BUSHING D. 6- 9 L= 8 BZ.SINT.	1,00	01/11/2016		--
0056	S VTRV40014		PIN CH. 7 X 10 M4M/M4F NIK.	2,00			--
0057	LAFN40921		PLATE PW-H35 D.14 ZC.	1,00	01/03/2017		--
0058	LAFN40967		PROTECTION PW-H100 ZC	1,00	01/06/2017	28/02/2019	--
0058	LAFN41161		PROTECTION PW-H100 SM ZC	1,00	01/03/2019		--
0059	LAFN40919		BRACKET PW-H100 ZC.	1,00	05/11/2016		--



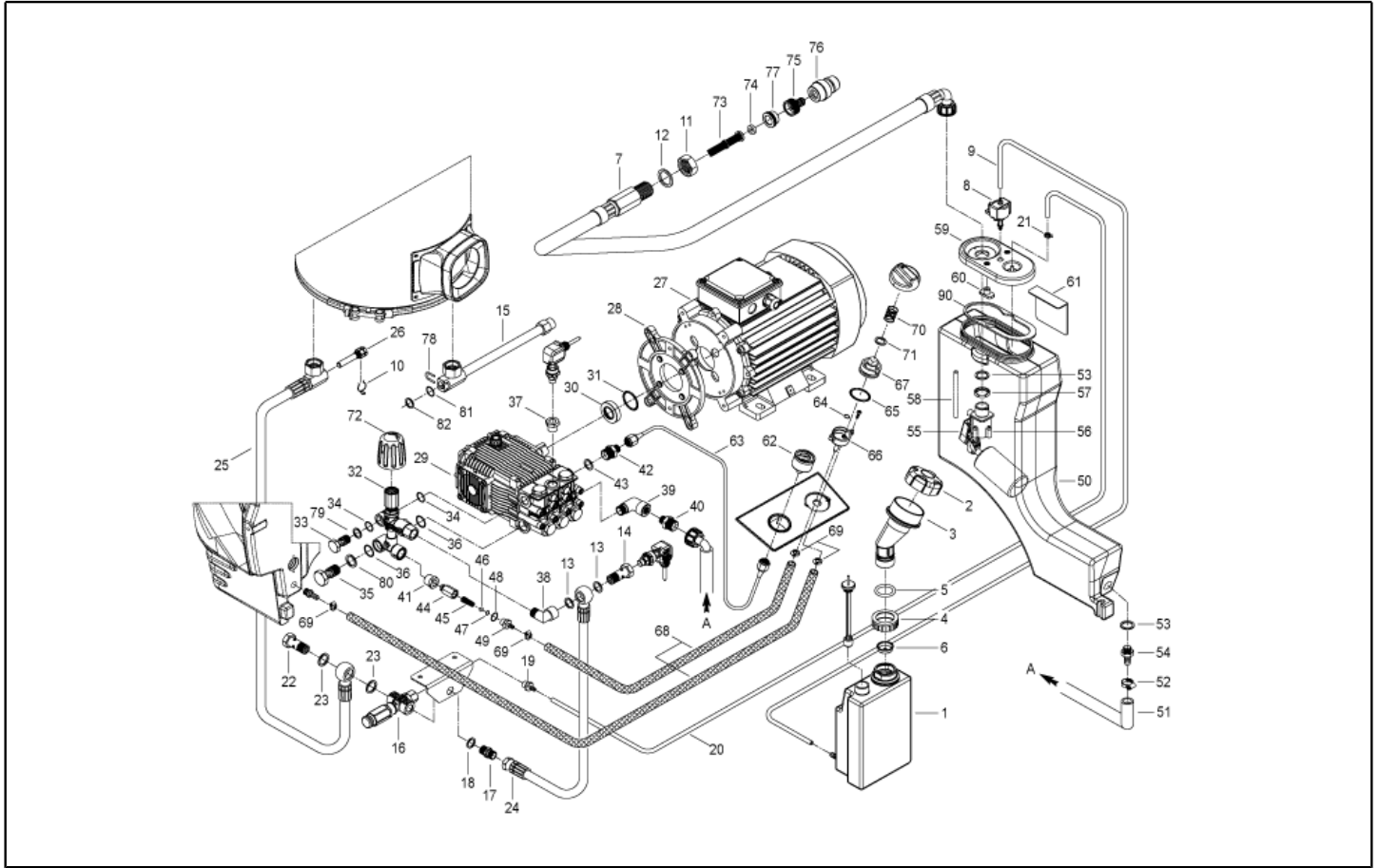
Ref. Part n.	Part n. 2	Description	Reference	Price
POT KTRI40415		KIT P 20- 4 POT. VSH P11 PW-H	0024 0025 0054 0055 0056 POT	--



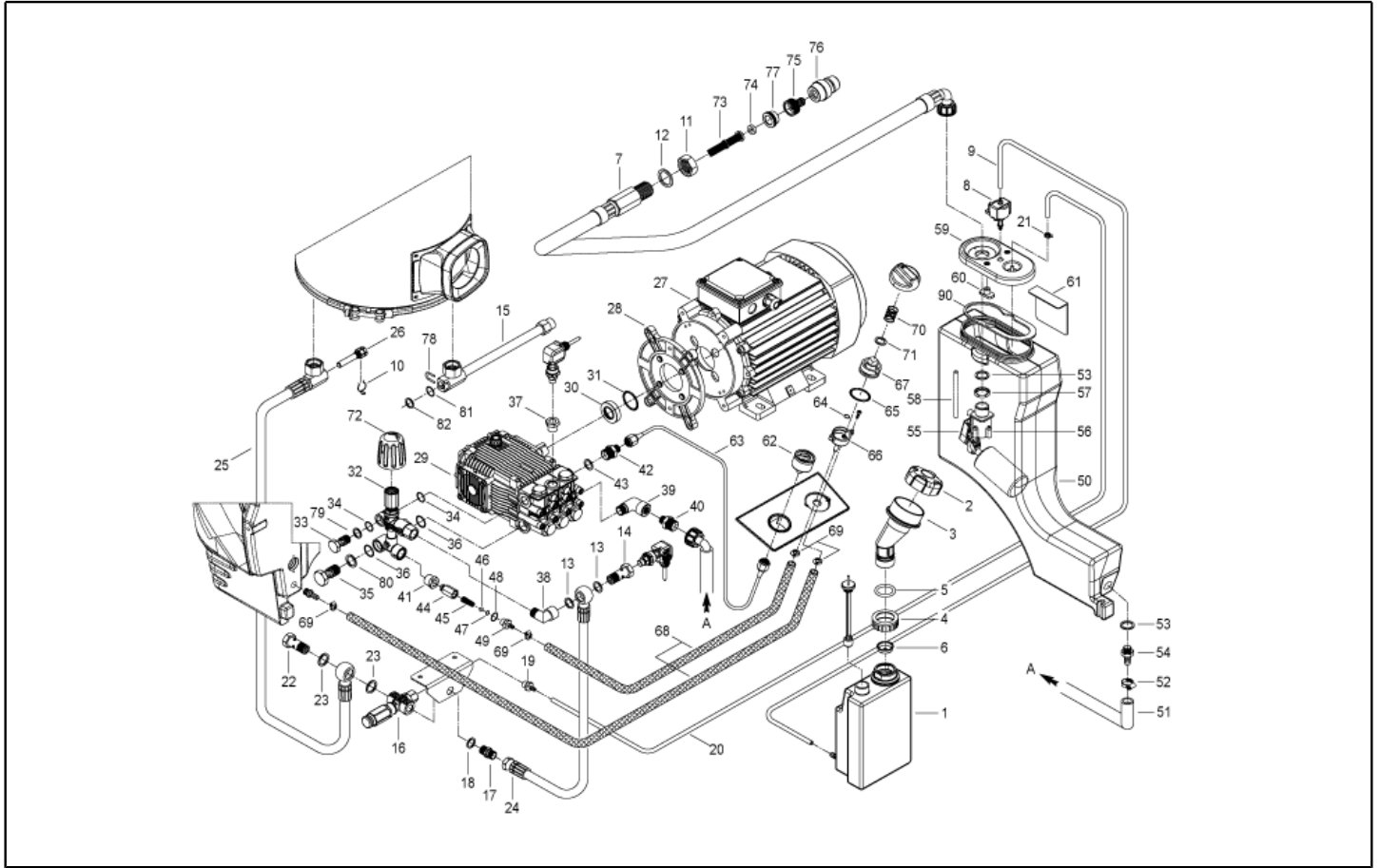
Ref. K	Part n.	Part n. 2	Description	Quantity	Validity		Price
					From	To	
0001	MPVR40698		TANK KSM C/PE.	1,00			--
0002	MPVR40187		TANK CAP P215 PEHD C/F.	1,00			--
0003	MPVR40700		MANIFOLD A.CLCL PW-H35 PP NT.	1,00			--
0004	MPVR40739		TANK CAP KSM D.36.2	1,00			--
0005	GUGO89386		O-RING D. 30 X 5 NBR 70SH	1,00			--
0006	MPVR18582		CAP D.22	1,00			--
0007	TBBP40090		L.P. HOSE L=1870 3/4F90°-1/2M 0°	1,00			--
0008	MEPD45940		DESCALING PUMP NME 1 24V 50/60HZ	1,00			--
0009	TBBP00058		L.P. HOSE D. 4- 7	1,10			--
0010	MLML02623		SPRING IMT	1,00			--
0011	RCDS49875		RING NUT 1/2"X 6 CH.27 OT.	1,00			--
0012	VTRS00549		WASHER D.21,5X27X1.5 (1/2) RM	1,00			--
0013	VTRS00548		WASHER D.17,5X23X1,5 (3/8)RM	2,00		21/07/2022	--
0013	VTRS40026		WASHER 3/8 ZC + NBR 85SH	2,00	22/07/2022		--
0014	RCDS40148		SCREW G 3/8 - 1/4F L=36 ZC.	1,00			--
0015	S RCDS21118		CONNECTOR KSM	1,00			--
0015	S RCDS21119		NUT KSM	1,00			--
0015	S RCDS40230		CONNECTOR G 3/8F -1/4 -P/NTC C.27	1,00			--
0015	S RCDS40041		CONNECTOR L=216 2X3/8M CN. ZC.	1,00			--
0015	S RCIN03753		MALE COUPLING M22-3/8 M-FA	1,00			--
0016	VVSC40033		VALVE SVT40 400B. LT.25 G 3/8"	1,00	01/10/2022		--
0016	VVSC72419		VALVE VS 350 G3/8 2E.	1,00		30/09/2022	--
0017	RCDS00610		NIPPLE 3/8 - 3/8 SV	1,00			--
0018	VTRS00548		WASHER D.17,5X23X1,5 (3/8)RM	1,00			--
0019	RCDS03514		HOSE FITTING 3/8 M D. 5- 7	1,00			--
0020	TBBP93804		L.P. HOSE D. 6- 9	1,40			--
0021	FSVR40021		CLAMP D 7.8 - 8.3	1,00		31/01/2020	--
0021	FSVR72800		CLAMP D 8.3 - 8.8	1,00	01/02/2020		--
0022	RCDS01371		SCREW G 3/8 A.P.	1,00			--
0023	VTRS00548		WASHER D.17,5X23X1,5 (3/8)RM	2,00			--
0024	TBAP40174		HOSE-FITTING 5/16 R2 3/8OC. -3/8F 0°	1,00			--
0025	TBAP40173		HOSE-FITTING 3/ 8 R2 L=460 3/8OC.-PM26	1,00		31/12/2022	--
0026	RCDS00593		SUMP IM 0-120 L=50	1,00			--
0027	MOTR40012		3PH MOTOR H100 HP 9 2/460-5/60 K.8M	1,00			--
0028	MFVR21735		COUNTERFLANGE MEC 112 2.V	1,00			--
0029	PPAP40063		PUMP RK 20.19 DX NC 21LT.	1,00			--
0030	RCDS40109		BUSHING AR RK OT	1,00			--
0031	GUGO42285		O-RING D. 35 X 2.5 VIT.70SH	1,00			--
0032	VVAZ40062		VALVE VRF-2 AR-R AF S/L. RG	1,00			--
0033	RCDS40172		SCREW 3/8 VRF-2 OT 4F.	1,00			--
0034	GUGO03510		O-RING D. 12.37 X 2.62 NBR 70SH	2,00			--
0035	RCDS40171		SCREW G 1/2 VRF-2 OT. 2F.	1,00			--
0036	GUGO01048		O-RING D. 15.88 X 2.62 NBR 70SH	2,00			--
0037	PVVR40208		CAP AR RK C/F. 1/4F+OR	1,00			--



Ref. K	Part n.	Part n. 2	Description	Quantity	Validity		Price
					From	To	
0038	RCVR40158		ELBOW 3/8"-3/8" M/F A.P.Cn OTT.	1,00			--
0039	RCVR00575		ELBOW 1/2" M/F A10	1,00			--
0040	RCDS88747		NIPPLE 3/4 - 1/2 CB D. 9,0	1,00			--
0041	RCVR02606		REDUCTION 1/2-1/4 M/F	1,00			--
0042	RCDS00608		NIPPLE 3/8 - 1/4 SV	1,00			--
0043	VTRS00548		WASHER D.17,5X23X1,5 (3/8)RM	1,00			--
0044	RCDS46072		VALVE BODY N/R 1/4F-1/4 P176 OT	1,00			--
0045	MLML21505		SPRING D. 8 X5 X0.3	1,00			--
0046	SFVR04274		BALL D. 7/32	1,00			--
0047	GUGO01055		O-RING D. 5.28 X 1.78 VIT 70SH	1,00			--
0048	GUGO01036		O-RING D. 10.82 X 1.78 NBR 70SH	1,00			--
0049	RCDS10546		VALVE SEAT 1/4M + PG. D.3-7.5 OTT	1,00			--
0050	MPVR40767		WATER TANK PW-H100 PEHD NT.	1,00			--
0051	TBBP40091		L.P. HOSE L= 650 3/4F 0°-LIB.19X26	1,00			--
0052	FSVR00431		CLAMP D. 16-25	1,00			--
0053	GUGO40060		GASKET D. 21.0-33 X 2.5 EPDM	2,00			--
0054	RCVR40154		HOSE FITTING PPL D.19 -G.1/2M	1,00			--
0056	RCGR89343		FLOATER MTM 3/4 PP. S/F. +ADP.245	1,00			--
0057	RCVR49974		RING NUT 3/4" X 4 NIK	1,00			--
0058	TBBP07631		L.P. HOSE D.10-14	0,08		14/06/2016	--
0058	TBBP40105		L.P. HOSE D.12-17 CRISTALL	0,08	15/06/2016		--
0059	MPVR40516		TANK COVER P190-35 PA6 BL.	1,00			--
0060	MPVR89078		PLATE P190 PA6 BL.	2,00			--
0061	LAFN40732		PANEL PW-H28 INX	1,00			--
0062	MNMN18650		PRESSURE GAUGE 0-300 D.40	1,00	01/03/2017		--
0063	TBAP40113		POLYAMIDE HOSE L=420 1/4F GR.-1/8F MN.	1,00	01/03/2017		--
0064	GUGO08071		O-RING D. 4.48 X 1.78 NBR 70SH	1,00	01/03/2017		--
0065	GUGO12183		O-RING D. 23.4 X 3.53 VIT 70SH	1,00	01/03/2017		--
0066	RCGR08069		TAP BODY DET. PRT	1,00	01/03/2017		--
0067	RCGR08070		ADJUSTER PRT	1,00	01/03/2017		--
0068	TBBP00051		DETERGENT HOSE D. 6-12	1,20	01/03/2017		--
0068	TBBP00051		DETERGENT HOSE D. 6-12	0,77	01/03/2017		--
0069	FSVR00427		CLAMP D. 12 CLIC 66-110	2,00	01/03/2017		--
0070	MLML08068		SPRING D.1,5 L.23	1,00	01/03/2017		--
0071	VTRS00542		WASHER D.14X20	1,00	01/03/2017		--
0072	MPVR40589		BLACK KNOB ST 260 IPC	1,00			--
0073	FTAC30214		FILTER D.15X67	1,00			--
0074	GUGO37736		GASKET D. 10- 19 X 5 70SH	1,00			--
0075	RCVR29600		SOCKET PTC 3/4 F	1,00			--
0076	RCVR29602		CONNECTOR D. 1/2"-5/8" PTC	1,00			--
0077	RCVR37806		REDUCTION PTC 3/4-1/2 M/F	1,00			--
0078	LAFN40832		PLUG "U" SIST.NTC PW-H INX	1,00			--
0079	VTRS00548		WASHER D.17,5X23X1,5 (3/8)RM	1,00	01/02/2016		--
0080	VTRS00549		WASHER D.21,5X27X1,5 (1/2) RM	1,00	01/02/2016		--

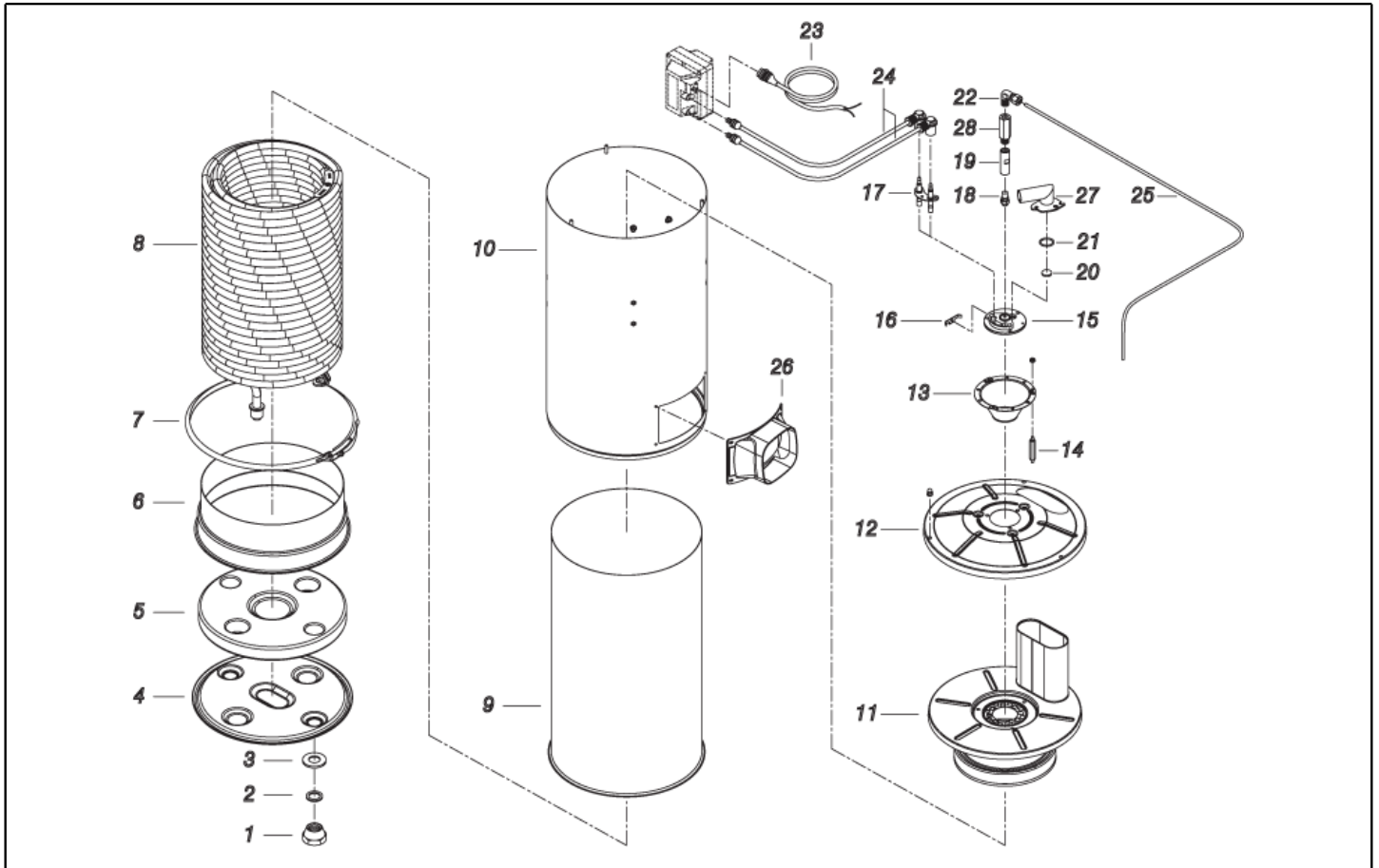


Ref. K	Part n.	Part n. 2	Description	Quantity	Validity		Price
					From	To	
0081	GUGO27030		O-RING D. 6 X 3 VIT 70SH	1,00			--
0082	GUVR40089		ANTI-EXTR.RING D. 6.6X11.9X1.5 PTFE	1,00			--
0090	GUGO40115		GASKET 164X 81X3 EPDM-60	1,00	01/12/2020		--

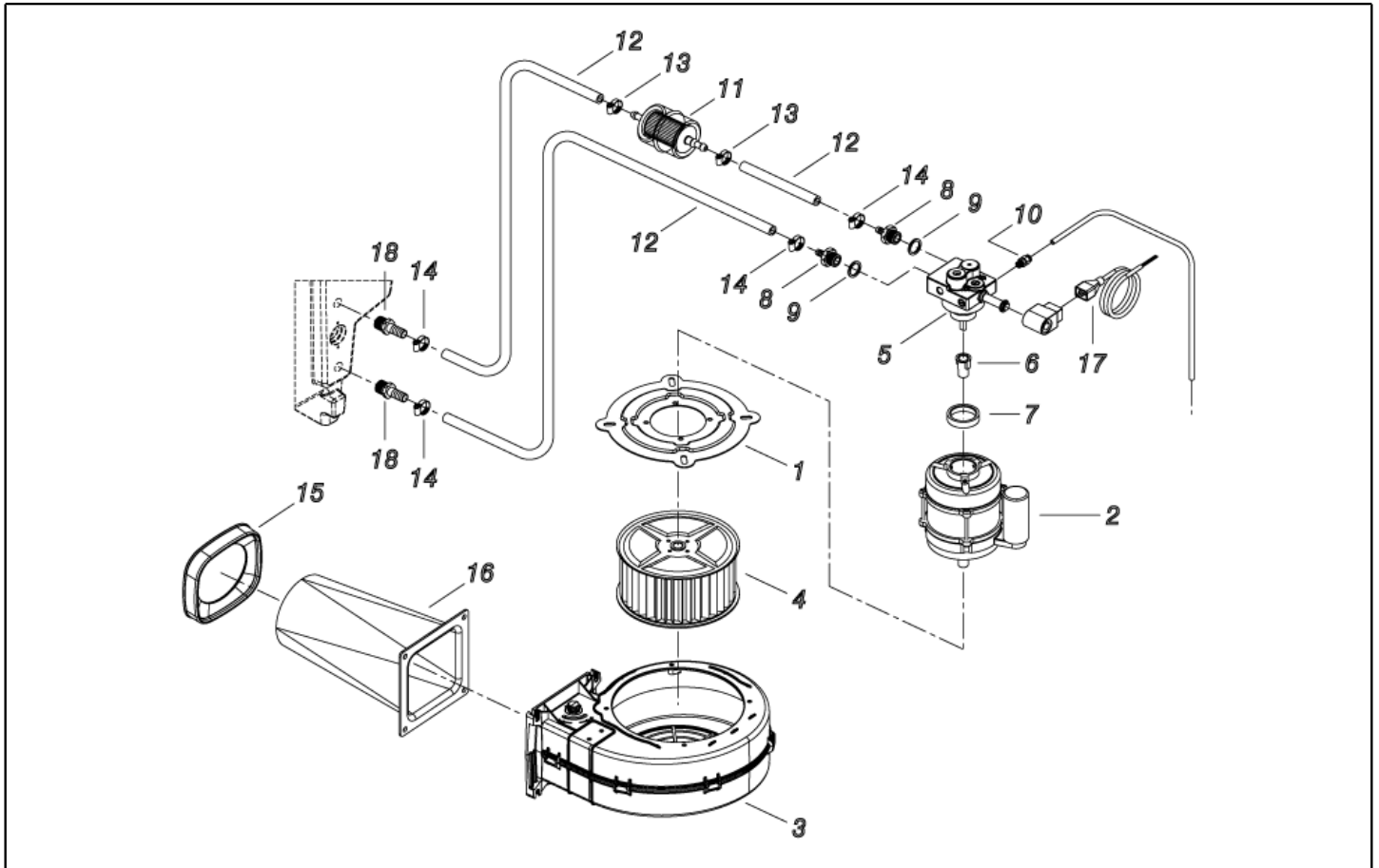


Ref. Part n.	Part n. 2	Description	Reference	Price
0015 KTRI40385		KIT P 13- 13 PW-H100 NTC	0015 0015 0015 0015 0015 0015 0015	--

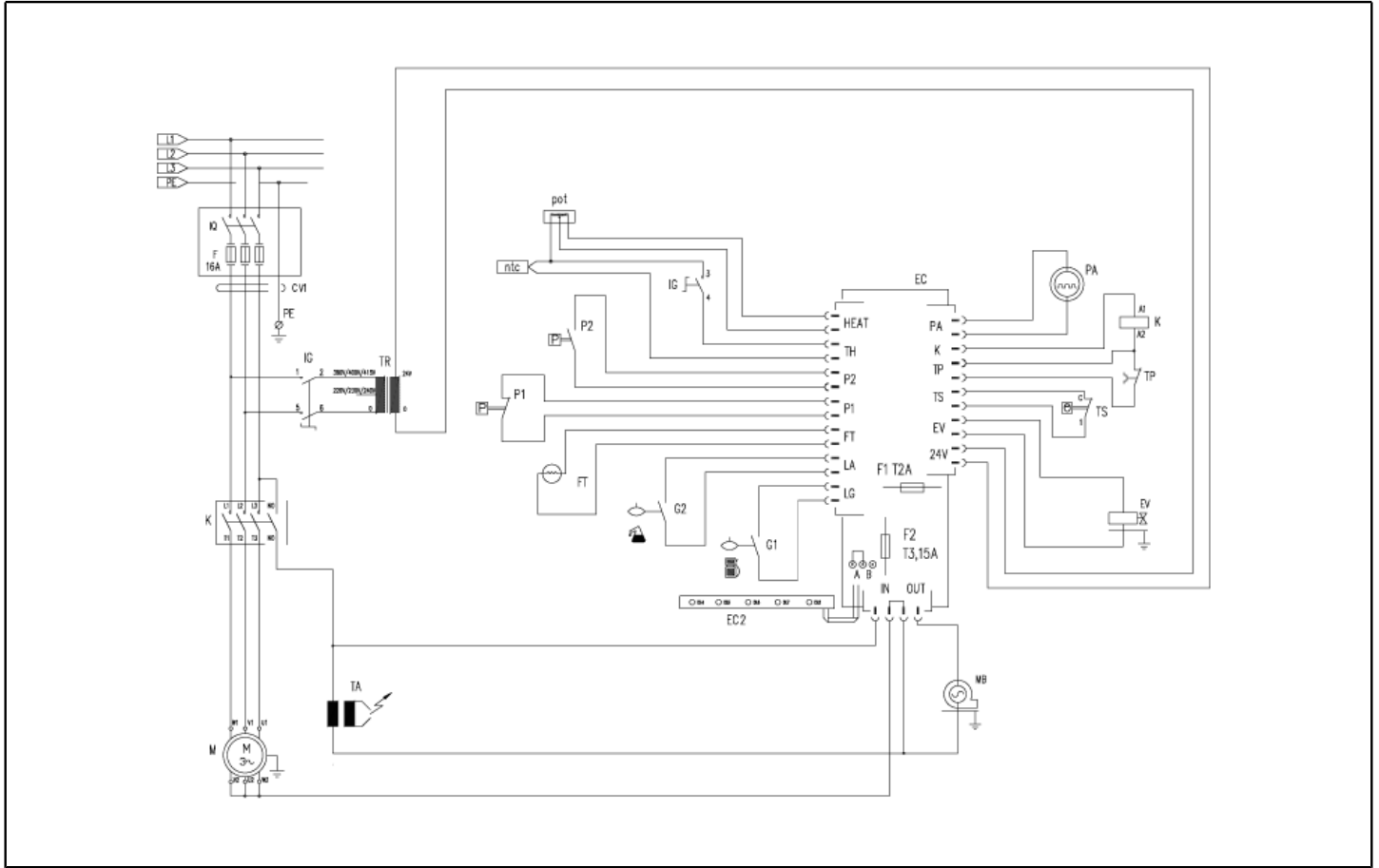




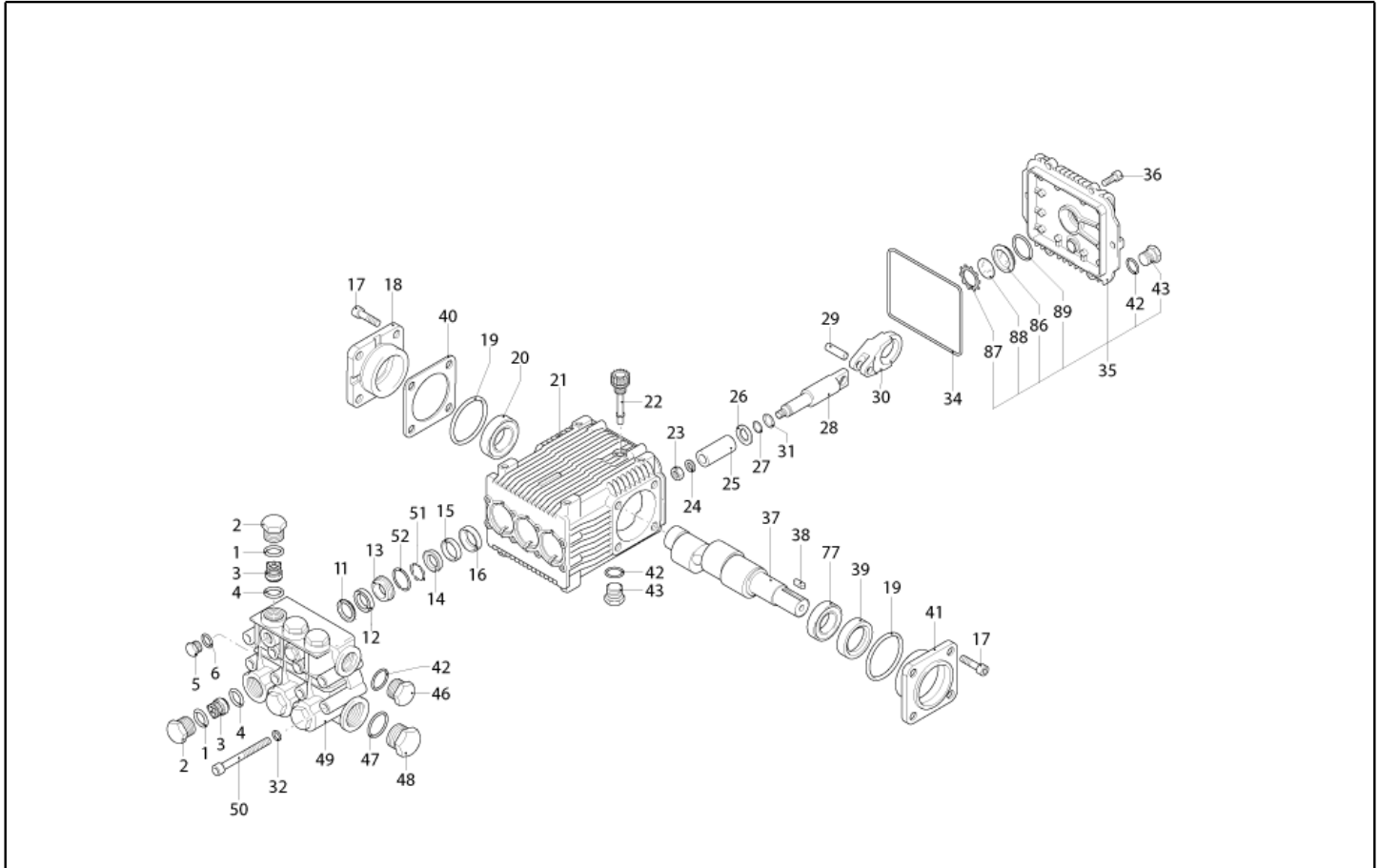
Ref. K	Part n.	Part n. 2	Description	Quantity	Validity		Price
					From	To	
0001	RCDS21120		RING NUT M 26 X 1,5	2,00			--
0002	GUGO21222		O-RING D. 15.54 X 2.62 VIT 80SH	2,00			--
0003	GUVR21021		ANTI-EXTR.RING D. 21 X17 TEF.	2,00			--
0004	LAFN44149		BOILER BOTTOM P176	1,00			--
0005	ITTE44175		BOTTOM P176 C.TE	1,00			--
0006	LAFN40733		BAND P176-H28 INX	1,00			--
0007	LAFN40037		RING D.342 P176 ZN 2V.CPL.	1,00			--
0008	LAGR44873		DOUBLE COIL M26X1.5 P176 40MT.	1,00			--
0009	LAFN40275		INT. CYLINDER PM 40MT INX	1,00			--
0010	LAFN40758		EXT. CYLINDER PM-H100.40 INX	1,00			--
0011	LAFN40759		BOILER COVER SI PM-H100.40 INX	1,00			--
0012	LAFN40270		BOILER COVER SE PM INX	1,00			--
0013	LAFN44244		BAFFLE P176 30M INX	1,00			--
0014	LAFN40287		PIN CH.10 X 65 M5M/M5M	3,00			--
0015	MFVR18226		ELECTR.HOLDER FUT 3°V	1,00			--
0016	LAFN07641		PLATE INX	1,00			--
0017	MECA12525		ELECTRODE FUT	1,00			--
0018	UGBR31344		BURNER NOZZLE 1.75 60 S	1,00			--
0019	RCDS07642		NOZZLE HOLDER FUT	1,00			--
0020	MPVR18228		OIL WARN-LIGHT D.17 X3	1,00			--
0021	GUGO40061		GASKET D. 10- 18 X 1 NBR	1,00			--
0022	RCVR08954		ELBOW 1/8"-4 B5	1,00			--
0023	MECB34463		CABLE BT L=800 SP. FD	1,00			--
0024	MECV35335		CABLE A.T. 9,8-23KOHMM L= 500P	2,00			--
0025	TBCO40068		DIESEL HOSE PW-H100 40M D. 4 IX	1,00			--
0026	MPVR88426		CONVEYOR P176 PA6 BK.	1,00			--
0027	LAFN40734		SUPPORT PW-H35 BK.	1,00		31/01/2019	--
0027	LAFN40734		SUPPORT PW-H35 BK.	1,00	01/12/2019		--
0027	LAFN41123		SUPPORT PW-H 2V. BK.	1,00	01/02/2019	30/11/2019	--



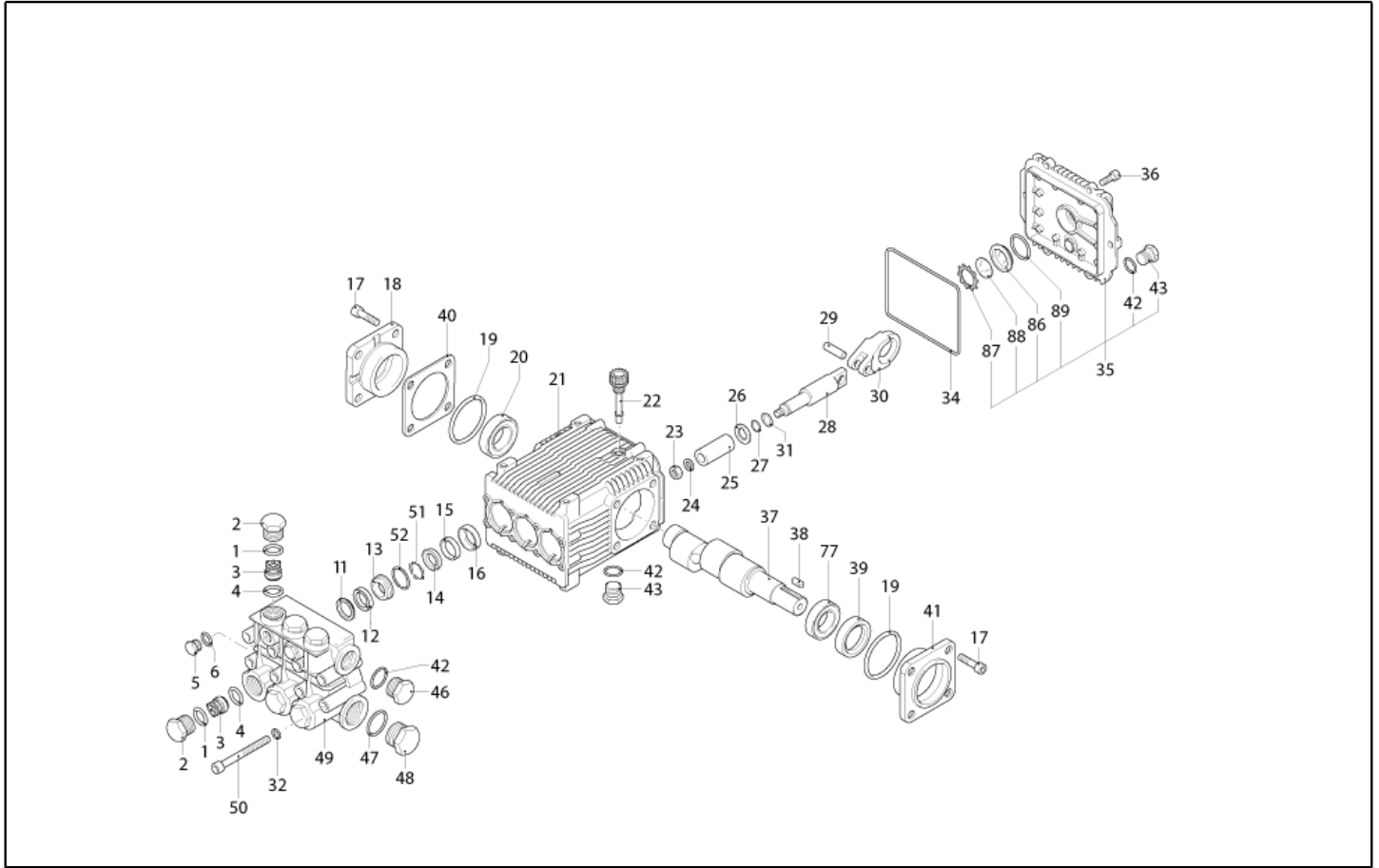
Ref. K	Part n.	Part n. 2	Description	Quantity	Validity		Price
					From	To	
0001	LAFN10272		MOTOR PLATE CB 3	1,00			--
0002	MOMB40009		BURNER MOTOR 230-50 IPX5 180W AO/C	1,00			--
0003	MPVR40665		SCROLL CB4 -2PZ.GR.	1,00	06/11/2015		--
0004	VEVR34275		IMPELLER D.160-80 D.12.7 36P B.SX	1,00			--
0005	PPGS40005		FUEL PUMP DNF BFA 01L3R2	1,00			--
0006	FGGT36513		JOINT HP 0.25 AACO	1,00		28/02/2019	--
0006	FGGT40022		JOINT V.1409 DERL.SIM	1,00	01/03/2019		--
0007	GUGO40062		GASKET PW-H100 MOT.BR.	1,00			--
0008	RCDS00626		HOSE FITTING 1/4 M D. 5- 7	2,00			--
0009	VTRS04931		WASHER COPPER D.13X19X1.5	2,00			--
0010	RCVR14014		BI-CONE CONNEC. DTT 1/8" M B1 D. 2/ 4 NIK	1,00			--
0011	FTCO40003		FUEL FILTER FB 7/TA 60mc NYL.	1,00		24/02/2016	--
0011	FTCO40004		FUEL FILTER FB 7/T 60mc NYL.	1,00	25/02/2016		--
0012	TBCO06945		L.P. HOSE D. 6-12 10BAR C.PRESS	0,11			--
0012	TBCO06945		L.P. HOSE D. 6-12 10BAR C.PRESS	1,00			--
0012	TBCO06945		L.P. HOSE D. 6-12 10BAR C.PRESS	1,22			--
0013	FSVR11197		CLAMP D.12.9-13.6	2,00			--
0014	FSVR00427		CLAMP D. 12 CLIC 66-110	6,00			--
0015	GUGO88425		GASKET P245 EPDM	1,00			--
0016	MPVR40766		CONVEYOR CB4-H100 PA6	1,00			--
0017	MECB46130		CABLE DLT L=1100	1,00			--
0018	RCVR40113		HOSE FITTING 1/8 M D. 5- 7 NIK	3,00			--



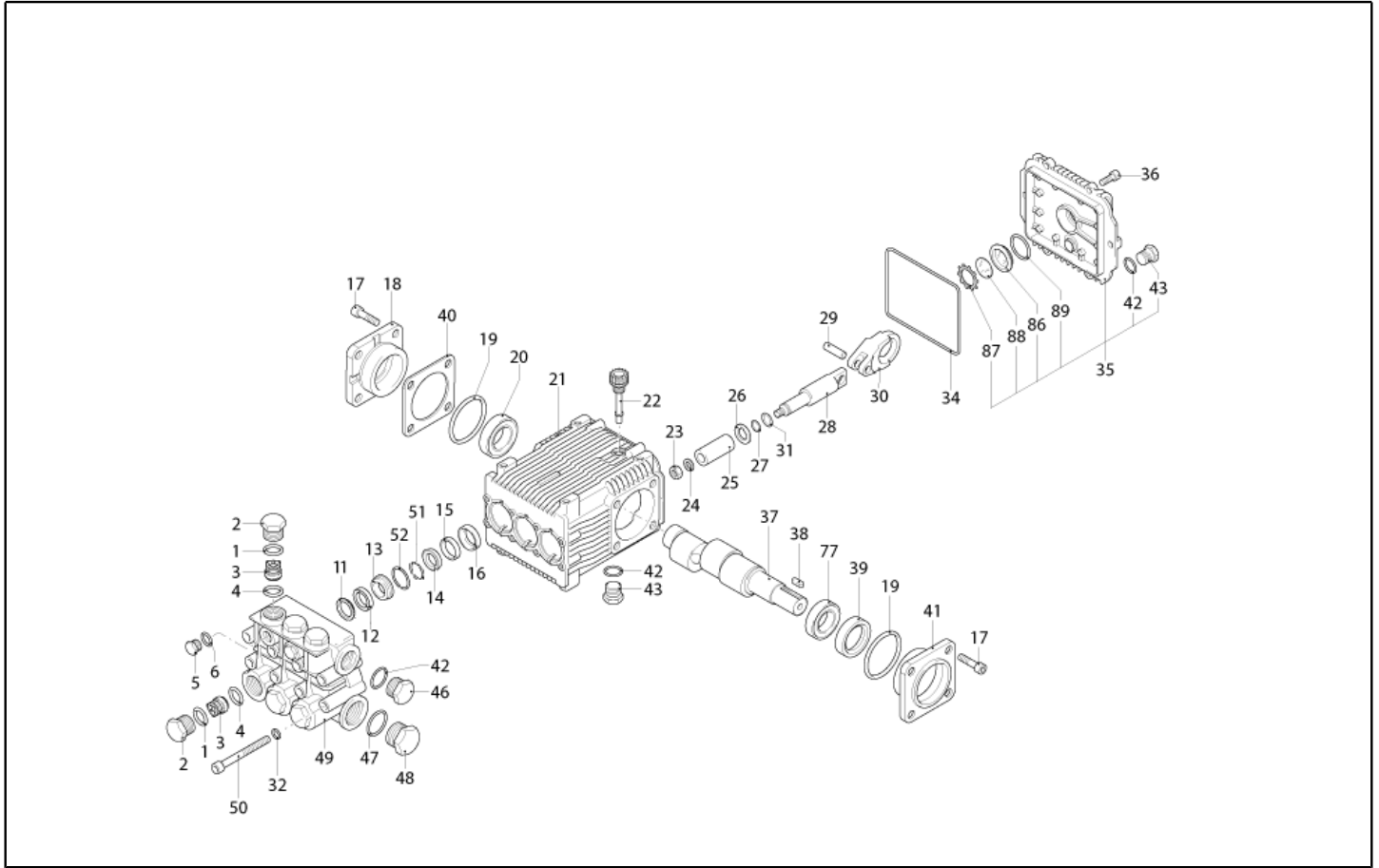
Ref. K	Part n.	Part n. 2	Description	Quantity	Validity		Price
					From	To	
K	METT40019		CONTACTOR SIE 3RT 2025-1AC20 24V	1,00			--
EV	MEBE43704		COIL DNF 24-50	1,00			--
FT	MECF40005		PHOTOELET.CELL LDS 057H7103 C/CNN.	1,00	10/09/2016	31/01/2019	--
FT	MECF40007		PHOTOELET.CELL LDS 057H7292 3pz. C/CNN.	1,00	01/02/2019	30/11/2019	--
FT	MECF40008		PHOTOELET.CELL FT13/R MM1000 W	1,00	01/12/2019		--
G1	MECI40006		SENSOR LEVEL S1 PML.XD.FPJ FST.	1,00			--
G2	MECI34444		SWITCH REED N.C.H185 L=1300	1,00			--
IG	MECI40017		COMMUTAT.SWITCH 0-1-2 UN.	1,00			--
TA	METR88630		TRANSFORMER 23/240V-5/60HZ 2X26KV TR.	1,00			--
TR	METR40018		TRANSFORMER 25VA 230-400/24 5/60HZ PM	1,00			--
TS	METK34839		THERMOSTAT 60°C TU V ST T.F. C.1.5	1,00	01/10/2017		--
CV1	MECB40146		CABLE H07 RNF 4X2.5 L=6.800	1,00			--
EC1	MECE40045		PCB PW T-SI/MP V.PL.+CO-Ntc	1,00			--
EC2	MECE40041		PCB LED PW 4/5 GR. FLT.	1,00			--
NTC	MEVR40150		PROBE NTC/150 IP65 C.1000	1,00		09/10/2022	--
NTC	MEVR40289		PROBE NTC/10K 3435 GLS.TY.	1,00	10/10/2022		--
POT S	MEVR40149		POTENTIOMETER VSH P11S1V0FLSY 5/10K LN.	1,00			--
P1,2	MEPF40060		PRESSURE SWITCH PS2 G1/4M 25BAR	2,00	04/07/2022		--
P1,2	MEPF76254		PRESSURE SWITCH PR 5 1/4M 25BAR	2,00		03/07/2022	--



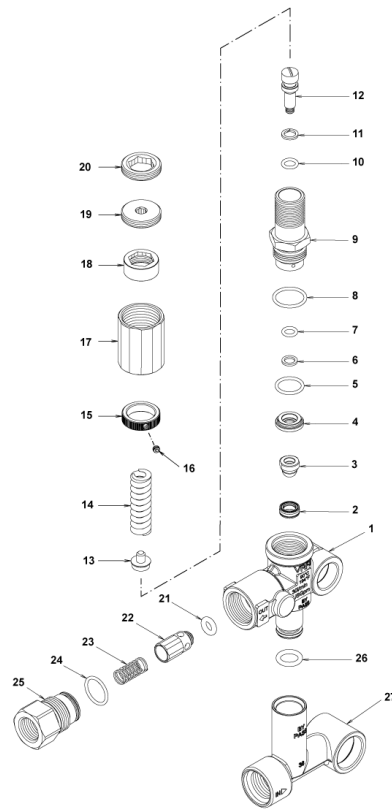
Ref. K	Part n.	Part n. 2	Description	Quantity	Validity		Price
					From	To	
0001	GUGO03502		O-RING D. 17.86 X 2.62 NBR 70SH	6,00			--
0002	PVVR40161		CAP AR RR	6,00			--
0003	S VVAM40003		VALVE UNIT RR	6,00			--
0004	S GUGO02259		O-RING D. 15.54 X 2.62 NBR 70SH	6,00			--
0005	PVVR40129		CAP 1/4 M RC	2,00			--
0006	GUGO01036		O-RING D. 10.82 X 1.78 NBR 70SH	2,00			--
0012	S GUVR40051		PACKING D. 22 RK W1	3,00			--
0013	PVVR40212		INTERMED. RING D.22 RK	3,00			--
0014	S GUVR40050		PACKING D. 22 RK W2	3,00			--
0015	PVVR40210		SPACER D. 35 RK	3,00			--
0016	S GUGO40022		OIL SEAL RK	3,00			--
0017	VTVT01118		SCREW TCEI M 8X16 ZC. UNI 5931	8,00			--
0018	MFVR40038		CRANKCASE COVER AR RK LT.	1,00			--
0019	S GUGO01053		O-RING D. 60 X 2.62 NBR 70SH	2,00			--
0020	CUVR40011		BEARING 30304 DQ	1,00			--
0021	MFVR40039		PUMP CRANKCASE AR RK	1,00			--
0022	PVVR19231		OIL CAP XTS	1,00			--
0023	VTDD00483		NUT M 8 ZIN UNI 5588	3,00			--
0024	VTRS19394		WASHER D. 8X13X0.5	3,00			--
0025	S PIVR40009		PISTON D.22X40 RK	3,00			--
0026	PVVR40218		DISC RK	3,00			--
0027	GUGO08071		O-RING D. 4.48 X 1.78 NBR 70SH	3,00			--
0028	PVVR40217		PISTON GUIDE RK	3,00			--
0029	PVVR40211		GUDGEON D. 10X25 RK	3,00			--
0030	BLVR40005		CONNECTING ROD RK	3,00			--
0031	GUVR40044		ANTI-EXTR.RING D. 5 X 8 X1	3,00			--
0032	VTRS00504		WASHER D. 8 ZC. UNI 6592	8,00			--
0034	S GUGO40023		O-RING D. 106 X 3 NBR 70SH	1,00			--
0035	MFVR40041		CRANKCASE COVER AR RK	1,00			--
0036	VTVT01114		SCREW TCEI 6X14 UNI 5931	6,00			--
0037	ALMO40017		SHAFT AR RK20.19 NC	1,00			--
0038	VTVR41531		KEY 8X 7X35 UNI 6604A	1,00			--
0039	S GUGO01245		OIL SEAL 25X 45X10-L-CM -NBR70	1,00			--
0040	PVVR40214		THICKNESS AR 0,20 mm	1,00			--
0041	MFVR40040		CRANKCASE COVER AR RK LAT. OPEN	1,00			--
0042	GUGO09720		O-RING D. 14 X 1.78 NBR 70SH	3,00			--
0043	PVVR40099		CAP 3/8 M HRM	1,00			--
0046	PVVR40099		CAP 3/8 M HRM	1,00			--
0047	GUGO19245		O-RING D. 17.5 X 2 NBR 70SH	1,00			--
0048	PVVR40121		CAP 1/2 M RC	1,00			--
0049	MFVR40042		HEAD AR RK OT.	1,00			--
0050	VTVT37530		SCREW TCEI M 8X70 UNI 5931	8,00			--
0051	S GUGO10379		O-RING D. 22 X 2 NBR 70SH	3,00			--
0052	S GUGO40024		O-RING D. 28.25 X 1.78 NBR 70SH	3,00			--



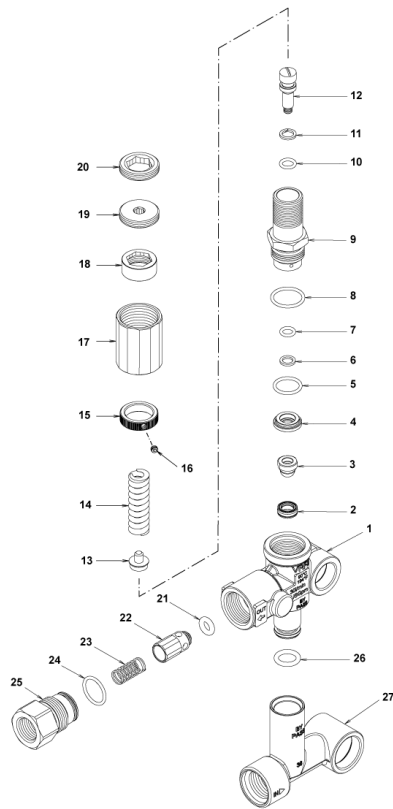
Ref. K	Part n.	Part n. 2	Description	Quantity	Validity		Price
					From	To	
0077	CUVR66788		BEARING D.25X52X16,25 30205 SKF	1,00			--
0086	PVVR19238		OIL INDICATOR XTS	1,00			--
0087	VTAE19239		SEEGER 0,5 X25,35X16,0	1,00			--
0088	PVVR40199		DISC CONTRASTO POMPA RW	1,00			--
0089	GUGO19395		O-RING D. 20.24 X 2.62 NBR 70SH	1,00			--



Ref. Part n.	Part n. 2	Description	Reference	Price
K A	KTRI40142	KIT P 15-42909 RR	0003 0004	--
K B	KTRI40166	KIT P 15-2526 D.22 RK	0025	--
K C	KTRI40167	KIT P 15-1855 RK	0016 0019 0034 0039	--
K E	KTRI40168	KIT P 15-42925 D.22 RK	0012 0014 0051 0052	--

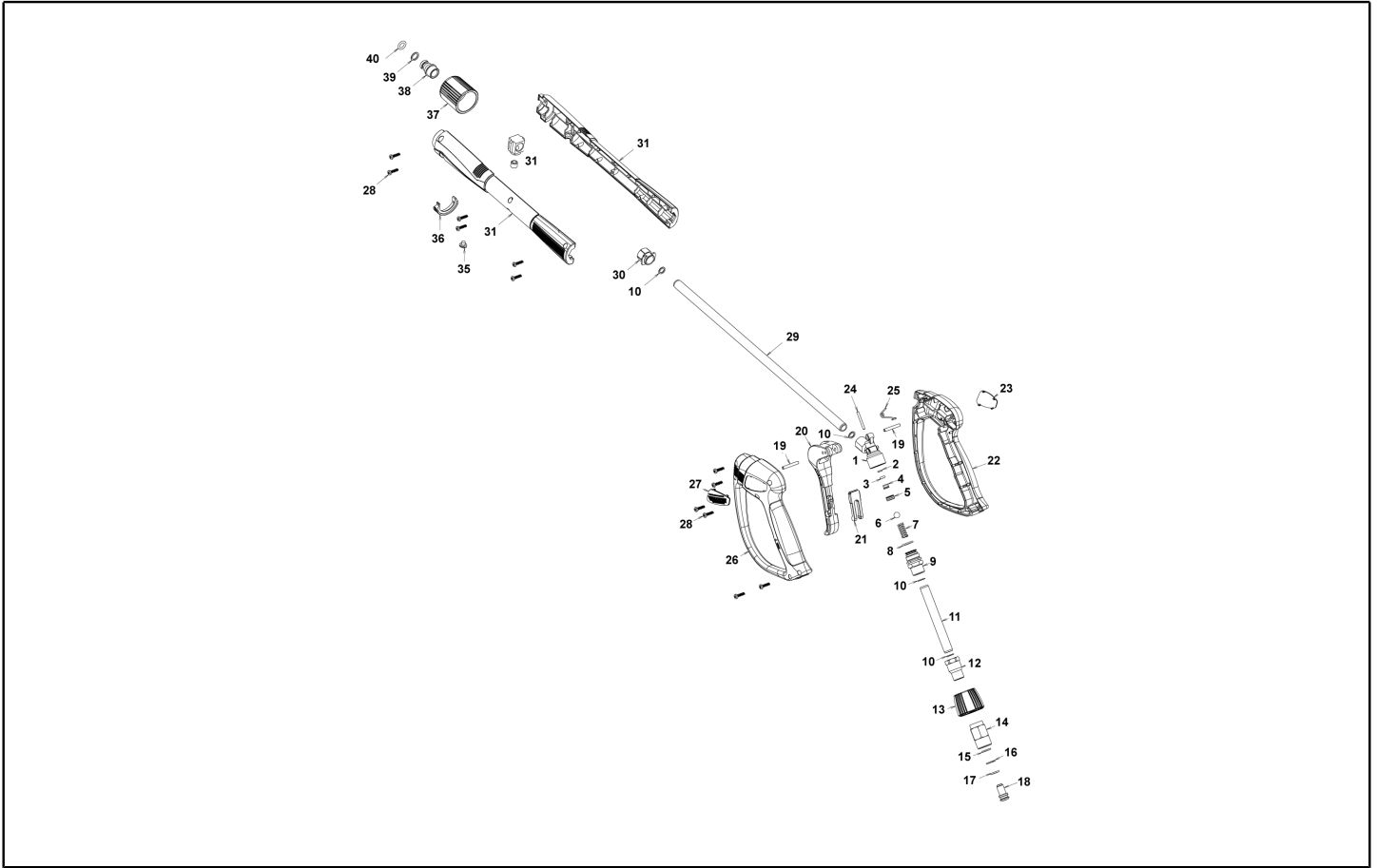


Ref. K	Part n.	Part n. 2	Description	Quantity	Validity		Price
					From	To	
0001	PVVR40362		VALVE BODY VRF2	1,00			--
0002	S	PVVR40363	VALVE SEAT MV124 +OR	1,00			--
0003	S	PVVR40364	COUPLING MV124	1,00			--
0004	S	PVVR40365	SPACER MV124	1,00			--
0005	S	GUGO12322	O-RING D. 14 X 1.78 NBR 90SH	1,00			--
0006	S	GUVR40072	ANTI-EXTR.RING D. 6.5X 9.4	1,00			--
0007	S	GUGO83861	O-RING D. 6.07 X 1.78 NBR 90SH	1,00			--
0008	S	GUGO24913	O-RING D. 17.17 X 1.78 NBR 90SH	1,00			--
0009	S	PVVR40388	CONNECTOR VRF2 RG.165 56A	1,00			--
0010	S	GUGO03500	O-RING D. 6.75 X 1.78 NBR 70SH	1,00			--
0011	S	GUVR40073	ANTI-EXTR.RING D. 7.1X10 X1.2 TBT	1,00			--
0012	S	PVVR40367	SMALL PISTON D.10 VRF2	1,00			--
0013	S	PVVR40368	SPRING PLATE MV124 25B	1,00			--
0014	S	MLML47987	SPRING D. 3.25X41.1 MV 625	1,00			--
0015	S	PVVR40369	RING NUT MV167.09	1,00			--
0016	S	VTVT89696	SCREW EI-ST 4X 4 UNI5927 ZC	1,00			--
0017	S	PVVR47989	CAP MV 625 REG.	1,00			--
0018	S	PVVR47990	RING NUT MV 625 REG.	1,00			--
0019	S	PVVR47991	REGISTER MV 625 REG.	1,00			--
0020	S	PVVR47992	CLAMP MV 625 REG.	1,00			--
0021	S	GUGO46053	O-RING D. 6 X 3 NBR 90SH	1,00			--
0022		PVVR40349	COUPLING VRT3	1,00			--
0023		MLML40026	SPRING VRT3	1,00			--
0024	S	GUGO12321	O-RING D. 15.6 X 1.78 NBR 90SH	1,00			--
0025		PVVR40350	CONNECTOR VRT3 G 3/8F	1,00			--
0026		GUGO11225	O-RING D. 10.78 X 2.62 NBR 70SH	1,00			--
0027		PVVR40373	CONNECTOR VRF2.24	1,00			--

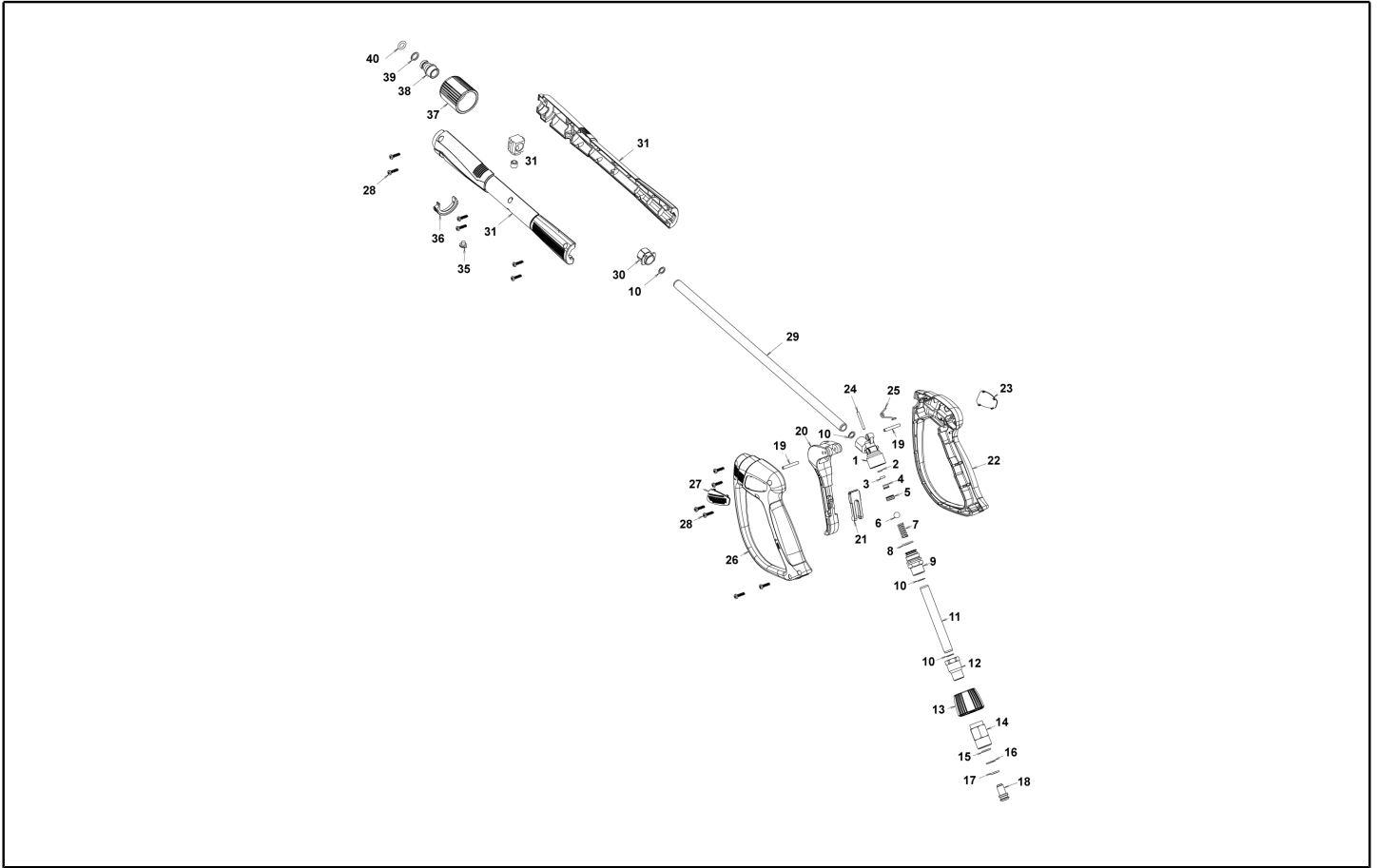


Ref. Part n.	Part n. 2	Description	Reference	Price
KTRI40256		KIT P 14-105 VRF2 Reg.	0002 0003 0004 0005 0006 0007 0008 0009 0010 0011 0012 0013 0014 0015 0016 0017 0018 0019 0020	--
KTRI40237		KIT P 14-104 SET GUARNIZIONI	0002 0003 0005 0006 0007 0008 0010 0011 0021 0024	--

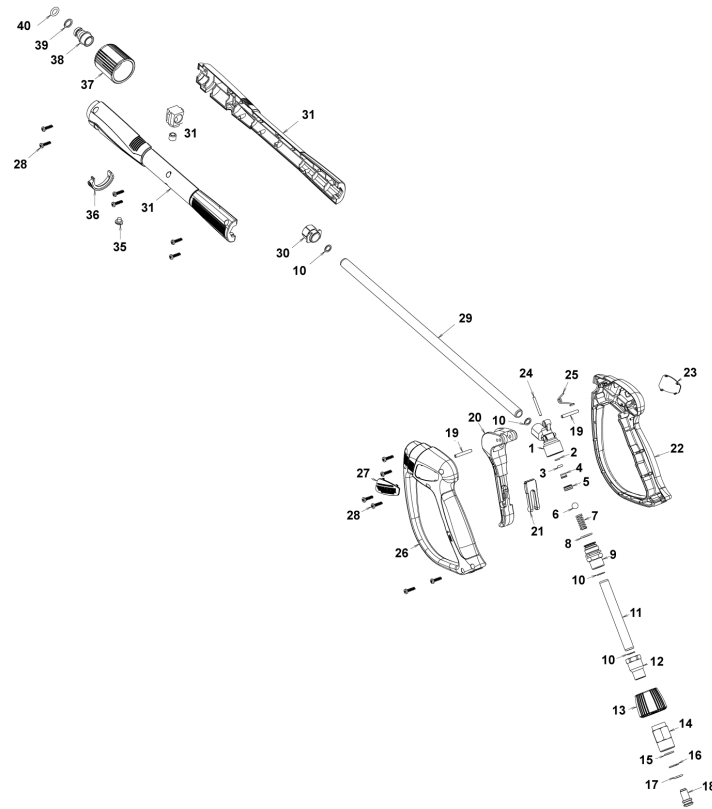




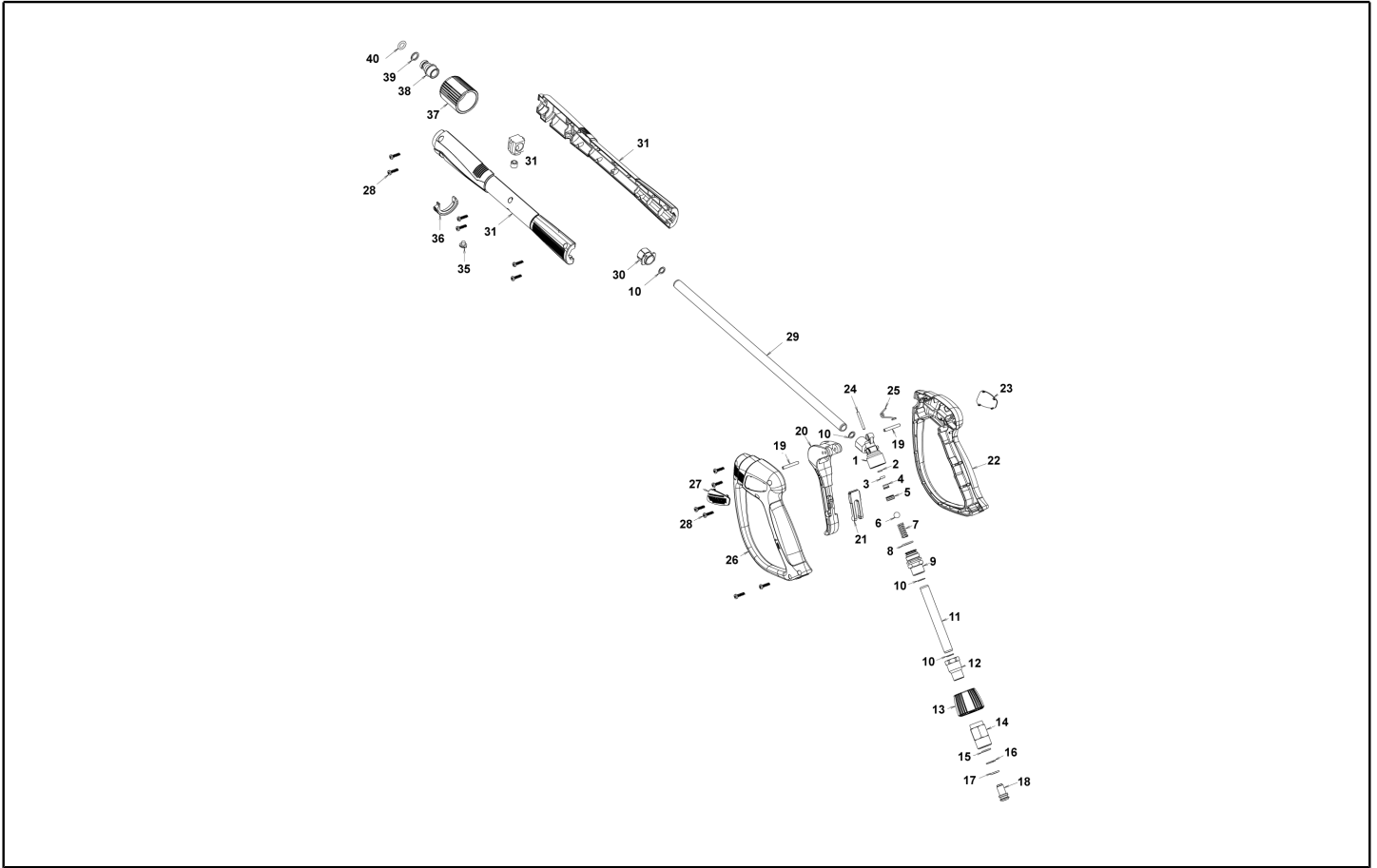
Ref. K	Part n.	Part n. 2	Description	Quantity	Validity		Price
					From	To	
0001	PVVR40381		GUN BODY G 5100 G1/4F	1,00			--
0002	S	GUVR40074	ANTI-EXTR.RING D. 3 X 7.4X1.3	1,00			--
0003	S	GUGO21835	O-RING D. 2.84 X 2.62 VIT. 80SH	1,00			--
0004		PVVR40382	PISTON GUIDE G 5100	1,00			--
0005	S	PVVR40112	BALL SEAT G 5000	1,00			--
0006	S	SFVR40002	BALL D.11/32" ALL GR16	1,00			--
0007		MLML40016	SPRING D. 9.4 x21.5x1.6 G5000	1,00			--
0008		GUGO12322	O-RING D. 14 X 1.78 NBR 90SH	1,00			--
0009		PVVR40383	CONNECTOR COLL.G5100 1/4F	1,00			--
0010		VTRS40017	WASHER D. 8.2X11,4X1.00	4,00			--
0011		PVVR40384	TUBE G 1/4" L.105	1,00			--
0012		RCIN40022	CONNECTOR SWIV G5100 1/4F	1,00			--
0013		MPVR40819	RING NUT G 5100 SW. BK.	1,00			--
0014		RCIN40021	JOINT SWIV 5100 M22	1,00			--
0015	S	GUVR40075	ANTI-EXTR.RING D. 10 X14X1.5	1,00			--
0016	S	GUVR40076	ANTI-EXTR.RING D. 11.2X14X1.2	1,00			--
0017	S	GUGO15295	O-RING D. 10.82 X 1.78 VIT 75SH	1,00			--
0018		PVVR40386	SCREW SW. G 5100	1,00			--
0019		VTVR40047	PLUG D. 4X29	2,00			--
0020		MPVR40820	TRIGGER G 6000-SW	1,00			--
0021		MPVR40821	SAFETY-DEVICE G 6000-SW	1,00			--
0022		MPVR40822	SHELL G 6000-SW DX	1,00			--
0023		MPVR40823	PLATE G 6000 GR.DX	1,00			--
0024		PVVR40387	SMALL PISTON G 5100	1,00			--
0025		MLML40029	SPRING G 5100	1,00			--
0026		MPVR40824	SHELL G 6000-SW SX	1,00			--
0027		MPVR40825	PLATE G 6000 GR.SX	1,00			--
0028		VTVT40043	SCREW AF 4X 14 HILO ZN.N	12,00			--
0029		LCPR40086	TUBE 1/4 L=420 ZC. 0°	1,00			--
0030		MPVR40493	CONNECTOR G 5100-SW	1,00			--
0031		MPVR40494	PROTECTION P 420 C/AN.	1,00			--
0035		MPVR40198	CAP G 5000	1,00			--
0036		MPVR40495	CAP G 5100 REM.	1,00			--
0037		PVVR40119	CONNECTION M22X1,5 IRV G5000	1,00			--
0038		RCIN40009	GUDGEON G 1/4 F IRV G5000	1,00			--
0039		GUVR40034	ANTI-EXTR.RING D. 10 X14	1,00			--
0040		GUGO01946	O-RING D. 9.13 X 2.62 VIT 70SH	1,00			--



Ref. Part n.	Part n. 2	Description	Reference	Price
KTRI40243		KIT P 26- 26 SWIVEL G 5100	0015 0016 0017	--
KTRI40414		KIT P 26- 34 G 6000	0002 0003 0005 0006	--



Ref. K	Part n.	Part n. 2	Description	Quantity	Validity		Price
					From	To	
0001	PVVR40381		GUN BODY G 5100 G1/4F	1,00			--
0002	S	GUVR40074	ANTI-EXTR.RING D. 3 X 7.4X1.3	1,00			--
0003	S	GUGO21835	O-RING D. 2.84 X 2.62 VIT. 80SH	1,00			--
0004		PVVR40382	PISTON GUIDE G 5100	1,00			--
0005	S	PVVR40563	BALL SEAT AL36 G6000 + OR	1,00			--
0006	S	SFVR40004	BALL D. 5/16" ALL.GR16	1,00			--
0007	S	MLML40047	SPRING D. 9.4 x23.5x1.6 G6000	1,00			--
0008		GUGO12322	O-RING D. 14 X 1.78 NBR 90SH	1,00			--
0009		PVVR40383	CONNECTOR COLL.G5100 1/4F	1,00			--
0010		VTRS40017	WASHER D. 8.2X11,4X1.00	4,00			--
0011		PVVR40384	TUBE G 1/4" L.105	1,00			--
0012		RCIN40022	CONNECTOR SWIV G5100 1/4F	1,00			--
0013		MPVR40967	RING NUT G 6000 SW. GR.	1,00			--
0014		RCIN40021	JOINT SWIV 5100 M22	1,00			--
0015	S	GUVR40075	ANTI-EXTR.RING D. 10 X14X1.5	1,00			--
0016	S	GUVR40076	ANTI-EXTR.RING D. 11.2X14X1.2	1,00			--
0017	S	GUGO15295	O-RING D. 10.82 X 1.78 VIT 75SH	1,00			--
0018		PVVR40386	SCREW SW. G 5100	1,00			--
0019		VTVR40047	PLUG D. 4X29	2,00			--
0020		MPVR40820	TRIGGER G 6000-SW	1,00			--
0021		MPVR40821	SAFETY-DEVICE G 6000-SW	1,00			--
0022		MPVR40822	SHELL G 6000-SW DX	1,00			--
0023		MPVR40968	PLATE G 6000/2 GR.DX	1,00			--
0024	S	PVVR40564	SMALL PISTON G 6000 AL36 SP.	1,00			--
0025		MLML40029	SPRING G 5100	1,00			--
0026		MPVR40824	SHELL G 6000-SW SX	1,00			--
0027		MPVR40825	PLATE G 6000 GR.SX	1,00			--
0028		VTVT40043	SCREW AF 4X 14 HILO ZN.N	12,00			--
0029		LCPR40181	TUBE 1/4 L=416 ZC. 0°	1,00			--
0030		MPVR40493	CONNECTOR G 5100-SW	1,00			--
0031		MPVR40494	PROTECTION P 420 C/AN.	1,00			--
0035		MPVR40198	CAP G 5000	1,00			--
0036		MPVR40495	CAP G 5100 REM.	1,00			--
0037		PVVR40119	CONNECTION M22X1,5 IRV G5000	1,00			--
0038		RCIN40048	GUDGEON G 1/4 F IRV G6000/2	1,00			--
0039		GUVR40034	ANTI-EXTR.RING D. 10 X14	1,00			--
0040		GUGO63555	O-RING D. 9.3 X 2,4 VIT 75SH	1,00			--



Ref. Part n.	Part n. 2	Description	Reference	Price
KTRI40243		KIT P 26- 26 SWIVEL G 5100	0015 0016 0017	--
KTRI40513		KIT P 26- 36 G 6000/II	0002 0003 0005 0006 0007 0024	--