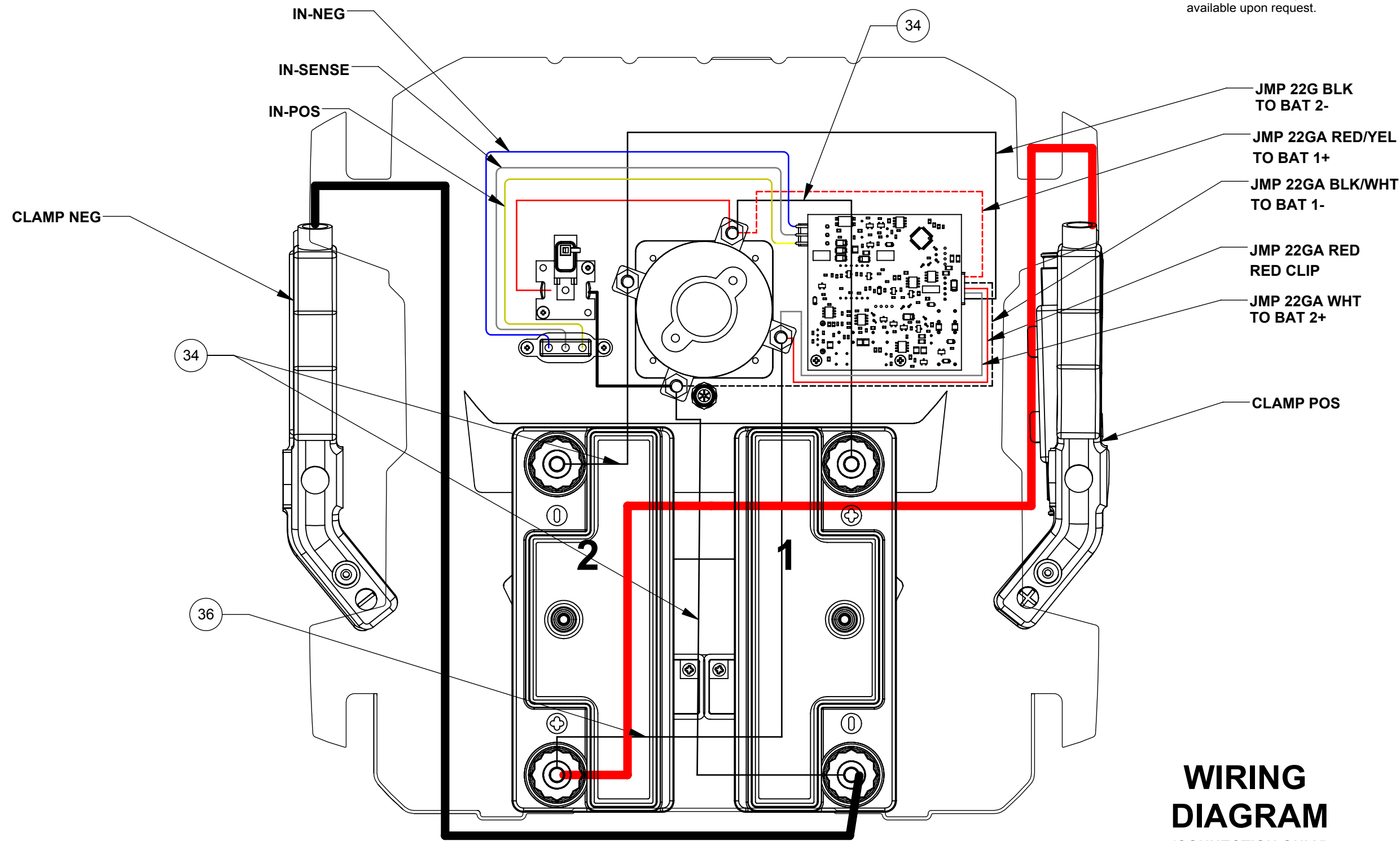


Must be RoHS 2011/65/EU compliant.
 Certification of compliance must be
 available upon request.



WIRING DIAGRAM (CONNECTION ONLY)

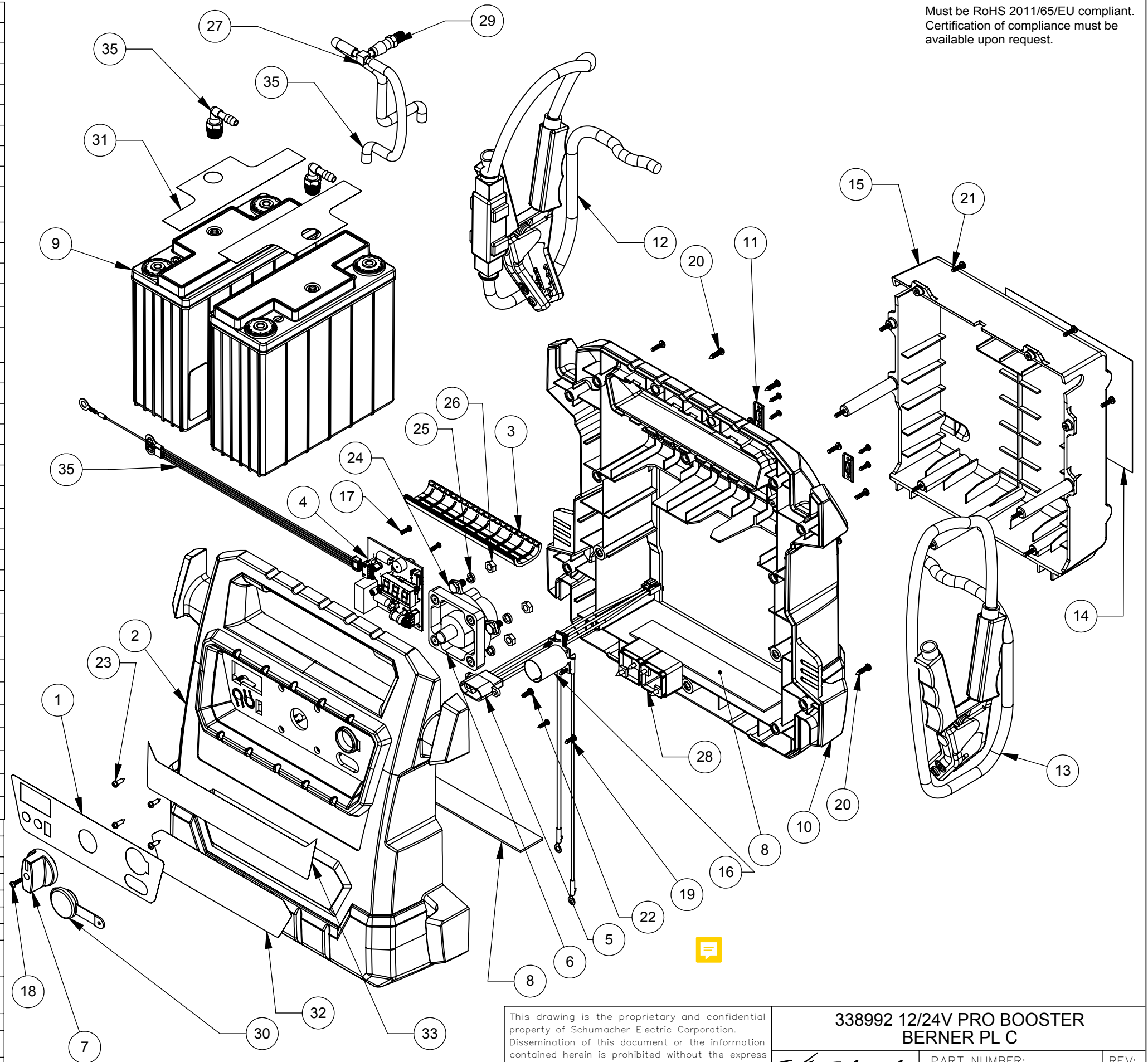
NOTES:

1. FOR DETAILED ASSEMBLY INSTRUCTIONS SEE 94065178CW1


05	—	#	—	—	DRAWN: 12/23/16	BY: JM	This drawing is the proprietary and confidential property of Schumacher Electric Corporation. Dissemination of this document or the information contained herein is prohibited without the express permission of the Director of Engineering. Use of this document by any supplier or distributor is expressly limited to the use authorized by Schumacher Electric Corporation in providing it to you.	
04	—	#	—	—	CHECKED: 12/23/16	BY: DZ		
03	—	#	—	—	APPROVED: 12/23/16	BY: RGC		
02	—	#	—	—	SCALE: 1:2	SIZE: B		
01	—	#	—	—	ALL DIMENSIONS IN INCH(MM) UNLESS OTHERWISE SPECIFIED	THIRD ANGLE PROJECTION		
00	INITIAL RELEASE	9553	12/23/16	JM	TOLERANCES .XXX ±.004[0.10] .XX ±0.01[0.3] .X ±0.1[2.5] FRACTIONAL ±1/64 ANGULAR ±5MIN		338992 12/24V PRO BOOSTER BERNER PL C	
NO.	REVISION	ECN	DATE	SIG.				PART NUMBER: 94065178C
								801 BUSINESS CENTER DRIVE MT. PROSPECT, ILLINOIS 60056 SOLIDWORKS SH 1 OF 2

Must be RoHS 2011/65/EU compliant.
 Certification of compliance must be
 available upon request.

ITEM NO.	PART NUMBER	DESCRIPTION	QTY.
1	0899009610	LABEL FACEPLATE PJI175 & 338992 BERNER	1
2	3699002315	CASE FRONT BLUE 338992 BERNER	1
3	3699002228	CASE HANDLE INSERT CJP400/550/700/850	1
4	2299003019	ASSY PCB CONTROL BD PBI0175 CS2B	1
5	3899003727	PLUG SAE STYLE 3 PIN WITH HOUSING	1
6	0499000091	SWITCH 12V/OFF/24V	1
7	4999000041	SWITCH KNOB USED IN PSJ4424 JD4424	1
8	2699000074	TAPE 180X30X2MM BLACK	2
9	5799000026	BATT 16AH 12V-HAWKER (ENERSYS) GENESIS	2
10	3699002316	CASE BACK BLUE 338992 BERNER	1
11	4999000245	STRAP STRAIN RELIEF 4GA EEJP	2
12	3899003776	CABLE W/FUSE 2GA RED 75IN CLAMP T915	1
13	3899003728	CABLE 2GA BLACK 76IN CLAMP T915	1
14	0899009611	LABEL WARNING PJI175 & 338992 BERNER	1
15	3699002317R	CASE COVER BLUE 338992 BERNER REWORK	1
16	2299002231	ASSY DC ADAPTER W/ FIBRE BOARD	1
17	5199000670	SCREW M3x10 PH PHTF TYPE B SNP	2
18	5199001122	SCREW M3x12 PH PHST SBLX	1
19	5199000416	SCREW M3x11 PH PHST SZP	6
20	5199001030	SCREW M4x16 PH PHST SZP	4
21	5199001020	SCREW M4x25 PH PHST SZP	18
22	5163203156	SCREW 6-32x0.375 PH PHST SZP	1
23	5199001081	SCREW M3.5x12 PH RHST SBLX	8
24	5199001050	SCREW M6x12 HHMS SZP	4
25	5299000020	WASHER SPRING 9.5X6.2X1.9MM	4
26	5299000022	NUT, M6.0, ZINC PLATE	4
27	0699000960	CONNECTOR BARBED T PA66 NATURAL	1
28	4999001288	SUPPORT BATTERY CJP550/700	2
29	0699000961R	FITTING PORT PA66 NATURAL (REWORKED)	1
30	4999000208	COVER DC SOCKET PVC BLACK	1
31	0899009594	LABEL BATTERY PJI175 & 338992 BERNER	2
32	0899009720	LABEL LOWER FRONT 338992 BERNER	1
33	0899009719	LABEL PRODUCT 338992 BERNER	1
34	3899002600	JMP 4GA BLK 7.5IN 913/913	3
35	6294065175C	JUMPER KIT PBI175 & 338992 BERNER	1
36	3899003677	JUMPER 2GA BLK 15IN 915/915	1
NOT SHOWN ON THIS DOCUMENT			
37	0000000144	CABLE TIE 4IN BLK TYTON CABLE #T18R	2
38	0099001785	MANUAL OWNERS BERNER MODELS	1
39	9607000769	TEST PROCEDURE PJI174/175	1
40	9614001066	SPEC TO PRINT LBL SCC & ID 338992	1
41	9499102395	PALLET 800mm x 1200mm PLASTIC EURO 2	0.083
42	3400200048	PAD 40" X 44"	0.25
43	3499103894	CARTON INDIVIDUAL PJI175 & 338992 BERNER	1
44	3499103896	CARTON INSERT TOP PJI175 & 338992 BERNER	1
45	9614001062	SPEC TO PRINT DATE S/N & EAN CODE	5
46	2299003048CZ	SPI2CS 12V CHRGR PLUG C PBI ACC BERNER	1
47	4999001308	BAG POLY CLEAR 14 X 22 IN OPEN END	1
48	0899002230	LABEL TRANSPARENT 1.250 INCH DIAMETER	1



This drawing is the proprietary and confidential property of Schumacher Electric Corporation. Dissemination of this document or the information contained herein is prohibited without the express permission of the Director of Engineering. Use of this document by any supplier or distributor is expressly limited to the use authorized by Schumacher Electric Corporation in providing it to you.

338992 12/24V PRO BOOSTER BERNER PL C	
	PART NUMBER: 94065178C
801 BUSINESS CENTER DRIVE MT. PROSPECT, ILLINOIS 60056	REV: 00
SOLIDWORKS	SH 2 OF 2