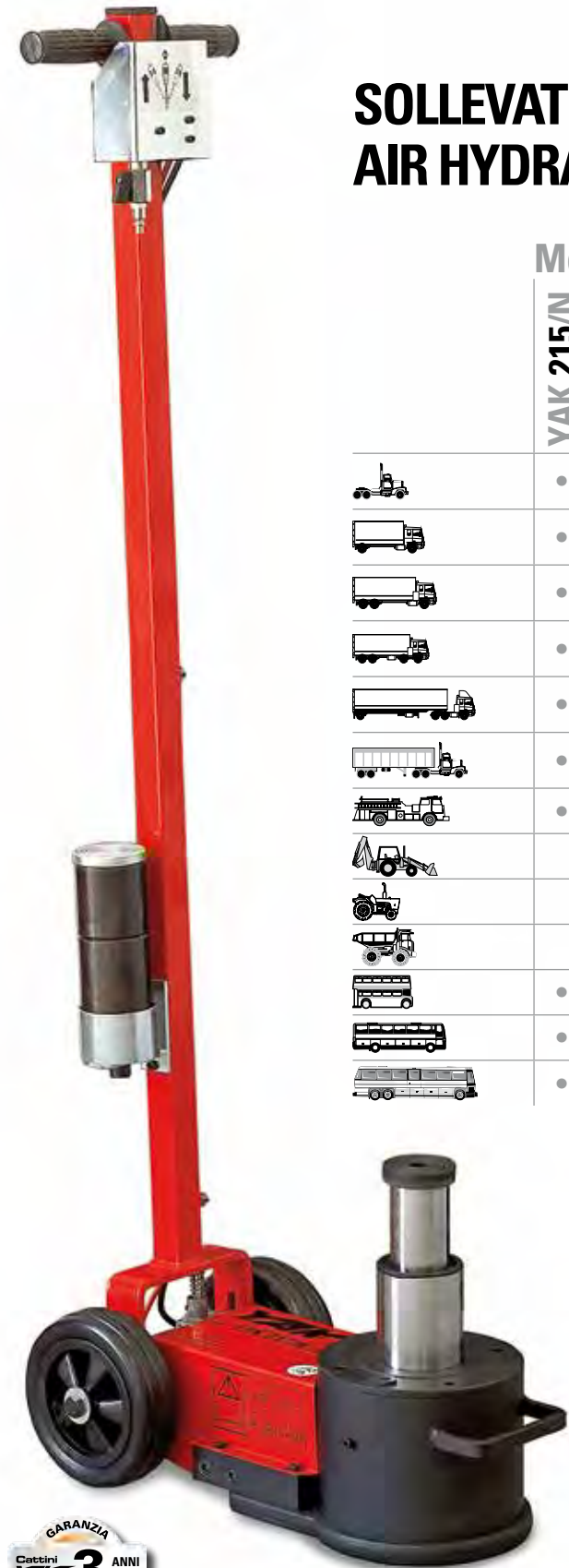


SOLLEVATORE OLEOPNEUMATICO AIR HYDRAULIC JACK



Mod.	YAK 215/N	YAK 217/N	YAK 221/N
		•	•
	•	•	•
	•	•	•
	•	•	•
	•	•	•
	•	•	•
	•	•	•
	•	•	•
	•	•	•
	•		
	•		
	•		

Sollevatore Oleopneumatico per mezzi pesanti, pratico e maneggevole. Rientro automatico dei pistoni; le due valvole di discesa garantiscono una tenuta perfetta in ogni situazione e una velocità controllata sotto carico. Ideale per officine, officine mobili, gommisti e carrozzerie.

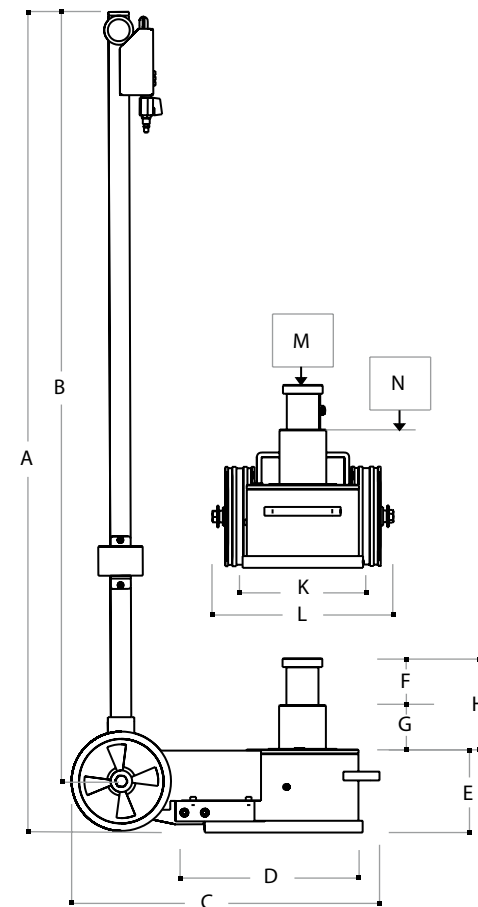
Air hydraulic jack for heavy vehicles, practical and easy to handle. The pistons move back automatically; the two descent valves guarantee perfect holding in all situations and controlled speed under load. Ideal for workshops, mobile workshops, tyre repairers and bodywork shops.

ACCESSORI DI SERIE - STANDARD ACCESSORIES

- Cod. 1x **PS1PIATT-F10001**
- 1x **PS1PROLU-F10001**
- 1x **PS1PROLU-F10002**



YAK 215/N YAK 217/N YAK 221/N



YAK 215/N YAK 217/N YAK 221/N



	YAK 215/N	YAK 217/N	YAK 221/N
Portata Capacity	40/20 t 44/22 ton	40/20 t 44/22 ton	40/20 t 44/22 ton
Peso netto Net weight	39 kg 86 lb	41 kg 90 lb	46 kg 101 lb
Pressione di alimentazione Working air pressure	8-10 bar 116-145 psi	8-10 bar 116-145 psi	8-10 bar 116-145 psi
Consumo d'aria Air waste	400 nl/min	400 nl/min	400 nl/min
A	1400 mm 55.12 in	1400 mm 55.12 in	1400 mm 55.12 in
B	1320 mm 51.97 in	1320 mm 51.97 in	1320 mm 51.97 in
C	525 mm 20.67 in	525 mm 20.67 in	525 mm 20.67 in
D	270 mm 10.73 in	270 mm 10.73 in	270 mm 10.73 in
E	150 mm 5.91 in	170 mm 6.69 in	217 mm 8.54 in
F	78 mm 3.07 in	88 mm 3.46 in	126 mm 4.96 in
G	72 mm 2.83 in	83 mm 3.27 in	124 mm 4.88 in
H	150 mm 5.91 in	171 mm 6.73 in	250 mm 9.84 in
K	206 mm 8.11 in	206 mm 8.11 in	206 mm 8.11 in
L	300 mm 11.81 in	300 mm 11.81 in	300 mm 11.81 in
M	20 t 22 ton	20 t 22 ton	20 t 22 ton
N	40 t 44 ton	40 t 44 ton	40 t 44 ton

