



HYD-XR

HYDRAULIC DRIVE



municipality



antincendio
fire fighting



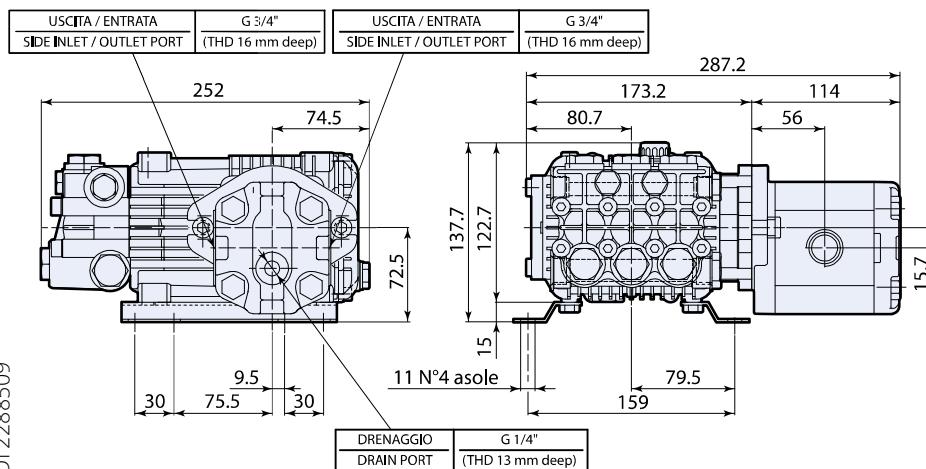
testa in
ottone
brass
head



bielle in
alluminio
connecting-rods
in aluminium



motore
idraulico
hydraulic
drive



CM 2288606
sp_30060_HYD_RK.pdf
MI 90008+91423

HYD - RK

MOD	COD	POMPA A PISTONI • HP PISTON PUMP				MOTORE IDRAULICO • HYDRAULIC MOTOR				KG NET		
		MAX l/min	MAX gpm	MAX bar	MAX psi	MAX RPM N° giri/1'	MAX RPM N° giri/1'	MAX cm ³	MAX bar		MAX l/min	MAX RPM N° giri/1'
HYD-RK												

HYD-RK 15.20	21661	15	3,96	200	2900	1450	7,5	SNM2NN/019 BN06GAM1F5F5N	4769	19,2	140	29	1450	19
--------------	--------------	----	------	-----	------	------	-----	-----------------------------	------	------	-----	----	------	----

Caratteristiche Generali

Kit pompa a pistoni per il lavaggio dell'irroratrice, a fine trattamento, prima della messa in strada. Mod. RK 15.20, valvola di regolazione Gymatic 3/B con ritorno automatico della pompa a 0 bar alla chiusura, by-pass, con iniettore detergente regolabile, manometro Ø50 mm, 16m tubo AP 5/16" DN8 200bar 100°C, pistola AR 351 con sicura, lancia con testina regolabile Reg Spray 5. Completo di motore idraulico mod. Sauer Danfoss.

General Features

Piston pump kit for washing the sprayer, at the end of treatment, before use. Model RK 15.20, Gymatic 3/B regulation valve with automatic return of pump to 0 bar upon closure, by-pass with adjustable detergent injector, Ø50 mm pressure gauge, 16m tube AP 5/16" DN8 200bar 100°C, AR 351 spray gun with safety catch, lance with Reg Spray 5 adjustable head. Complete with Sauer Danfoss model hydraulic motor.