

CE UK
CA

FAICOM[®]
ITALY

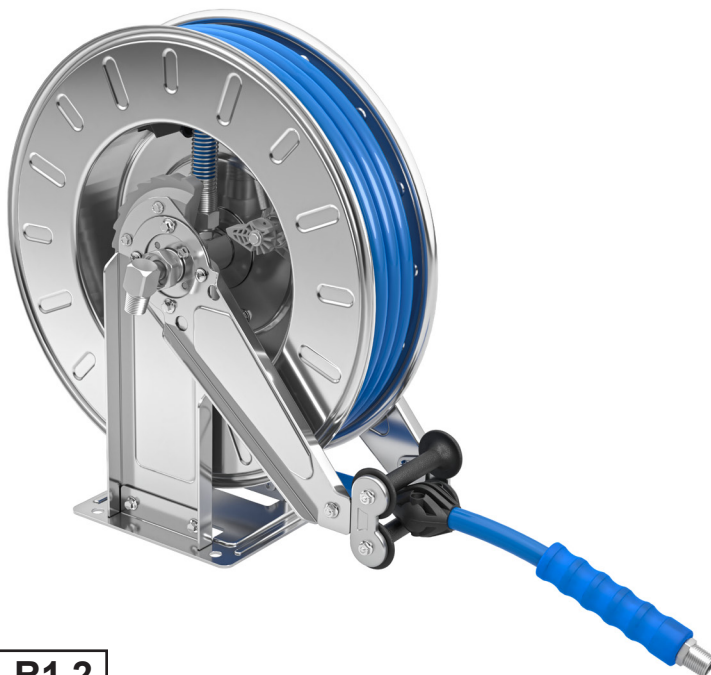
AVVOLGITUBO AUTOMATICI

ENROULEURS AUTOMATIQUES

AUTOMATIC HOSE REELS

AUTOMATISCHE SCHLAUCHAUFROLLER

MODELS: VG - VGL - VGX - VGLX - VGLTX



2025 R1.2

**MANUALE TECNICO
TECHNICAL MANUAL
MANUEL TECHNIQUE
TECHNISCHE BEDIENUNGSANLEITUNG**

..... INDICE DEGLI ARGOMENTI

1 PARTI DI RICAMBIO	page 3
2 DATI TECNICI	page 13

..... INDEX OF SUBJECT MATTERS

1 SPARE PARTS	page 3
2 TECHNICAL DATA	page 13

..... INDEX DES ARGUMENTS

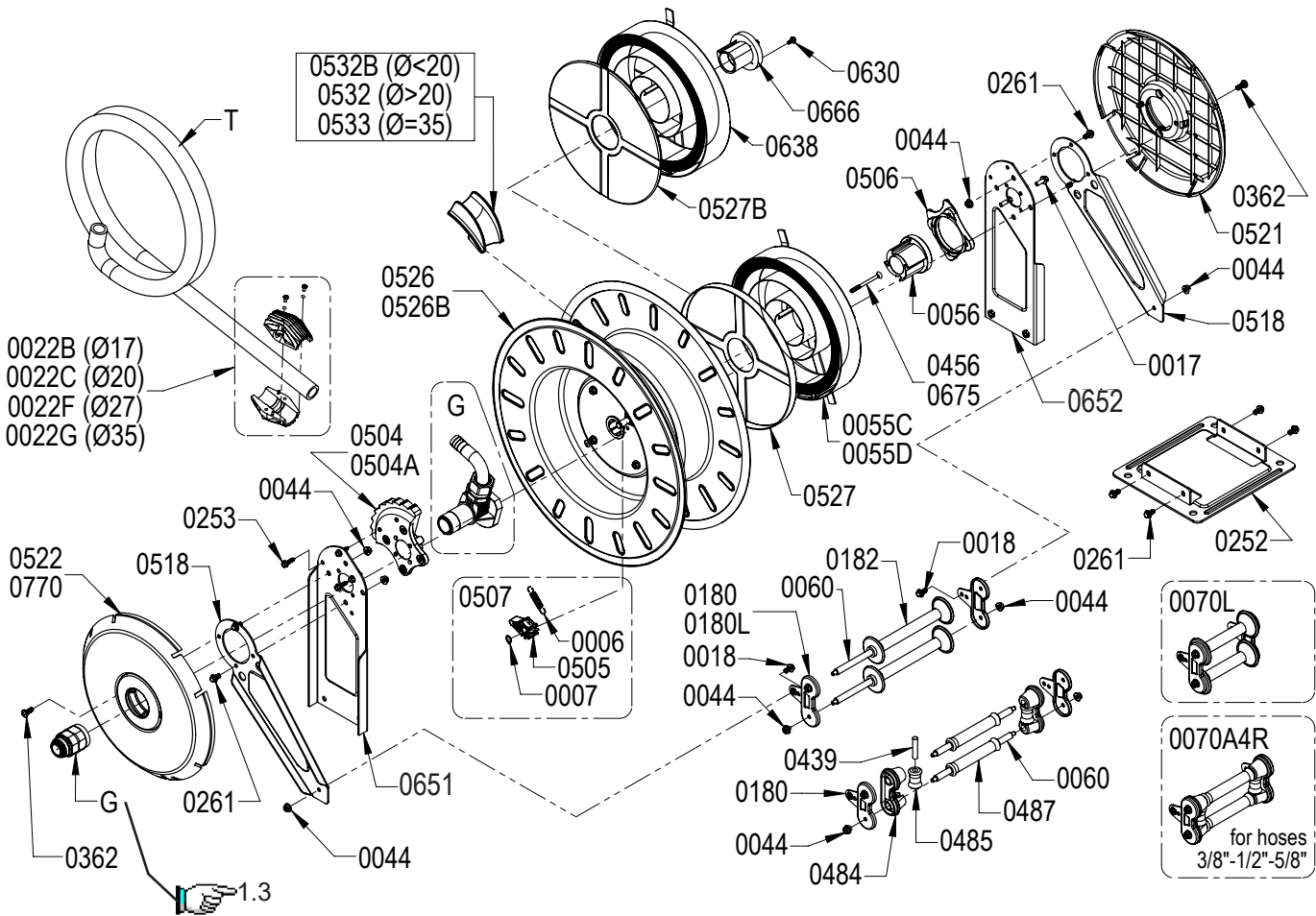
1 PIECES DETACHEES	page 3
2 FICHES TECHNIQUES	page 13

..... INHALTSVERZEICHNIS

1 ERSATZTEILE	seite 3
2 TECHNISCHE DATEN	seite 13

**1.2 PARTI DI RICAMBIO - SPARE PARTS
PIECES DETACHEES - ERSATZTEILE**

**Mod. VGL-VGLX-
VGLTX**



CODE	ITALIANO	ENGLISH	FRANCAIS	DEUTSCH
0006 (X)	MOLLA PER NOTTOLINO	SPRING FOR HOOK	RESSORT DE CLIQUET	FEDER ZU SPERRKLINKE
0007 (X)(TX)	SEEGER D. 10	SEEGER D. 10	CICLIPS D. 10	SEEGERRING D. 10
0011A1	PACCO MOLLA 15m 18 bar	SPRING 15m 18 bar	RESSORT 15m 18 bar	FEDERPAKET 15 m 18 bar
0011A3 (X)	PACCO MOLLA 15m 60 bar	SPRING 15m 60 bar	RESSORT 15m 60 bar	FEDERPAKET 15 m 60 bar
0011A4 (X)	PACCO MOLLA 20m 400 bar	SPRING 20m 400 bar	RESSORT 20m 400 bar	FEDERPAKET 20m 400 bar
0011D (X)	PACCO MOLLA 8-12m 18-60bar	SPRING 8-12m 18-60 bar	RESSORT 8-12m 18-60 bar	FEDERPAKET 8-12m 18-60 bar
0011E (X)	PACCO MOLLA 20m 18 bar	SPRING 20m 18 bar	RESSORT 20m 18 bar	FEDERPAKET 20m 18 bar
0012	MOZZO ATTACCO MOLLA	SPRING LINKAGE SHAFT	MOYEU DE RESSORT	NABE ZU FEDER
0012P (EX)	MOZZO PLASTICA VG	PLASTIC SHAFT VG	MOYEU PLASTIQUE VG	PLASTIK NABE VG
0017 (X)(TX)	VITE TE M 6x16	SCREW TE M 6x16	VIS TE M 6x16	SCHRAUBE TE M 6x16
0018 (X)	VITE TE M 6x10	SCREW TE M 6x10	VIS TE M 6x10	SCHRAUBE TE M 6x10
0022B(X)(TX)	TAMPONE D.17 (3/8")	HOSE STOPPER D.17 (3/8")	BUTEE D.17 (3/8")	SCHLAUCHSTOPPER (3/8")
0022C(X)(TX)	TAMPONE D.20 (1/2")	HOSE STOPPER D.20 (1/2")	BUTEE D.20 (1/2")	SCHLAUCHSTOPPER (1/2")
0022F(X)(TX)	TAMPONE D.27 (3/4")	HOSE STOPPER D.27 (3/4")	BUTEE D.27 (3/4")	SCHLAUCHSTOPPER (3/4")
0022G(X)(TX)	TAMPONE D.35 (1")	HOSE STOPPER D.35 (1")	BUTEE D.35 (1")	SCHLAUCHSTOPPER (1")
0044 (X)(TX)	DADO M 6	NUT M 6	ECROU M6	MUTTER M 6
0051 (X)	TIRANTE L = 123	TIE ROD L = 123	TIRANT L = 123	DISTANZBOLZEN L = 123
0055C(X)(TX)	PACCO MOLLA 15m - 18bar	SPRING 15m - 18bar	RESSORT 15m - 18bar	FEDERPAKET 15m - 18bar
0055D(X)(TX)	PACCO MOLLA 10m - 60bar	SPRING 10m - 60bar	RESSORT 10m - 60bar	FEDERPAKET 10m - 60bar
0056 (EX)	MOZZO ATTACCO MOLLA	SPRING LINKAGE SHAFT	MOYEU DE RESSORT	NABE ZU FEDER
0060 (X)(TX)	TIRANTE L = 173	TIE ROD L = 173	TIRANT L = 173	DISTANZBOLZEN L = 173
0069A (X)	SUPPORTO RULLI MOD.VG (X)	ROLLERS SUPPORT MOD.VG (X)	SUPPORT ROULEAUX MOD.VG (X)	WALZENHALTER MOD.VG (X)
0069L (X)	SUPPORTO RULLI LARGO VG (X)	ROLLERS SUPPORT WIDE VG (X)	SUPPORT ROULEAUX LARGE VG (X)	WALZENHALTER BREIT VG (X)
0069A4R	SUPPORTO 4 RULLI MOD.VG	4 ROLLERS SUPPORT MOD.VG	SUPPORT 4 ROULEAUX MOD.VG	4 WALZENHALTER MOD.VG
0069AX4R	SUPPORTO 4 RULLI MOD.VGX	4 ROLLERS SUPPORT MOD.VGX	SUPPORT 4 ROULEAUX MOD.VGX	4 WALZENHALTER MOD.VGX
0070L(X)(TX)	SUPPORTO RULLI MOD.VGL	ROLLER SUPPORT MOD. VGL	GUIDE TUYAU MOD. VGL	WALZENHALTER MOD. VGL
0070A4R	SUPPORTO 4 RULLI MOD.VGL	4 ROLLER SUPPORT MOD. VGL	GUIDE TUYAU 4 ROULEAUX VGL	4 WALZENHALTER MOD. VGL
0070AX4R	SUPPORTO 4 RULLI MOD.VGLX	4 ROLLER SUPPORT MOD. VGLX	GUIDE TUYAU 4 ROULEAUX VGLX	4 WALZENHALTER MOD. VGLX
0070L4RTX	SUPPORTO 4 RULLI MOD.VGLTX	4 ROLLER SUPPORT MOD. VGLTX	GUIDE TUYAU 4 ROULEAUX VGLTX	4 WALZENHALTER MOD. VGLTX
0180 (X)(TX)	SUPPORTO PER RULLI	ROLLERS SUPPORT	SUPPORT ROULEAUX	WALZENHALTER
0180L (X)(TX)	SUPPORTO RULLI LARGO	WIDE ROLLERS SUPPORT	SUPPORT ROULEAUX LARGE	WALZENHALTER
0181	RULLO NYLON L = 122	NYLON ROLLER L = 122	ROULEAU L = 122	KUNSTOFFVALZE L = 122
0182	RULLO NYLON L = 172	NYLON ROLLER L = 172	ROULEAU L = 172	KUNSTOFFVALZE L = 172
0251 (X)	PIASTRA MOD. VG	PLATE MOD. VG	PLAQUE MOD. VG	BUGEL MOD. VG
0252 (X)(TX)	PIASTRA MOD. VGL	PLATE MOD. VGL	PLAQUE MOD. VGL	BUGEL MOD. VGL
0253 (X)(TX)	VITE TE 6x21HILO	SCREW TE 6x21HILO	VIS TE 6x21HILO	SCHRAUBE TE 6x21HILO
0261 (X)(TX)	VITE TE M 6x12	SCREW TE M 6x12	VIS TE M 6x12	SCHRAUBE TE M 6x12
0362 (X)(TX)	VITE TC M 6x16	SCREW TC M 6x16	VIS TC M 6x16	SCHRAUBE TC M 6x16

CODE	ITALIANO	ENGLISH	FRANCAIS	DEUTSCH
0439	PERNO D.8 L = 39 mm	PIN D.8 L = 39 mm	PIVOT D.8 L = 39 mm	ZAPFEN D.8 L = 39 mm
0456	VITE TSP 6x66 TORX	SCREW TSP 6x66 TORX	VIS TSP 6x66 TORX	SCHRAUBE TSP 6x66 TORX
0475	VITE TSP 6x34 TORX	SCREW TSP 6x34 TORX	VIS TSP 6x34 TORX	SCHRAUBE TSP 6x34 TORX
0484	SUPPORTO PER RULLI	ROLLERS SUPPORT	SUPPORT ROULEAUX	WALZENHALTER
0485	RULLO D.18 L = 32	ROLLER D.18 L = 32	ROULEAU D.18 L = 32	KUNSTOFFVALZE D.18 L = 32
0486	RULLO D.18 L = 60	ROLLER D.18 L = 60	ROULEAU D.18 L = 60	KUNSTOFFVALZE D.18 L = 60
0487	RULLO D.18 L = 110	ROLLER D.18 L = 110	ROULEAU D.18 L = 110	KUNSTOFFVALZE D.18 L = 110
0504 (EX)	CORONA DENTATA D.32mm	RACHET PLATE WHEEL D.32	COURONNE DENTEE D.32mm	ZAHNRAD D.32mm
0504A (EX)	CORONA DENTATA D.34mm	RACHET PLATE WHEEL D.34	COURONNE DENTEE D.34mm	ZAHNRAD D.34mm
0505 (EX)	NOTTOLINO	RATCHET HOOK	CLIQUET	SPERRKLINKE
0506	COLLARE	COLLAR	COLLIER	KRAGEN
0507 (X)(TX)(EX)	KIT NOTTOLINO	RATCHET HOOK KIT	KIT CLIQUET	KIT SPERRKLINKE
0518 (X)(TX)	BRACCIO VG-VGL	ARM VG-VGL	BRAS VG-VGL	ARM VG-VGL
0521	CARTER LATO MOLLA	SPRING SIDE COVER	COUVERCLE FLANC RESSORT	ABDECKUNG FEDER SEITENWAND
0522	CARTER LATO GIUNTO (MOD. 3/4"-1")	SWIVEL SIDE COVER (MOD.3/4"-1")	COUVERCLE FLANC RACCORD (3/4"-1")	PLASTICABDECKUNG (MOD. 3/4"-1")
0526(X)(TX) (EX)	TAMBURO PER MOLLA 40mm	WINDER DRUM SPRING 40mm	TAMBOUR RESSORT 40mm	SCHLAUCHTROMMEL FEDER 40mm
0526B(X)(TX)(EX)	TAMBURO PER MOLLA 50mm	WINDER DRUM SPRING 50mm	TAMBOUR RESSORT 50mm	SCHLAUCHTROMMEL FEDER 50mm
0527	DISTANZIALE H=15mm	SPACER H=15mm	ENTRETOISE H=15mm	DISTANZSTUCK H=15mm
0527B	DISTANZIALE H=8mm	SPACER H=8mm	ENTRETOISE H=8mm	DISTANZSTUCK H=8mm
0532	CURVA GUIDATUBO D.27	HOSE GUIDE CURVE D.27	COURBE GUIDE TUYAU D.27	KURVE SCHLAUCHFUHRUNG D.27
0532B	CURVA GUIDATUBO D.<20	HOSE GUIDE CURVE D.<20	COURBE GUIDE TUYAU D.<20	KURVE SCHLAUCHFUHRUNG D.<20
0533	CURVA GUIDATUBO D.35	HOSE GUIDE CURVE D.35	COURBE GUIDE TUYAU D.35	KURVE SCHLAUCHFUHRUNG D.35
0544 (X)(EX)	TAMBURO AVVOLGITORE	WINDER DRUM	TAMBOUR	SCHLAUCHTROMMEL
0630 (X)(TX)	VITE TE FR 5x11	SCREW TE FR 5x11	VIS TE FR 5x11	SCHRAUBE TE FR 5x11
0638 (X)(TX)	PACCO MOLLA PER TUBO 20-25m	SPRING FOR HOSE 20-25 m	RESSORT POUR TUYAU 20-25m	FEDERPAKET SCHLAUCH 20-25m
0651 (X)(TX)	FIANCATA LATO GIUNTO	SWIVEL JOINT BODY SIDE	FLANC COTE' JOINT TOURNANT	SEITENWAND VERSCHRAUBUNGSEITE
0652 (X)(TX)	FIANCATA LATO MOLLA	SPRING BODY SIDE	FLANC COTE' RESSORT	SEITENWAND FEDER SEITE
0666 (EX)	MOZZO PLASTICA VGL	PLASTIC SHAFT VGL	MOYEU PLASTIQUE VGL	PLASTIK NABE VGL
0674 (X)	VITE TS M6x30 TORX	SCREW TS 6x30 TORX	VIS TS 6x30 TORX	SCHRAUBE TS 6x30 TORX
0675 (X)	VITE TS M6x60 TORX	SCREW TS 6x60 TORX	VIS TS 6x60 TORX	SCHRAUBE TS 6x60 TORX
0770	CARTER LATO GIUNTO (MOD. <=1/2")	SWIVEL SIDE COVER (<=1/2")	COUVERCLE FLANC RACCORD (<=1/2")	PLASTICABDECKUNG <=1/2"

Per ordinare i pezzi di ricambio di un modello inox o ATEX aggiungere al codice la lettera "X"/"TX" per inox 304/316 e "EX" per ATEX come indicato fra parentesi.

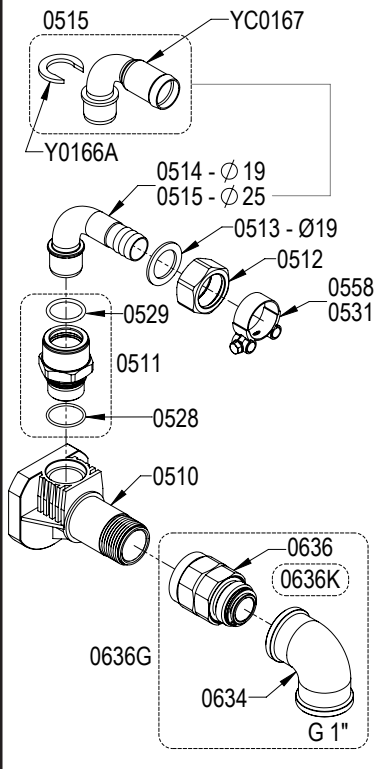
To order the spare parts for a stainless steel or ATEX model, please add to the code the letter "X"/"TX" or "EX" as indicated between brackets.

Pour commander les pièces détachées d'un modèle en acier inox ou ATEX, veuillez ajouter la lettre "X"/"TX" ou "EX" comme indiqué entre parenthèses.

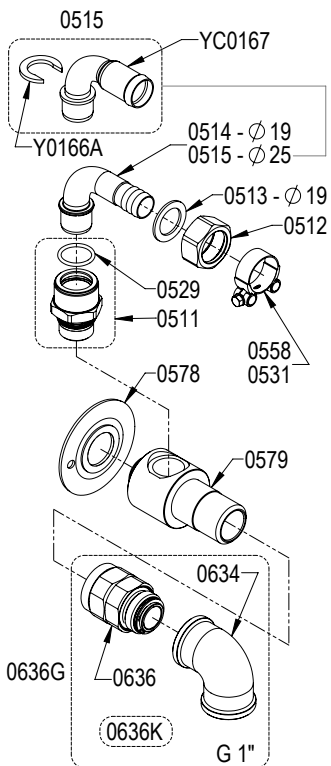
Fur die Bestellungen der Ersatzteile der Edelstahl-Modelle oder ATEX bitte der Art. - Nr. die Buchstabe "X"/"TX" oder "EX" - in Klammern gesetzt - hinzufügen.

PARTI DI RICAMBIO GIUNTI GIREVOLI
SWIVEL JOINTS SPARE PARTS
PIECES DETACHEES RACCORDS TOURNANTS
DREHGELENKE ERSATZTEILE

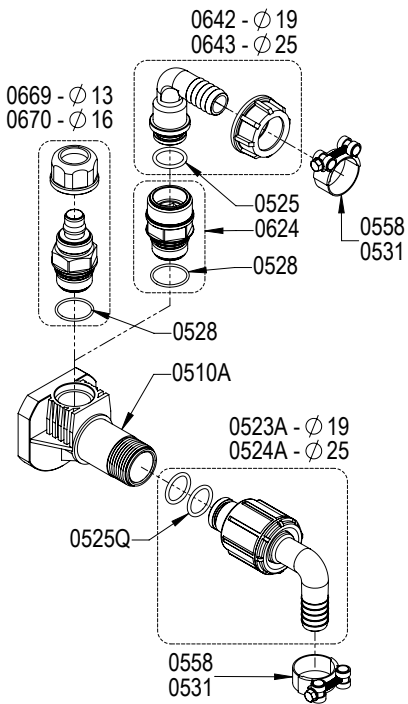
(A) < 10 Bar
 Gasolio - Diesel



(A1) < 10 Bar
 Gasolio - Diesel
 Mozzo acciaio - Steel shaft



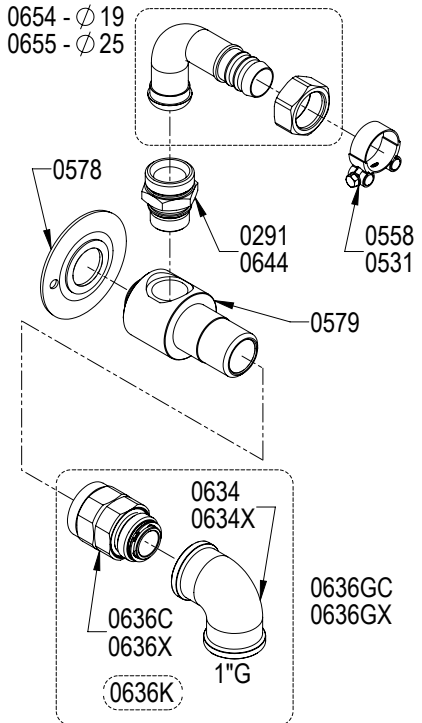
(B) < 20 Bar
 Urea
 Acqua - Water - Eau -
 Wasser (40°C Max.)



D

< 20 Bar

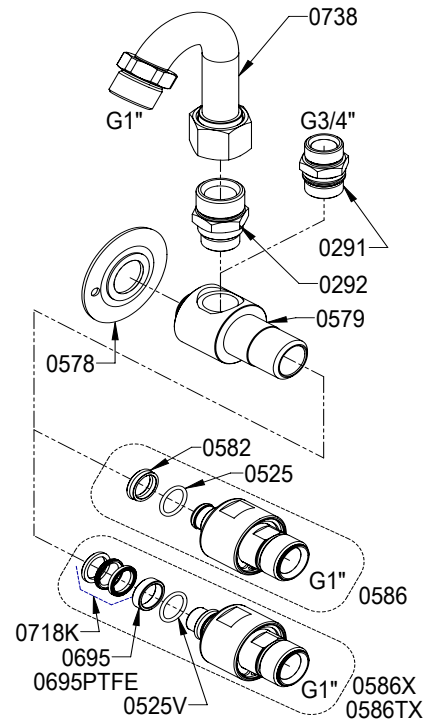
Aria - Air - Air - Luft
Acqua - Water - Eau -
Wasser (100°C Max.)
Benzina - Petrol
Essence - Benzin



E

< 60 Bar

Olio - Oil - Huile - Oel



CODE ITALIANO

0024BX(TX) VITE DOPPIA 3/8" INOX
 0024BZ VITE DOPPIA 3/8" ZINCATA
 0024CX VITE DOPPIA 1/2" INOX
 0024CZ VITE DOPPIA 1/2" ZINCATA
 0291Z VITE DOPPIA 3/4"G ZINCATA
 0291X VITE DOPPIA 3/4"G INOX
 0292 (TX).. VITE DOPPIA 3/4"-1"G
 0510 MOZZO PLASTICA NERO
 0510A MOZZO PLASTICA
 0511 VITE DOPPIA M34x1-M.3/4"G
 0512 GHIERA M34x1
 0513 RONDELLA D. 21x32,5 D.19 mm
 0514 CURVA 90° D.19mm
 0515 CURVA 90°D.25mm+RONDELLA
 0523A GIUNTO GIREVOLE D.19
 0524A GIUNTO GIREVOLE D.25
 0525 OR 3081 (20,24 x 2,62)
 0525Q QUAD-RING 20,30 x 2,62
 0525V OR 3081 (20,24 x 2,62) VITON
 0528 OR 2100 (25,12 x 1,78)
 0529 OR 3093 (23,47 x 2,62)

ENGLISH

S.S. DOUBLE SCREW 3/8"
 GALVANISED DOUBLE SCREW 3/8"
 S.S. DOUBLE SCREW 1/2"
 GALVANISED DOUBLE SCREW 1/2"
 GALVANISED DOUBLE SCREW 3/4"G
 S.S. DOUBLE SCREW 3/4"G
 DOUBLE SCREW 3/4"-1"G
 BLACK PLASTIC SHAFT
 PLASTIC SHAFT
 DOUBLE SCREW M34x1-M.3/4"G
 RING M34x1
 WASHER D. 21x32,5 D.19 mm
 CURVE 90° D. 19 mm
 CURVE 90° D. 25 mm+WASHER
 SWIVEL JOINT D.19
 SWIVEL JOINT D.25
 OR 3081 (20,24 x 2,62)
 QUAD-RING 20,30 x 2,62
 OR 3081 (20,24 x 2,62) VITON
 OR 2100 (25,12 x 1,78)
 OR 3093 (23,47 x 2,62)

FRANCAIS

MAMELON DOUBLE 3/8" INOX
 MAMELON DOUBLE 3/8" ZINGUE'
 MAMELON DOUBLE 1/2" INOX
 MAMELON DOUBLE 1/2" ZINGUE'
 MAMELON DOUBLE 3/4"G ZINGUE'
 MAMELON DOUBLE 3/4"G INOX
 MAMELON DOUBLE 3/4"-1"G
 MOYEU NOIR PLASTIQUE
 MOYEU PLASTIQUE
 MAMELON DOUBLE M34x1-M.3/4"G
 EMBOUT M34x1
 RONDELLE D. 21x32,5 D.19 mm
 COURBE 90° D. 19 mm
 COURBE 90° D. 25 mm+RONDELLE
 RACCORD TOURNANT D.19
 RACCORD TOURNANT D.25
 OR 3081 (20,24 x 2,62)
 QUAD-RING 20,30 x 2,62
 OR 3081 (20,24 x 2,62) VITON
 OR 2100 (25,12 x 1,78)
 OR 3093 (23,47 x 2,62)

DEUTSCH

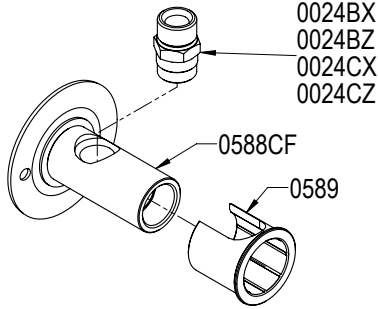
DOPPELNIPPEL 3/8" EDELSTAHL
 DOPPELNIPPEL 3/8" VERZINKT
 DOPPELNIPPEL 1/2" EDELSTAHL
 DOPPELNIPPEL 1/2" VERZINKT
 DOPPELNIPPEL 3/4"G VERZINKT
 DOPPELNIPPEL 3/4"G EDELSTAHL
 DOPPELNIPPEL 3/4"-1"G
 PLASTIK NABE SCHWARZ
 PLASTIK NABE
 DOPPELNIPPEL M34x1-M.3/4"G
 ZWINGE M34x1
 EISENSCHEIBE D. 21x32,5 D.19 mm
 KURVE 90° D. 19 mm
 KURVE 90° D. 25 mm+ EISENSCHEIBE
 DREHGELENK D.19
 DREHGELENK D.25
 OR 3081 (20,24 x 2,62)
 QUAD-RING 20,30 x 2,62
 OR 3081 (20,24 x 2,62) VITON
 OR 2100 (25,12 x 1,78)
 OR 3093 (23,47 x 2,62)

CODE	ITALIANO	ENGLISH	FRANCAIS	DEUTSCH
0531.....	FASCETTA D. 34-37 mm	CLAMP D. 34-37 mm	COLLIER D. 34-37 mm	BANDCHEN D. 34-37 mm
0558.....	FASCETTA D. 27-29 mm	CLAMP D. 27-29 mm	COLLIER D. 27-29 mm	BANDCHEN D. 27-29 mm
0578 (X)(TX)	RONDELLA D. 80x28.5x2.5	WASHER D. 80x28.5x2.5	RONDELLE D. 80x28.5x2.5	EISENSCHEIBE D. 80x28.5x2.5
0579 (X)(TX)	MOZZO ACCIAIO M.1" G.	STEEL SHAFT M.1" G.	MOYEU ACIER M.1" G.	STAHL NABE M.1" G.
0582.....	GUARNIZIONE UP 19 25 6	SEAL UP 19 25 6	JOINT UP 19 25 6	DICHTUNG UP 19 25 6
0586 (X)(TX)	GIUNTO ACCIAIO M.1" G.	STEEL JOINT M.1" G.	RACCORD ACIER M.1" G.	STAHL DREHGELENK M.1" G.
0588CF (X)(TX)	MOZZO CON FLANGIA D.32	SHAFT D.32 WITH FLANGE	AXE D.32 AVEC FLASQUE	STAHL NABE D.32 MIT FLANSCH
0589.....	BOCCOLA NYLON D.32	NYLON BUSH D.32	BAGUE NYLON D.32	NYLONBUCHSE D.32
0624.....	VITE DOPPIA 3/4" G. - 1" G.	DOUBLE SCREW 3/4" G. - 1" G.	MAMELON DOUBLE 3/4" G. - 1" G.	DOPPELNIPPEL 3/4" G. - 1" G.
0634.....	GOMITO OTTONE F.1" G.	BRASS ELBOW 90° F.1" G.	COUDE LAITON 90° F.F. 1" G.	MESSING WINKEL 90° F.1" G.
0634X	GOMITO INOX F.1" G.	S.S. ELBOW 90° F.1" G.	COUDE INOX 90° F.1" G.	EDELSTAHL WINKEL 90° F.1" G.
0636.....	GIUNTO OTTONE M.F.1" G.	BRASS JOINT M.F.1" G.	RACCORD LAITON M.F.1" G.	MESSING DREHGELENK M.F.1" G.
0636G.....	GIUNTO + GOMITO OTTONE	BRASS SWIVEL JOINT + ELBOW	RACCORD TOURNANT + COUDE	MESSING VERGHEAUBUNG + WINKEL
0636C.....	GIUNTO OTTONE/INOX M.F.1" G.	BRASS/S.S. JOINT M.F.1" G.	RACCORD LAITON/INOX M.F.1" G.	DREHGELENK MESSING/EDELSTAHL M.F.1" G.
0636GC ...	GIUNTO OTTONE/INOX+GOMITO	BRASS/S.S. JOINT + ELBOW	RACCORD LAITON/INOX + COUDE	DREHGELENK MESSING/EDELSTAHL+WINKEL
0636X ...	GIUNTO GIREVOLE INOX M.F.1" G.	S.S. JOINT M.F.1" G.	RACCORD INOX M.F.1" G.	EDELSTAHL DREHGELENK M.F.1" G.
0636GX	GIUNTO + GOMITO INOX 1" G.	S.S. JOINT 1" G. + ELBOW	RACCORD INOX 1" G. + COUDE	EDELSTAHL DREHGELENK 1" G. + WINKEL
0636K	KIT GUARNIZIONI GIUNTO 1" G.	KIT JOINT SEALS 1" G.	KIT JOINTS RACCORD 1" G.	DREHGELENK DICHTUNGSSATZ 1" G.
0642.....	CURVA PLASTICA D.19 + GHIERA	PLASTIC CURVE D.19 + RING	COURBE PLASTIQUE D.19 + EMBOUT	PLASTIK KURVE D.19 + ZWINGE
0643.....	CURVA PLASTICA D.25 + GHIERA	PLASTIC CURVE D.25 + RING	COURBE PLASTIQUE D.25 + EMBOUT	PLASTIK KURVE D.25 + ZWINGE
0644.....	VITE DOPPIA 3/4" G. - 1" G.	DOUBLE SCREW 3/4" G. - 1" G.	MAMELON DOUBLE 3/4" G. - 1" G.	DOPPELNIPPEL 3/4" G. - 1" G.
0654.....	CURVA OTTONE D.19 + GHIERA	BRASS CURVE D.19 + RING	COURBE LAITON D.19 + EMBOUT	MESSING KURVE D.19 + ZWINGE
0654TP	CURVA D.19 + GHIERA (VGLX)	CURVE D.19 + RING (MOD. VGLX)	COURBE D.19 + EMBOUT (MOD. VGLX)	KURVE D.19 + ZWINGE (MOD. VGLX)
0655.....	CURVA OTTONE D.25 + GHIERA	BRASS CURVE D.25 + RING	COURBE LAITON D.25 + EMBOUT	MESSING KURVE D.25 + ZWINGE
0655TP	CURVA D.25 + GHIERA (VGLX)	CURVE D.25 + RING (MOD. VGLX)	COURBE D.25 + EMBOUT (MOD. VGLX)	KURVE D.25 + ZWINGE (MOD. VGLX)
0669.....	RACC. PLASTICA TUBO D.13	PLASTIC FITTING HOSE D.13	RACCORD PLASTIQUE TUYAU D.13	KUNSTSTOFF SCHLAUCH D.13
0670.....	RACC. PLASTICA TUBO D.16	PLASTIC FITTING HOSE D.16	RACCORD PLASTIQUE TUYAU D.16	KUNSTSTOFF SCHLAUCH D.16
0695.....	BOCCOLA D.25x20 L=7 OTTONE	BUSH D.25x20 L=7 BRASS	BOUCLE D.25x20 L=7 LAITON	BUCHSE D.25x20 L=7 MESSING
0695PTFE	BOCCOLA D.25x20 L=7 PTFE	BUSH D.25x20 L=7 PTFE	BOUCLE D.25x20 L=7 PTFE	BUCHSE D.25x20 L=7 PTFE
0718K	KIT GUARNIZIONI	KIT OF SPARE SEALS	KIT JOINTS DE RECHANGE	ERSATZDICHTUNGEN
0738(X)....	CURVA 140° M.F. GIREVOLE 1" G.	CURVE 140° M.F. REVOLVING 1" G.	COURBE 140° M.F. PIVOTANTE 1" G.	KURVE 140° M.F. DREH 1" G.
Y0166A.....	RONDELLA SAGOMATA	SHAPED WASHER	RONDELLE EN FORME	FÖRMIGE SCHEIBE
YC0167.....	CURVA 90° D. 25 mm	CURVE 90° D. 25 mm	COURBE 90° D. 25 mm	KURVE 90° D. 25 mm

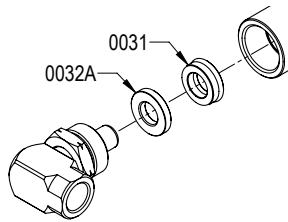
Per ordinare i pezzi di ricambio di un modello inox o ATEX aggiungere al codice la lettera "X"/"TX" per inox 304/316 e "EX" per ATEX come indicato fra parentesi.
 To order the spare parts for a stainless steel or ATEX model, please add to the code the letter "X"/"TX" or "EX" as indicated between brackets.
 Pour commander les pièces détachées d'un modèle en acier inox ou ATEX, veuillez ajouter la lettre "X"/"TX" ou "EX" comme indiqué entre parenthèses.
 Fur die Bestellungen der Ersatzteile der Edelstahl-Modelle oder ATEX bitte der Art. - Nr. die Buchstabe "X"/"TX" oder "EX" - in Klammern gesetzt - hinzufügen.

F

60 Bar
400 Bar



0065A



0066A

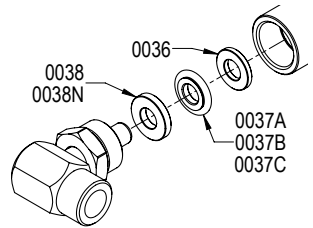
0066A1

0066B

0066BX

0066C

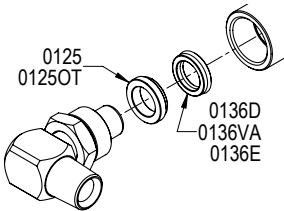
0066CX



0065D

0065VAX

0065EX



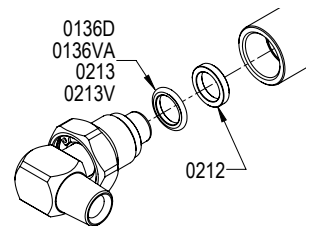
0238PU

0238VAX

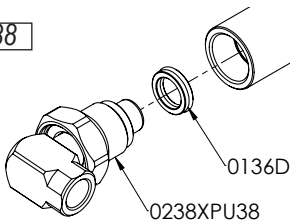
0238X

0238XV

0238TX



0238XPU38

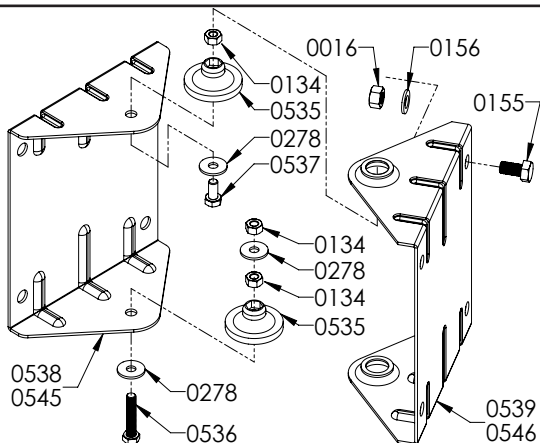


CODICE CODE	FLUIDO FLUID	MAX. PRESSIONE MAX. PRESSURE	ENTRATA INLET	COMPONENTI COMPONENTS
0065A	ARIA / AIR	60 bar	F. 3/8" Bsp	0032A + 0031 (PU)
0065D	ACQUA / WATER 40°C OLIO / OIL		M. 1/2" Bsp	0125 + 0136D (PU)
0065VAX	ACQUA POTABILE / DRINKING WATER			0125OT + 0136VA (VITON)
0065EX	ANTIGELO / ANTI-FREEZE LIQUIDO LAVAVETRI / WINDSHIELD		0125OT + 0136E (EPDM)	
0066A	GRASSO / GREASE	400 bar	F. 1/4" Bsp	0036 + 0037A (NBR-PTFE) + 0038
0066A1			F. 3/8" Bsp	0036 + 0037B (SIL-PTFE) + 0038
0066B	ACQUA / WATER 150°C			0036 + 0037B (SIL-PTFE) + 0038N
0066BX	ACQUA / WATER 150°C		0036 + 0037C (VITON-PTFE) + 0038	
0066C	ACQUA / WATER 150°C	150 bar	M. 1/2" Bsp	0036 + 0037C (VITON-PTFE) + 0038N
0066CX	VERNICE / PAINT ACQUA / WATER 150°C			0036 + 0037C (VITON-PTFE) + 0038N
0238PU	OLIO / OIL			0136D (PU)
0238VAX	ACQUA / WATER 100°C			0136VA (VITON)
0238X	ACQUA / WATER 150°C	60 bar	M. 1/2" Bsp	0212 + 0213 (SIL-PTFE)
0238XV				400 bar
0238TX (AISI 316)		400 bar		0212 + 0213V (VITON-PTFE)
0238XPU38		OSSIGENO / OXYGEN IDROGENO / HYDROGEN		20 bar

SUPPORTI GIREVOLI
REVOLVING STANDS
SUPPORTS PIVOTANTS
SCHWENKBARE HALTERUNGEN

Per modello Codice
For model Code
Für Modell Art. Nr.
Pour modele Code

VG ASG15R
VGL ALSG20R
VGX (Inox) AXSG15R
VGLX (Inox) ALXSG20R
VGLTX (Inox) ALTSG20R



Per ordinare i pezzi di ricambio di un modello inox aggiungere al codice la lettera "X"/"TX" per inox 304/316 come indicato fra parentesi.





To order the spare parts for a stainless steel model, please add to the code the letter "X"/"TX" as indicated between brackets.

Pour commander les pièces détachées d'un modèle en acier inox, veuillez ajouter la lettre "X"/"TX" comme indiqué entre parenthèses.





Für die Bestellungen der Ersatzteile der Edelstahl-Modelle bitte der Art. - Nr. die Buchstabe "X"/"TX" in Klammern gesetzt - hinzufügen.

CODE	ITALIANO	ENGLISH	FRANCAIS	DEUTSCH
0031	GUARNIZIONE ø12 PU	SEAL	JOINT	DICHTUNG
0032A	RONDELLA ø12x24	WASHER	RONDELLE	STUTZSCHEIBE
0036	RONDELLA OTTONE ø11x23	BRASS WASHER	RONDELLE LAITON	MESSINGSCHEIBE
0037A	GUARNIZIONE ø11 NBR	SEAL	JOINT	DICHTUNG
0037B	GUARNIZIONE ø11 SIL	SEAL	JOINT	DICHTUNG
0037C	GUARNIZIONE ø11 VITON	SEAL	JOINT	DICHTUNG
0038	RONDELLA ø11x24	WASHER	RONDELLE	STUTZSCHEIBE
0038N	RONDELLA ø11x24 OTTONE NICHELATO	WASHER NICKEL- PLATED	RONDELLE NICKELE'	STUTZSCHEIBE VERNICKELN
0065A	GIUNTO F 3/8" x 12 PU	SWIVEL	RACCORD	VERSCHRAUBUNG
0065D	GIUNTO M 1/2" x 16 PU	SWIVEL	RACCORD	VERSCHRAUBUNG
0065EX	GIUNTO M 1/2" x 16 EPDM	SWIVEL	RACCORD	VERSCHRAUBUNG
0065VAX	GIUNTO M 1/2" x 16 VITON	SWIVEL	RACCORD	VERSCHRAUBUNG
0066A	GIUNTO F 1/4" x 11 NBR	SWIVEL	RACCORD	VERSCHRAUBUNG
0066A1	GIUNTO F 3/8" x 11 NBR	SWIVEL	RACCORD	VERSCHRAUBUNG
0066B(X)	GIUNTO F 3/8" x 11 SIL	SWIVEL	RACCORD	VERSCHRAUBUNG
0066C(X)	GIUNTO F 3/8" x 11 VITON	SWIVEL	RACCORD	VERSCHRAUBUNG
0125	RONDELLA D.16-24	WASHER	RONDELLE	STUTZSCHEIBE
0125OT	RONDELLA OTTONE ø16x24	BRASS WASHER	RONDELLE LAITON	MESSINGSCHEIBE
0136D	GUARNIZIONE D.16 PU	SEAL	JOINT	DICHTUNG
0136E	GUARNIZIONE D.16 EPDM	SEAL	JOINT	DICHTUNG
0136VA	GUARNIZIONE D.16 VITON	SEAL	JOINT	DICHTUNG
0212	RONDELLA OTTONE ø16x22	BRASS WASHER	RONDELLE LAITON	MESSINGSCHEIBE
0213	GUARNIZIONE D.16 SIL	SEAL	JOINT	DICHTUNG
0213V	GUARNIZIONE D.16 VITON	SEAL	JOINT	DICHTUNG
0238PU	GIUNTO M 1/2" x 16 PU	SWIVEL	RACCORD	VERSCHRAUBUNG
0238VAX	GIUNTO M 1/2" x 16 VITON	SWIVEL	RACCORD	VERSCHRAUBUNG
0238X	GIUNTO M 1/2" x 16 SIL	SWIVEL	RACCORD	VERSCHRAUBUNG
0238VAX	GIUNTO M 1/2" x 16 VITON	SWIVEL	RACCORD	VERSCHRAUBUNG
0238TX	GIUNTO M 1/2" x 16 VITON	SWIVEL	RACCORD	VERSCHRAUBUNG
0238XPU38	GIUNTO F 3/8" x 16 PU	SWIVEL	RACCORD	VERSCHRAUBUNG
0588CF(X)	MOZZO ACCIAIO D. 32	SHAFT	AXE	STHAL
0589	BOCCOLA NYLON D. 32	BUSH	BAGUE	NYLONBUCHSE
0016(X)(TX)	DADO M10	NUT M10	ECROU M10	MUTTER M10
0134(X)(TX)	DADO M8	NUT M8	ECROU M8	MUTTER M8
0155(X)(TX)	VITE TE M 10x20	SCREW M 10x20	VIS M 10x20	SCHRAUBE M10x20
0156(X)(TX)	RONDELLA D.10	WASHER D.10	RONDELLE D.10	RING D.10
0278(X)(TX)	RONDELLA D.8	WASHER D.8	RONDELLE D.8	RING D.8
0535	BOCCOLA	BUSH	BAGUE	BUCHSE
0536(X)(TX)	VITE TE M 8x35	SCREW M 8x35	VIS M 8x35	SCHRAUBE M 8x35
0537(X)(TX)	VITE TE M 8x25	SCREW M 8x25	VIS M 8x25	SCHRAUBE M 8x25
0538(X)(TX)	SUPPORTO MOD.VGL	SUPPORT MOD. VGL	SUPPORT MOD.VGL	HALTER MOD. VGL
0539(X)(TX)	STAFFA MOD. VGL	BRACKET MOD. VGL	ETRIER MOD. VGL	BUGEL MOD. VGL
0545 (X)	SUPPORTO MOD. VG	SUPPORT MOD. VG	SUPPORT MOD. VG	HALTER MOD. VG
0546 (X)	STAFFA MOD. VG	BRACKET MOD. VG	ETRIER MOD. VG	BUGEL MOD. VG

2.1 - DATI TECNICI VG-VGL / FICHES TECHNIQUES VG-VGL TECHNICAL DATA VG-VGL / TECHNISCHE DATEN VG-VGL





FLUIDO FLUID FLUIDE FLÜSSIGKEIT	MAX. 	CODICE CODE CODE ART. NR.	ENTRATA INLET ENTREE EINGANG	TUBO HOSE TUYAU SCHLAUCH	LUNGH. TUBO HOSE LENGTH LUNGU. TUYAU SCHLAUCHLANGE	 kg	 G	PRE LOAD 
GASOLIO DIESEL FUEL	10 Bar	VG203408STO	G 1" F	-	(3/4") 8 m	15 Kg	A (0636G)	4
		VGL203415STO	G 1" F	-	(3/4") 15 m	20 Kg		2
		VGL200115STO	G 1" F	-	(1") 10 m	20 Kg		2
		VG101908GO	G 1" F	19 x 27	8 m	20 Kg		4
		VGL101910GO	G 1" F	19 x 27	10 m	25 Kg		2
		VGL101915GO	G 1" F	19 x 27	15 m	25 Kg		2
VGL102510GO	G 1" F	25 x 35	10 m	25 Kg	2			
UREA SOLUTIONS - ACQUA FREDDA / COLD WATER	20 Bar	VG205820ST	Ø 19 mm	-	(ext. Ø 17) 20 m (ext. Ø 20) 15 m	15 Kg	B (0523A)	2
		VGL205825ST	Ø 19 mm	-	(ext. Ø 17) 25 m (ext. Ø 20) 20 m	20 Kg		2
		VG203408ST VGL203415ST	Ø 19 mm Ø 19 mm	- -	(3/4") 8 m (3/4") 15 m	15 Kg 20 Kg		4 2
UREA SOLUTIONS	10 Bar	VG101610ADB	Ø 19 mm	16 x 23	10 m	20 Kg	F(0065EX)	2
		VG101908ADB	Ø 19 mm	19 x 27	8 m	20 Kg	B (0523A)	4
		VGL101910ADB	Ø 19 mm	19 x 27	10 m	25 Kg		2
		VGL101915ADB	Ø 19 mm	19 x 27	15 m	25 Kg		2
ACQUA FREDDA COLD WATER	10 Bar	VG101320T	Ø 19 mm	12,5 x 17	20 m	20 Kg	B (0523A)	1
		VGL101325T	Ø 19 mm	12,5 x 17	25 m	25 Kg		2
		VGL101620T	Ø 19 mm	15 x 20	20 m	25 Kg		2
		VGL101625T	Ø 19 mm	15 x 20	25 m	25 Kg		2
		VG101615T	Ø 19 mm	15 x 20	20 m	20 Kg		2
		VGL101915T	Ø 19 mm	19 x 25	15 m	25 Kg		1
ARIA/AIR ACQUA / WATER	20 Bar	VG203408STA	G 1" F	-	(3/4") 8 m	15 Kg	D (0636GC)	4
		VGL203415STA	G 1" F	-	(3/4") 15 m	20 Kg		2
		VGL200115STA	G 1" F	-	(1") 10 m	20 Kg		2
ARIA / AIR AIR / LUFT	18 Bar	VGL181325	G 1/2" M	13 x 20	25 m	25 Kg	F (0065D)	1
		VGL181620	G 1/2" M	16 x 23	20 m	25 Kg		1
		VG181908	G 1" F	19 x 27	8 m	20 Kg	D (0636GC)	4
		VGL181910	G 1" F	19 x 27	10 m	25 Kg		2
VGL181915	G 1" F	19 x 27	15 m	25 Kg	2			
ACQUA / WATER EAU / WASSER 100°C Max	20 Bar	VGL601225STMX	G 1/2" M	-	(1/2") 25 m	20 Kg	F(0065VAX)	1
		VG203408STMX	G 1" F	-	(3/4") 8 m	15 Kg	D (0636GC)	4
		VGL203415STMX	G 1" F	-	(3/4") 15 m	20 Kg		2
ACQUA / WATER EAU / WASSER 70°C Max	10 Bar (70°C) 20 Bar (25°C)	VGL101620KMX	G 1/2" M	16 x 24	20 m	25 Kg	F(0065VAX)	2
		VG101908KMX VGL101915KMX	G 1" F G 1" F	19 x 27 19 x 27	8 m 15 m	20 Kg 25 Kg	D (0636GC)	4 2
BENZINA / PETROL ESSENCE / BENZIN	20 Bar	VG203408STBZ	G 1" F	-	(3/4") 8 m	15 Kg	D (0636GX)	4
		VGL203415STBZ	G 1" F	-	(3/4") 15 m	20 Kg		2
		VGL200115STBZ	G 1" F	-	(1") 10 m	20 Kg		2
OLIO / OIL HUILE / OEL	60 Bar	VGL601225	G 1/2" M	1/2"	25 m	25 Kg	F (0065D)	1
		VGL601225ST	G 1/2" M	-	(1/2") 25 m	20 Kg		1
		VGL603410	G 1" M	3/4"	10 m	25 Kg	E (0586)	2
		VGL603415	G 1" M	3/4"	15 m	27 Kg		3
		VGL600110	G 1" M	1"	10 m	27 Kg		3
	VGL603415ST	G 1" M	-	(3/4") 15 m	20 Kg	3		
VGL600115ST	G 1" M	-	(1") 10 m	20 Kg	3			
VG603408ST	G 1" M	-	(3/4") 8 m	15 Kg	4			
GRASSO / GREASE GRAISSE / FETT	400 Bar	VG4G3815	G 3/8" F	3/8"	15 m	20 Kg	F (0066A1)	2
		VG4G3815ST	G 3/8" F	-	(3/8") 15 m	15 Kg	F (0066A1)	2
ACQUA / WATER EAU / WASSER 150°C Max	250 Bar	VG2H1215ST	G 1/2" M	-	(1/2"-1SC) 15m	15 Kg	F (0238X)	5
		400 Bar	VGL4H3825	G 3/8" F	3/8" blue	25m	25 Kg	F (0066B)
	VGL4H3825ST		G 3/8" F	-	(3/8") 25m	20 Kg	1	
	VGL4H1224ST		G 1/2" M	-	(210bar 1SC) 24m (300bar 2SC) 20m	20 Kg	F (0238X)	3
VGL4H3825STMX	G 3/8" F	-	25m	20 Kg	F(0066BX)	1		

2.2 - DATI TECNICI VGX-VGLX / FICHES TECHNIQUES VGX-VGLX TECHNICAL DATA VGX-VGLX / TECHNISCHE DATEN VGX-VGLX

FLUIDO FLUID FLUIDE FLUSSIGKEIT	MAX. 	CODICE CODE CODE ART. NR.	ENTRATA INLET ENTRÉE EINGANG	TUBO HOSE TUAYAU SCHLAUCH	LUNGH. TUBO HOSE LENGHT LUNGU. TUAYU SCHLAUCHLANGE		G 	PRE LOAD 
GASOLIO DIESEL FUEL	10 Bar	VGLX101915GOMX VGLX102510GOMX	G 1" F G 1" F	19 x 27 25 x 35	15 m 10 m	28 Kg 28 Kg	D (0636GX)	2 2
UREA SOLUTIONS	20 Bar	VGX203408ST VGLX203415ST	Ø 19 mm Ø 19 mm	- -	(3/4") 8 m (3/4") 15 m	15 Kg 20 Kg	B (0523A)	4 2
ACQUA FREDDA COLD WATER	10 Bar	VGX101320T VGLX101325T VGX101615T VGLX101620T VGLX101625T VGLX101915T	Ø 19 Ø 19 Ø 19 Ø 19 Ø 19 Ø 19	12,5 x 17 12,5 x 17 15 x 20 15 x 20 15 x 20 19 x 25	20 m 25 m 15 m 20 m 25 m 15 m	20 Kg 25 Kg 20 Kg 25 Kg 25 Kg 25 Kg	B (0523A)	2 1 2 2 2 2
		VGX205820ST	Ø 19	-	(ext. Ø17) 20 m (ext. Ø20) 15 m	15 Kg		2
		VGLX205825ST	Ø 19	-	(ext. Ø17) 25 m (ext. Ø20) 20 m	20 Kg		2
ARIA / AIR AIR / LUFT ACQUA / WATER EAU / WASSER 100°C Max GASOLIO DIESEL FUEL OLIO / OIL HUILE / OEL	60 Bar	VGLX601225STMX	G 1/2" M	-	(5/8") 20 m	20Kg	F(0065VAX)	4
	20 Bar	VGX203408STMX VGLX203415STMX VGLX200115STMX	G 1" F G 1" F G 1" F	- - -	(3/4") 8 m (3/4") 15 m (1") 10 m	15 Kg 20 Kg 20 Kg	D (0636GX)	2 2 2
ARIA / AIR AIR / LUFT ACQUA / WATER EAU / WASSER 70°C Max	10 Bar (70°C)	VGLX101620KMX VGLX101325K VGLX101620K	G 1/2" M G 1/2" M G 1/2" M	16 x 24 13 x 20 16 x 23	20 m 25 m 20 m	25 Kg 25 Kg 25 Kg	F(0065VAX)	2 2 2
		20 Bar (25°C)	VGX101908KMX VGLX101910KMX VGLX101915KMX VGLX102510KMX	G 1" F G 1" F G 1" F G 1" F	19 x 27 19 x 27 19 x 27 25 x 34	8 m 10 m 15 m 10 m		20 Kg 25 Kg 25 Kg 25 Kg
	40 Bar	VGLX401325KH	G 1/2" M	13 x 20	25 m	25 Kg	F(0238VAX)	2
		ACQUA / WATER EAU / WASSER 90°C Max	VGLX101325KR VGLX101620KR	G 1/2" M G 1/2" M	13 x 20 16 x 23	25 m 20 m	25 Kg 25 Kg	F (0065VAX)
ACQUA / WATER EAU / WASSER 150°C Max OLIO / OIL HUILE / OEL	60 Bar	VGLX603415ST VGLX600115ST	G 1" M G 1" M	-	(3/4") 15 m (1") 10 m	22 Kg 22 Kg	E (0586)	2 2
ACQUA / WATER EAU / WASSER 150°C Max	250Bar	VGX2H1215ST	G 1/2" M	-	(1/2"-1SC)15 m	15 Kg	F (0238X)	5
	400Bar	VGLX4H3825 *VGLX4H3825X VGLX4H3825ST	G 3/8" F G 3/8" F G 3/8" F	3/8" 2SC 3/8" 2SC -	25 m 25 m 25 m	25 Kg 25 Kg 25 Kg	F (0066BX)	1 1 1
		VGLX4H1224ST	G 1/2" M	-	(210bar 1SC) 24m (300bar 1SC) 20m	25 m		F (0238X)

* Tubo con raccordi in acciaio inox / Hose with stainless steel fittings / Tuyau avec raccords en acier inoxydable / Schlauch mit Edelstahl-Armaturen

2.3 - DATI TECNICI VGLTX / FICHES TECHNIQUES VGLTX TECHNICAL DATA VGLTX / TECHNISCHE DATEN VGLTX

FLUIDO FLUID FLUIDE FLUSSIGKEIT	MAX. 	CODICE CODE CODE ART. NR.	ENTRATA INLET ENTRÉE EINGANG	TUBO HOSE TUAYAU SCHLAUCH	LUNGH. TUBO HOSE LENGHT LUNGU. TUAYU SCHLAUCHLANGE		G 	PRE LOAD 
ARIA / AIR AIR / LUFT ACQUA / WATER EAU / WASSER 150°C Max OLIO / OIL HUILE / OEL	60 Bar	VGLTX603415ST VGLTX600115ST	G 1" M	-	(3/4") 15 m (1") 10 m	22 Kg	E (0586TX)	2 2
ACQUA / WATER EAU / WASSER 150°C Max	400 Bar	VGLTX4H1225ST	G 1/2" M	-	(3/8") 25 m (1/2"-1SC) 24 m (1/2"-2SC) 20 m	22 Kg	F (0238TX)	2



Obbligo di conservazione del manuale

E' fatto obbligo di conservare codesto manuale in un luogo facilmente accessibile, a disposizione di tutti gli operatori

Obligation to preserve the manual

This manual must be kept in an easily accessible place, available to all operators.

Obligation de conservation de la notice

Il est obligatoire de conserver cette notice dans un endroit aisément accessible, à disposition de tous les opérateurs.

Erhaltungspflicht des Handbuchs

Man muss das Handbuch in einem leicht erreichbaren Ort erhalten, wo jede Arbeiter es verwenden kann.

FAICOM[®]
ITALY

Torino Renato Costruzioni Meccaniche

HEADQUARTER: Via Antica di Cuneo, 43

OFFICE & PRODUCTION: Via del Bosco, 7

12022 San Chiaffredo BUSCA (CN) • Italy

Tel. +39 0171 937152 • Fax +39 0171 937302

info@faicomitaly.com • www.faicomitaly.com



YMAN0007TEC